



LED Seamless VaporProof Fixture

High Efficiency Series

SHOP NOW >

ASD LED Seamless VaporProof Fixture are a modern contemporary lighting fixture widely used in many different commercial and residential environments. It has many features that make it the perfect choice for wet and dusty locations. They can be used in car washes, warehouses, parking garages, stairwells, pool areas, etc.

ASD LED Vaporproof fixtures will significantly reduce energy consumption and decrease your energy costs. They are very easy to install and are the perfect replacement for your existing fluorescent fixture. A polycarbonate body makes this fixture impact resistant and able to maintain its luster over time.

ASD LED Vaporproof fixtures are maintenance-free and produce bright, high quality light without shadows. Our affordable price makes it an ideal option for any commercial or residential application.



FEATURES AND BENEFITS:

- ▶ Contemporary design
- ▶ 3500K, 4000K & 5000K available
- ▶ High efficiency – 110 lm/Watt
- ▶ Low energy consumption
- ▶ Suitable for Wet Locations
- ▶ Surface mounted luminaire
- ▶ cULus certified
- ▶ DesignLights™ Consortium (DLC) listed
- ▶ LED lifetime >100,000 hrs
- ▶ 5-year limited warranty



ORDERING MATRIX:

Family	Modification	Lens	Size	Dimmable	Watts	CCT	Luminous Efficiency
ASD-LVP	2S	M	X	N	60	XX	HE
LED VaporProof		Translucent white lens	4 = 4 ft	Not dimmable	31 = 31 W	35 = 3500 K	High efficiency
			8 = 8 ft		60 = 60 W	40 = 4000 K	
						50 = 5000 K	



LED Seamless VaporProof Fixture

High Efficiency Series

LED VAPORPROOF FIXTURE:

Model	Size	Watts	Dimming	CCT	Lumens	Dimensions (L x W x H)
ASD-LVP2SM-4N3135HE	4 ft	31 W	no	3500 K	3 410 lm	48"x3.5"x3.2"
ASD-LVP2SM-4N3140HE	4 ft	31 W	no	4000 K	3 410 lm	48"x3.5"x3.2"
ASD-LVP2SM-4N3150HE	4 ft	31 W	no	5000 K	3 410 lm	48"x3.5"x3.2"
ASD-LVP2SM-8N6035HE	8 ft	60 W	no	3500 K	6 600 lm	94.5"x3.5"x3.2"
ASD-LVP2SM-8N6040HE	8 ft	60 W	no	4000 K	6 600 lm	94.5"x3.5"x3.2"
ASD-LVP2SM-8N6050HE	8 ft	60 W	no	5000 K	6 600 lm	94.5"x3.5"x3.2"

PRODUCT SPECIFICATIONS:

Construction & Materials					
Weight	<table border="0"> <tr> <td>ASD-LVP2SM-4N3135HE ASD-LVP2SM-4N3140HE ASD-LVP2SM-4N3150HE</td> <td>ASD-LVP2SM-8N6035HE ASD-LVP2SM-8N6040HE ASD-LVP2SM-8N6050HE</td> </tr> <tr> <td>4.6 lb (2.1 kg)</td> <td>7 lb (3.2 kg)</td> </tr> </table>	ASD-LVP2SM-4N3135HE ASD-LVP2SM-4N3140HE ASD-LVP2SM-4N3150HE	ASD-LVP2SM-8N6035HE ASD-LVP2SM-8N6040HE ASD-LVP2SM-8N6050HE	4.6 lb (2.1 kg)	7 lb (3.2 kg)
ASD-LVP2SM-4N3135HE ASD-LVP2SM-4N3140HE ASD-LVP2SM-4N3150HE	ASD-LVP2SM-8N6035HE ASD-LVP2SM-8N6040HE ASD-LVP2SM-8N6050HE				
4.6 lb (2.1 kg)	7 lb (3.2 kg)				
Lens	Translucent white lens				
Housing	Polycarbonate housing (PC)				
Finish Color	White				

Environmental System	
Work Environment	Suitable for Wet Locations, IP66
Operating Temperature	-4~104°F (-20~40°C)
LED lifetime	>100,000 hrs

Optical System				
Actual Luminous Flux	ASD-LVP2SM-4N3135HE	3 425 lm	ASD-LVP2SM-8N6035HE	6 904 lm
	ASD-LVP2SM-4N3140HE	3 450 lm	ASD-LVP2SM-8N6040HE	6 960 lm
	ASD-LVP2SM-4N3150HE	3 505 lm	ASD-LVP2SM-8N6050HE	7 020 lm
Luminous Efficacy	110 lm/w			
Color Temperature	3500 K, 4000 K, 5000 K			
CRI	80			



LED Seamless VaporProof Fixture

High Efficiency Series

Electrical System		
Input Voltage	100~277VAC 50/60 Hz	
Off State Power	0 W	
Power Consumption	ASD-LVP2SM-4N3135HE ASD-LVP2SM-4N3140HE ASD-LVP2SM-4N3150HE	ASD-LVP2SM-8N6035HE ASD-LVP2SM-8N6040HE ASD-LVP2SM-8N6050HE
	31 W	60 W
Power Factor	≥ 0.9	
THD	< 20%	
Output voltage	30-42 V	
Max current	700 mA	

Warranty & Certifications	
5-year limited warranty	
DesignLights™ Consortium (DLC) listed	
cULus certified	E473804 – luminaire E473855 – driver



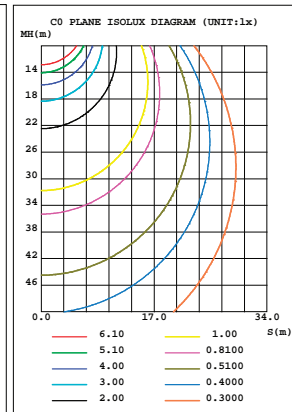
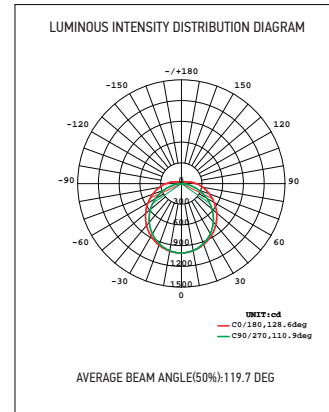
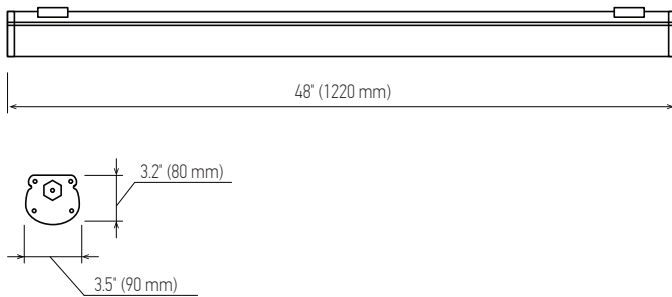
LED Seamless VaporProof Fixture

High Efficiency Series

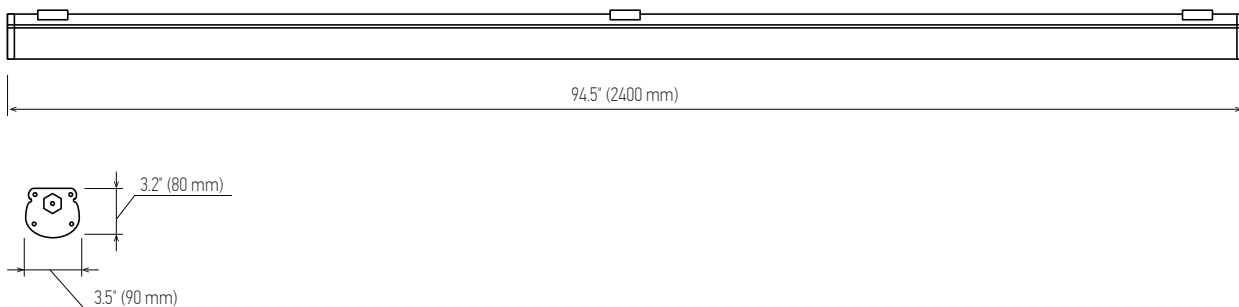
LED VAPORPROOF FIXTURE ORDERING INFORMATION:

Model	Size	Watts	CCT	GTIN 12	GTIN 14	Product Code	Pcs in one Carton	Carton Size	Carton Weight
ASD-LVP2SM-4N3135HE	4 ft	31 W	3500 K	855029006478	10855029006475	023.0112	9	51"x12"x11"	49 lbs
ASD-LVP2SM-4N3140HE	4 ft	31 W	4000 K	855029006485	10855029006482	023.0113	9	51"x12"x11"	49 lbs
ASD-LVP2SM-4N3150HE	4 ft	31 W	5000 K	855029006492	10855029006499	023.0114	9	51"x12"x11"	49 lbs
ASD-LVP2SM-8N6035HE	8 ft	60 W	3500 K	859961005728	10859961005725	023.0109	4	98"x8.3"x7.5"	34.9 lbs
ASD-LVP2SM-8N6040HE	8 ft	60 W	4000 K	859961005735	10859961005732	023.0110	4	98"x8.3"x7.5"	34.9 lbs
ASD-LVP2SM-8N6050HE	8 ft	60 W	5000 K	859961005742	10859961005749	023.0111	4	98"x8.3"x7.5"	34.9 lbs

4 ft



8 ft





LED Seamless VaporProof Fixture

High Efficiency Series

⚠ WARNING

RISK OF PERSONAL INJURY – READ and follow all WARNINGS and installation instructions.

Keep or give to the owner for future reference.

Risk of cuts: Wear gloves to prevent cuts or abrasions when removing from carton, handling, installing, and maintaining this product.

Risk of electric shock: This product must be installed in accordance with the applicable installation code by a person familiar with the construction and operation of the product and the hazards involved.

Risk of Fire: Minimum 90°C supply conductors. Consult a qualified electrician to ensure correct branch circuit conductor.

ASD® assumes no responsibility for claims arising out of improper or careless Installation or handling of this product.

⚠ AVERTISSEMENT

RISQUE DE BLESSURES - Lisez et suivez toutes les MISES EN GARDE et les instructions d'installation.

Tenir ou fournir au propriétaire pour référence future.

Risque de coupures: Porter des gants pour éviter les coupures ou des écorchures lors du retrait du carton, de la manutention, l'installation et le maintien de ce produit.

Risque de choc électrique: Ce produit doit être Installé conformément au code d'installation applicable par une personne familiarisée avec la construction et l'exploitation du produit et les risques impliqués.

Risque d'incendie: minimum 90° C Alimentation conducteurs. Consultez un électricien qualifié pour assurer le bon conducteur de circuit de dérivation.

ASD® n'assume aucune responsabilité pour les réclamations découlant d'une installation inadéquate ou négligente ou de la manipulation de ce produit.

⚠ ADVERTENCIA

RIESGO DE LESIONES PERSONALES – Lea y siga todas las advertencias e instrucciones de instalación.

Mantener o proporcionar al propietario para referencia futura.

Riesgo de cortes: Use guantes para evitar cortes o abrasiones en la eliminación de la caja, manejo, instalación y mantenimiento de este producto.

Riesgo de choque eléctrico. Este producto debe ser instalado de acuerdo con el código de Instalación aplicable en que una persona familiarizada con la construcción y operación del producto y los riesgos involucrados.

Riesgo de Incendio: Mínimo 90° C los conductores de suministro. Consulte a un electricista calificado para asegurarse el conductor correcto del circuito.

ASD® no asume ninguna responsabilidad por reclamaciones derivadas de una instalación inadecuada o negligente o la manipulación de este producto.



LED Seamless VaporProof Fixture

High Efficiency Series

INSTALLATION GUIDE

IMPORTANT SAFETY INFORMATION:

Please read all the instructions below before installation.

- ▶ Make sure that the supply voltage corresponds to the rated product voltage.
- ▶ The product must be installed by a qualified electrician in accordance with the National Electrical Code and corresponding local codes.
- ▶ If the product is damaged, do not use it.
- ▶ All wiring connections should be capped with UL approved wire connectors.
- ▶ For surface mount there are two stainless steel brackets included.
- ▶ This fixture is intended to be connected to a properly installed and grounded UL listed junction box with suitable strain relief means for power cord. The junction box is not included, should be purchased separately.

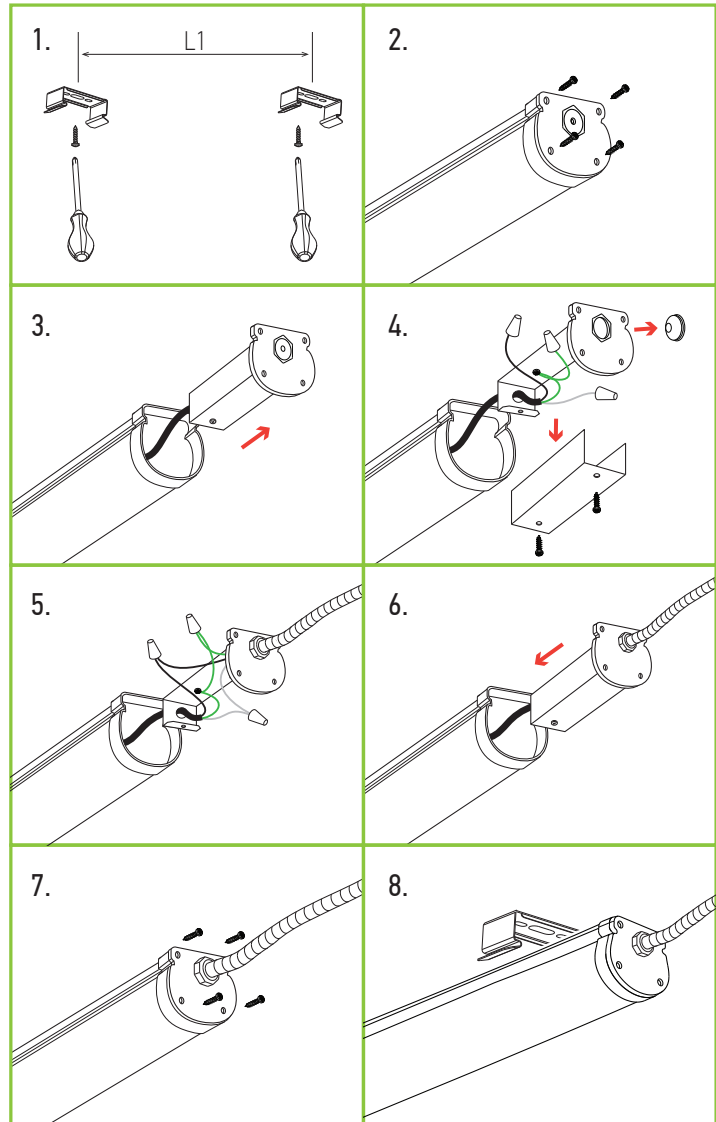


LED Seamless VaporProof Fixture

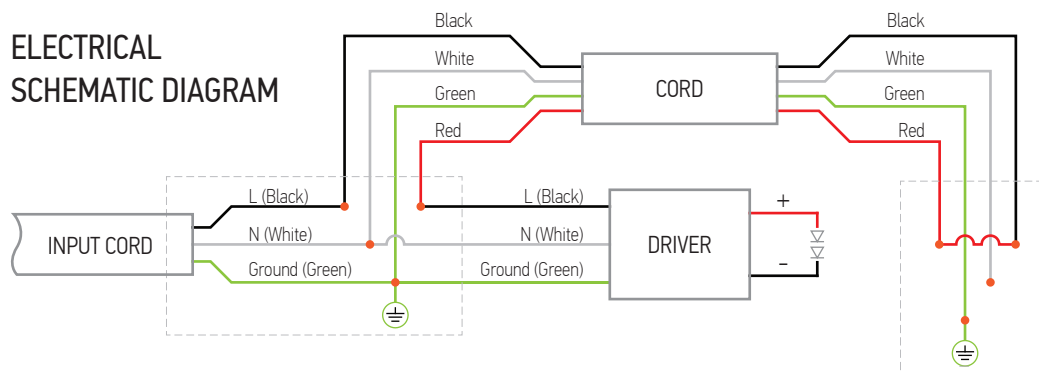
High Efficiency Series

INSTALLATION STEPS

1. Affix the mounting brackets to the ceiling/wall.
Distance between the brackets (L1) should be 90.2" (2290 mm) \pm 1.2" (30 mm)
2. Remove four screws of the end-cap.
3. Pull out the end-cap with junction box.
4. Remove the cover of the junction box and remove the gasket.
5. Insert the power cord in to the junction box.
6. Close the cover of the junction box and insert it into the fixture.
7. Tighten the screws of the end-cap.
8. Affix the fixture to the ceiling/wall by mounting brackets.



ELECTRICAL SCHEMATIC DIAGRAM





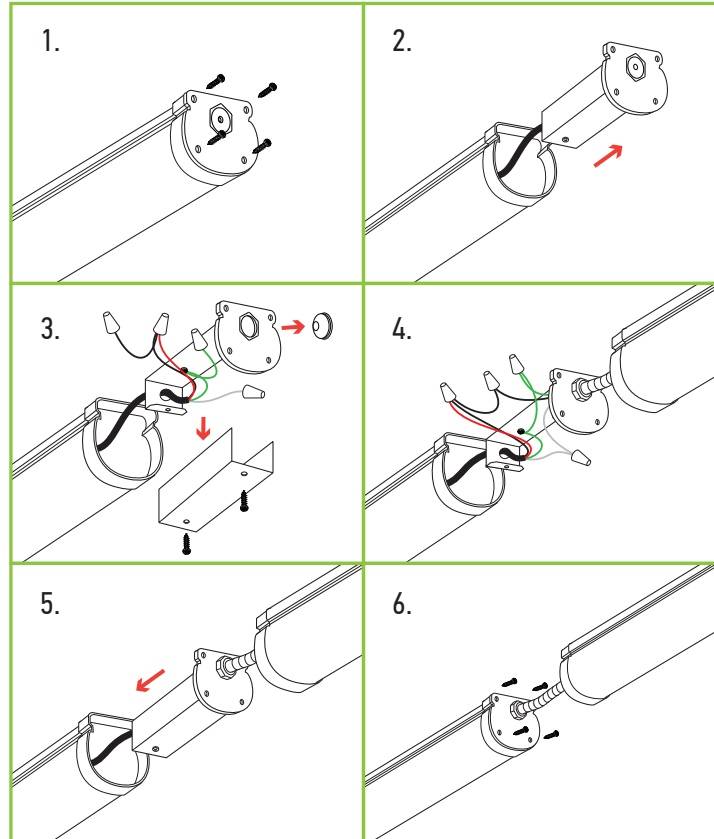
LED Seamless VaporProof Fixture

High Efficiency Series

CONNECTING MULTIPLE FIXTURES TO ONE SWITCH

1. Remove four screws of the end-cap.
2. Pull out the end-cap with junction box.
3. Remove the cover of the junction box and remove the gasket.
4. Insert the power cord of linked luminaire in to the junction box.
5. Close the cover of the junction box and insert it into the fixture.
6. Tighten the screws of the end-cap.

- ▶ Maximum 10 pcs of 31 W luminaire can be connected in one line.
- ▶ Maximum 8 pcs of 60 W luminaire can be connected in one line.



ELECTRICAL SCHEMATIC DIAGRAM FOR CONNECTING MULTIPLE FIXTURES

