

Project _____

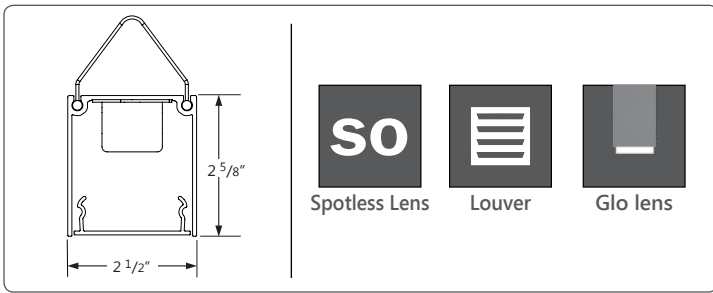
Type _____

Notes _____

PERFORMANCE PER LINEAR FOOT AT 3500K

NOMINAL LUMEN OUTPUT	INPUT WATTS*	EFFICACY	SHIELDING
1000 lm/ft	9.9 W/ft	97 lm/W	L

Please consult factory for custom lumen output and wattage.



Ordering Guide

B2SQDLED		PRODUCT ID		NOM. LUMENS/FT	CRI	COLOR TEMP.	SHIELDING
B2SQDLED	Pendant Direct LED	400	400 lm/ft	80	80 CRI	27	SO spotless lens
		500	500 lm/ft	90	90 CRI	30	L louver ⁽¹⁾
		750	750 lm/ft			35	0.25G 0.25" Glo lens
		1000	1000 lm/ft *			40	
Outputs between listed min and max are available. Consult factory for outputs outside of the listed range. * For louver only							SurroundLite not available with direct (1) Available in 3' and 4' combinations; otherwise consult factory.

LENGTH	MR (OPTIONAL)	FINISH	VOLTAGE	DRIVER	CIRCUITS
2 2'	M11LED(#) MR 11 LED	AP aluminum paint	120 120 V	DP dimming (0-10V) 1%	1 1 circuit
3 3'		W white	277 277 V	D dimming (0-10V) 5% 347V standard ⁽³⁾	2 2 circuits
4 4'		BLK black	347 347 V ⁽²⁾	LT Lutron ⁽⁴⁾	+E(#) emergency circuit ⁽⁶⁾
5 5'		C custom	UNV universal	BI bi-level dimming	+NL(#) night light circuit ⁽⁶⁾
6 6'				O other ⁽⁵⁾	+GTD(#) generator transfer device ⁽⁶⁾
8 8'					+M MR
12 12'					
S# system run	Add 9" per lamp. Specify quantity. Separate circuits included. Requires 120V or 277V		(2) D dimming (0-10V) 5% standard	(3) For 347 V only (4) Specify system (5) Please consult factory; see page 2	(6) Specify quantity

MOUNTING/SUSPENSION	BATTERY (OPTIONAL)	OTHER (OPTIONAL)	IC CONTROLS (OPTIONAL)	CUSTOM (OPTIONAL)
CA(#) drywall+cable length (36" std.) CT9(#) TB/TG 9/16+cable length (36" std.) CT15(#) TB/TG15/16+cable length (36" std.) CTS(#) ST+cable length (36" std.) SA(#) drywall+stem length >48" (18" std.)	B# battery pack (integral)	F fuse	DS# daylight sensor OS# occupancy sensor DOS# daylight & occupancy sensor EN# Enlighted integral ⁽⁷⁾ ENR# Enlighted remote ⁽⁷⁾	C custom
White canopy standard	Requires 120V or 277V Minimum 4ft; please consult factory	Requires 120V or 277V	(7) Please consult factory Specify quantity. Requires 8" blank See pages 5-6 for more details	Please specify

● SPECIFICATIONS

CONSTRUCTION

Housing	Extruded aluminum (0.075" nominal) Up to 70% recycled content
End Cap	Cast aluminum
Interior Brackets	Die formed sheet steel (20 gauge)
Reflectors	White powder coated sheet steel (22 gauge)
Louvers	Die formed semi-specular aluminum (22 gauge)
Lenses	Extruded acrylic (0.070" nominal)
Hanger	Die formed sheet steel (16 gauge)
Suspension	Aircraft cable or Ø 1/2" stem
Cable Grips	Quick connecting / release

● ELECTRICAL

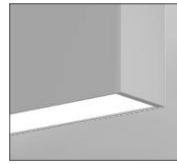
Lutron driver	L3D - Hi-Lume A-Series EcoSystem 3-Wire Control (1%) LDE1 - EcoSystem H-Series (1%) LDE5 - EcoSystem 5-Series (5%) LTE - Hi-Lume® A-series 2Wires Forward Phase (1%)
Other drivers	DALI - Digital Addressable Lighting Interface DMX - Digital Multiplex LV - line voltage - Advance Mark 10 Xitanium SR - For wireless sensor
Emergency	Integral emergency battery pack or emergency circuit optional.
Input Voltage	120V, 277V, 347V, UNV.

i Incorporating these components may have limitations or affect the length of the luminaire. Please contact factory for more details.

● LED SYSTEM

CRI	Minimum 80 or 90 color rendering index.
CCT	Choice of 2700K, 3000K, 3500K and 4000K color temperature with a great color consistency (within 3-step MacAdam ellipse). Both within fixture and fixture to fixture.
LED life	Minimum 50,000h with 85% of lumen maintenance in 25°C ambient temperature, in compliance with IES LM-80 testing measurements.
Thermal Management	Aluminum housing acting as the heat sink to maximize life.
Environment	Dry and damp rated in operating ambient temperatures of 0-40°C (32-104F).
Louver LED	Individual for LED cluster in each louver cell.

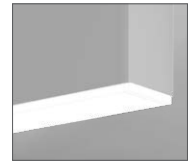
● OPTICS



SO spotless lens



L Louver



0.25G Glo lens

SPOTLESS LENS

Frosted acrylic snap-in micro lens.

PARABOLIC LOUVERS

Die formed semi-specular aluminum (22 gauge).

GLO LENS

0.25" frosted acrylic drop lens. Patented design.

● SYSTEM (S#)

BEAM2 SQUARE linear systems, with the use of a strong profile, allow for a nearly hair thin connection system of continuous runs. Lengths of 4', 8', 12' as well as custom lengths are available. Runs of BEAM2 SQUARE that are greater than 12' in length are designated as systems (S#). This means that the run is comprised of a combination of 4', 8' and/or 12' sections to be assembled on site using our joining system. For more information on systems and joining, please refer to the BEAM2 installation sheets available for download at www.axislighting.com.

● WARRANTY

Axis Lighting will warrant defective LEDs, boards, and drivers for 5 years from date of purchase. Warranty is valid if luminaire is installed and used according to specifications. If defective, Axis will send replacement boards or drivers at no cost along with detailed replacement instructions and instructions on how to return defective components to Axis.

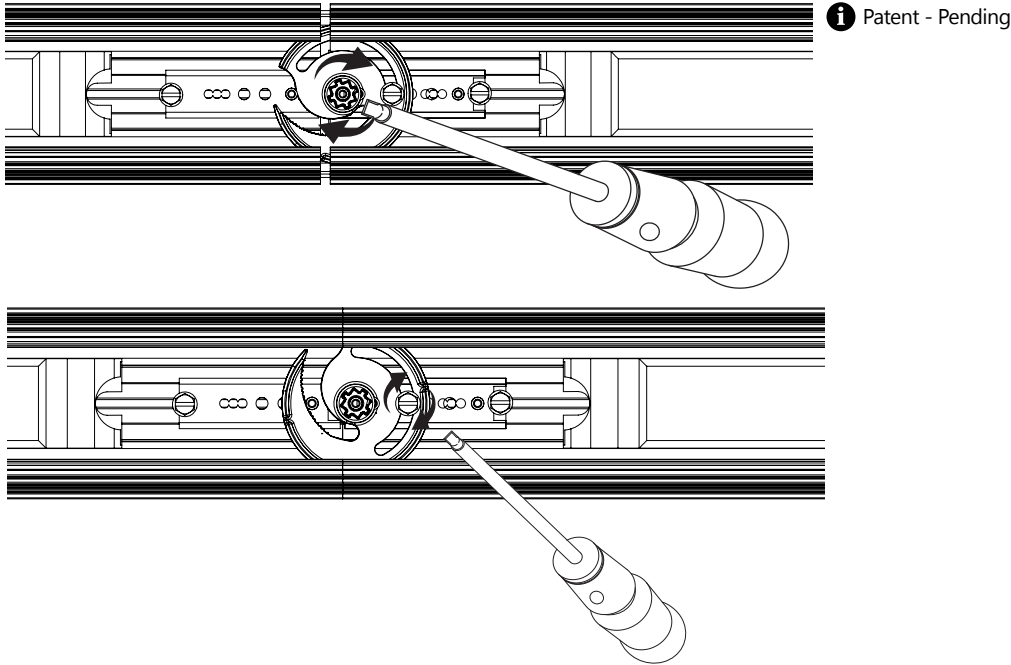
● InstaJoiner

TWIN BEAM2 SurroundLite luminaires feature InstaJoiner, a unique, patent-pending joining system developed by Axis offering fast, single-screw tightening.

NOTE: Mount each system segment individually.

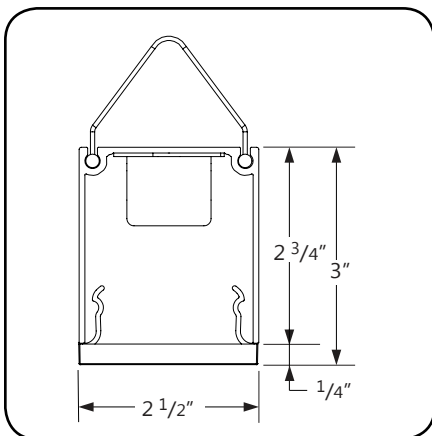
Do not assemble system prior to mounting

i Allow a minimum of 6" between end of long runs and wall.

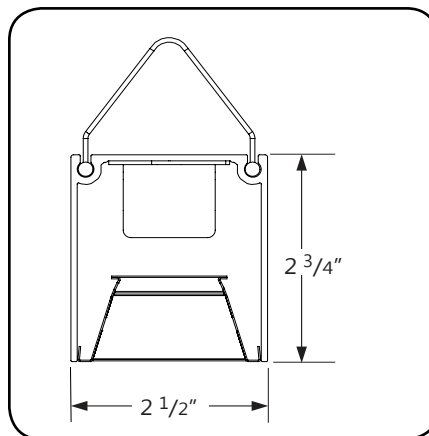


● SECTION VIEWS

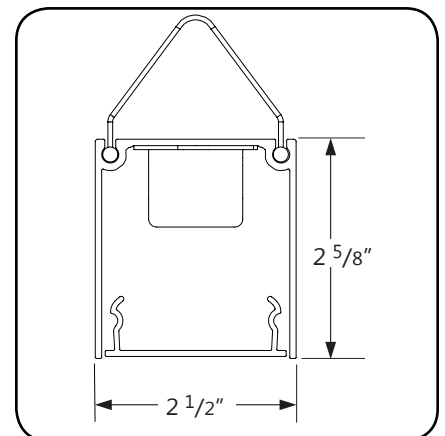
0.25G 0.25" Glo lens



L Louver

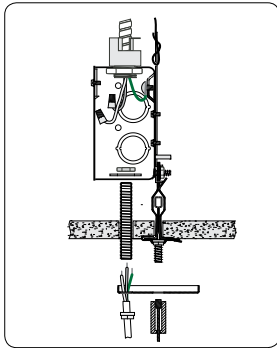


SO Spotless lens

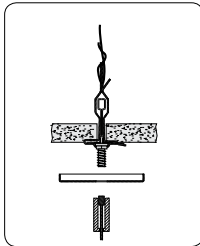


● MOUNTING OPTIONS

CT TILE CEILING - ON GRID

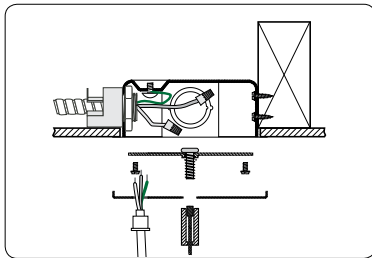


Power feed

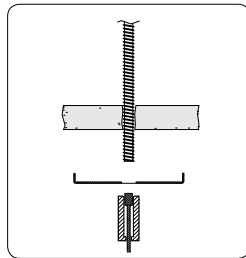


Non power feed

CA DRYWALL CEILING

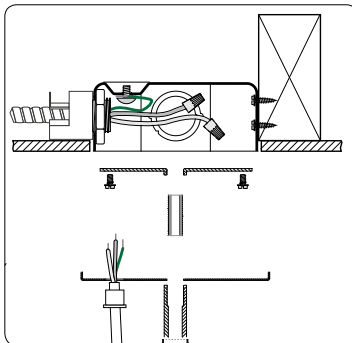


Power feed

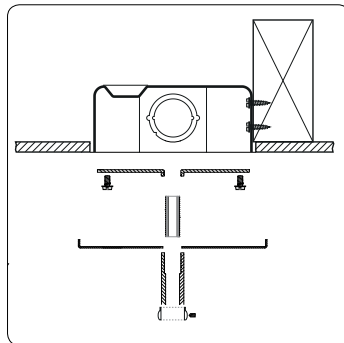


Non power feed

SA STEM MOUNT IN DRYWALL CEILING



Power feed



Non power feed

● OTHER MOUNTING OPTIONS

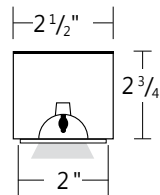
BEAM2 SQUARE is also available as Surface or Wall Mount.

i Specification sheets and installation sheets for all mountings for BEAM2 SQUARE luminaires are available for download at www.axislighting.com.

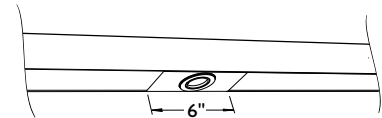
● MR11 LED LAMPS

Blank Extruded aluminum (0.075" nominal)
MR11 LED 1.4" diameter
Quantity For every 4' section, there may be up to a maximum of 4 x MR11 LED lamps.
Spacing Each MR11 LED lamp is placed centered on a blank section 6" in length.

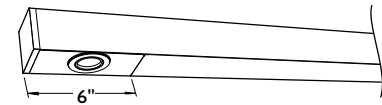
For a series of MR11's within a given section length, they will be spaced evenly on a longer blank section. The directed light of MR11 LED lamps are fixed downward. Custom spacing may be available on special request.



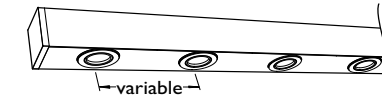
Between sections



At luminaire ends



Several in a long blank section



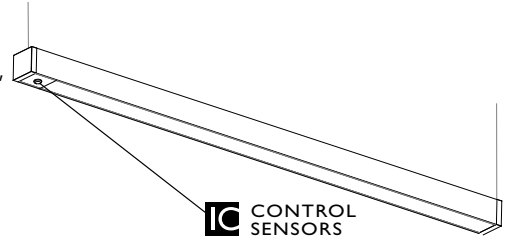
Beam Angle	45 nominal degrees
Input Watts	3W
Nominal Lumens	50 lumens
Efficacy	17 lumens per watt
Color Rendering Index (CRI)	80
Life	25,000 hours at L ₇₀
Correlated color temperature (CCT)	2700K

i More options are available upon request. Please consult factory.

● INTEGRATED CONTROLS

BEAM2 SQUARE luminaires allow the use of integrated controls such as daylight sensors (DS), occupancy sensors (OS) and combination daylight/occupancy sensors (DOS). These options can be seamlessly integrated into our luminaires. The control system could be used to optimize the lighting of the space by reducing energy consumption through daylight harvesting and occupancy, thereby improving the overall interior environment and allowing for LEED credits.

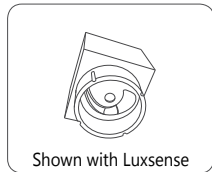
- Consult factory for other options.



The integrated control systems offered are:

● DAYLIGHT HARVESTING (DS):

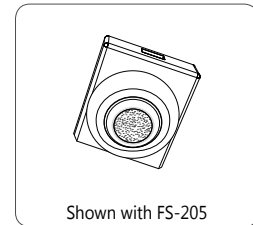
With Daylight sensors, maximum lamp output is reduced according to the available amount of natural light. By reducing maximum lamp output, energy consumption is reduced by up to 20 percent in a process known as "Daylight Harvesting".



EC-DIR-WH, FD-301
Luxsense, Micro Luxsense

● OCCUPANCY (OS):

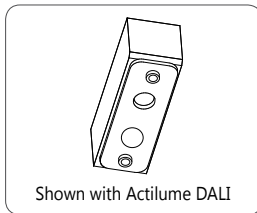
When a room is vacated, occupancy sensors ensure the light will be turned off after a programmed delay as well as ensuring that light remains on while the room is occupied.



FS-205, FS-355,
FS-155 - Line Voltage
FS-505, FS-505C

● DAYLIGHT HARVESTING AND OCCUPANCY (DOS):

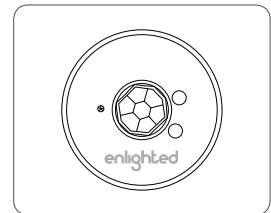
ACTILUME, a combination of Daylight & Occupancy sensor from Philips, along with a 0-10V or DALI driver can be used in one form factor.



Actilume 1-10V
Actilume DALI

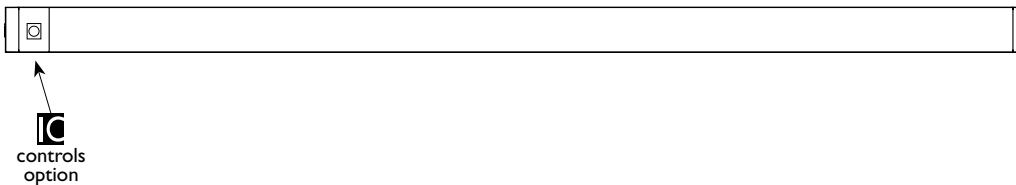
● ENLIGHTED INTEGRAL (EN) / ENLIGHTED REMOTE (ENR):

A combination of Daylight, Occupancy & Temperature autonomously control illumination levels, monitor occupancy and environmental conditions. Data is transmitted wirelessly to the Enlighted networked management system.



● INSTALLATION EXAMPLE

Sensor location option



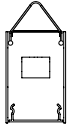
* Incorporating IC controls may affect the length of the luminaire. Please contact factory for more details.

● INTEGRATED CONTROL OPTIONS

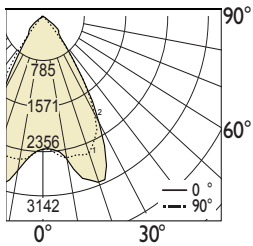
SENSORS	BRAND	Model	TYPE
Daylight Sensor (DS)	Lutron	EC-DIR-WH	Daylight, IR
	Wattstopper	FD-301	Daylight
	Philips	Luxsense, LR1220/00	Daylight
	Philips	Micro Luxsense	Daylight
	Wattstopper	LS-102	Light Saver (Ambient light level)
Occupancy Sensor (OS)	Wattstopper	FS-205v2	PIR Occupancy & Ambient light level
	Wattstopper	FS-355 (need lenses)	PIR Occupancy & Ambient light level
	Wattstopper	FS-155	PIR Occupancy & Ambient light level
	Wattstopper	FS-505	Ultrasonic Occupancy (Staircase)
	Wattstopper	FS-505C	Ultrasonic Occupancy (Open Area)
	Wattstopper	FM-105	High Frequency Occupancy (Wet)
	Lutron TriPak Wireless	LRF2-OCR2B-P-WH	PIR Occupancy
	Lutron	LOS-CDT	Ultrasonic Occupancy + PIR
Daylight & Occupancy Sensors (DOS)	Philips	Actilume, LR11655	Daylight & PIR Occupancy
	Wattstopper	FS-305 (need Lenses)	PIR Occupancy
	Wattstopper	FS-305 RC	PIR Occupancy & Ambient light level
	Creston	GLS Series	Daylight and/or PIR Occupancy
	Echoflex	MOS Series	Daylight and/or PIR Occupancy
Enlighted sensor (EN, ENR)	Enlighted integral / remote	SU-3E-00	Daylight, Occupancy & Temperature

● PHOTOMETRIC DATA

1000 lm/ft



PHOTOMETRIC CURVE



Lumen/ft: 1000 lm/ft
Total Lumens: 3854 lm (for 4ft)
Input Watts: 39.6 W
Efficacy: 97 lm/W

IES FILE: B2SQDLED-0-1000-80-35-L-4.IES

TESTED ACCORDING TO IES LM-79-2008

80 CRI shown. To calculate watts and efficacy at 90 CRI, apply a multiplier of 0.8.

CANDELA DISTRIBUTION

Vertical Angle	Horizontal Angles				
	0	22.5	45	67.5	90
0	2297	2297	2297	2297	2297
5	2356	2348	2337	2321	2312
15	2483	2504	2693	2915	2904
25	2322	2513	3107	3055	2851
35	1290	1752	2342	1633	1320
45	194	307	658	478	428
55	32	48	76	175	250
65	6	8	13	17	20
75	2	2	3	5	5
85	0	1	1	1	1
90	0	0	0	0	0

ZONAL LUMENS

Zone	Lumens
0	
0-10	228
10-20	768
20-30	1260
30-40	1073
40-50	397
50-60	106
60-70	19
70-80	4
80-90	1
90	

LUMINANCE DATA (cd/m²)

Vertical Angle	Horizontal Angles		
	0	45	90
45	4597	15642	10171
55	949	2223	7334
65	219	521	807
75	110	208	312
85	77	154	212