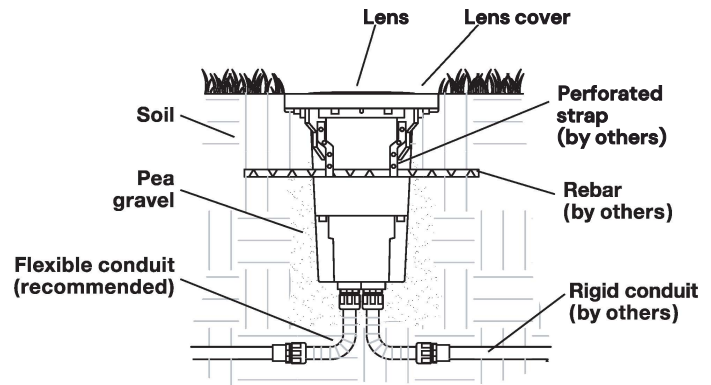


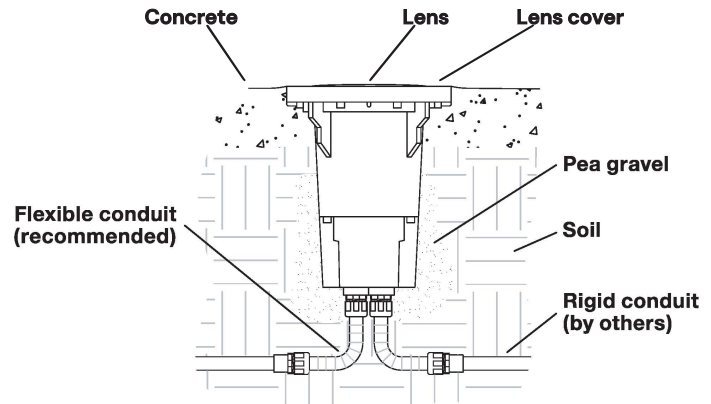
In-Grade Soil Installation:

1. Dig hole approximately 36" deep by 24" in diameter.
 2. Install conduit through 1/2" or 3/4" NPT holes in bottom of luminaire using Teflon tape or other thread sealant. Using plug, seal unused conduit entry if required.
- NOTE:** Housing rim must be flush to 1/8" above finish grade to prevent water from accumulating on cover.
- NOTE:** For a more secure installation, rebar bracing is recommended. Drill a hole for a 1/4" bolt and nut in two of the stiffeners located on the side of the luminaire. Attach perforated strap (plumber's tape) to the drilled holes with 1/4" nuts and bolts (by others). See illustration.
- NOTE:** UL listed flexible conduit is recommended for in and out connections to ease fixture position and adjustment during installation.
 3. Backfill hole after installation with pea gravel or sand. Do not backfill with bark or other flammable materials.
 4. Pull supply wires (line in), through conduit into luminaire wire compartment.
 5. Connect green ground wire from luminaire and green ground wire from box to green supply wire.
 6. Wire luminaire as required using silicone filled safety connectors.
 7. Seal wiring compartment as indicated in wiring instructions.



Concrete Pour Installation:

1. Follow instructions 1 and 2 of in-ground installation instructions above.
 2. Support luminaire in selected position using standard masonry procedures.
- NOTE:** UL listed flexible conduit is recommended for in and out connections to ease fixture position and adjustment during installation.
- NOTE:** When installing in concrete, housing rim must be flush to 1/8" above grade to promote water runoff.
3. Pull supply wires (line in), through conduit into luminaire wire compartment.
 4. Connect green ground wire from luminaire and green ground wire from box to green supply wire.
 5. Wire luminaire as required using silicone filled safety connectors.
 6. Pour concrete at least 2" thick.
 7. Install lamp with correct wattage and type marked on the fixture.
 8. Replace silicone rubber gasket and cover and tighten screws evenly.
- NOTE:** Failure to remove all dirt and debris from gasket sealing surface may cause leakage and void the warranty.



Sealing Wiring Compartment:

1. Use Mastic to seal the conduit entries from inside wire compartment, to ensure the sealant (see below) does not flow down the conduit.
 2. Push wire nut connectors to the bottom of the wiring compartment.
 3. Remove Sealant Pouch from protective cover. Grasp both sides of the sealant pouch and pull until there is no barrier between both solutions in the pouch.
 4. Mix the sealant by alternately squeezing each end of the sealant pouch, moving the sealant back and forth until the solutions are completely mixed together.
 5. Cut off the corner of the sealant pouch and immediately pour into the wiring compartment, covering the wire nuts. Allow the sealant to dry for approximately 20 minutes.
 6. Replace silicone rubber gasket and cover, and tighten screws.
 7. Supply power to the luminaire and check for proper operation.
 8. Install lamp with correct wattage and type marked on the fixture label and set lamp at desired aiming angle.
 9. Replace silicone rubber gasket and cover and tighten screws evenly.
- NOTE:** Failure to remove all dirt and debris from gasket sealing surface may cause leakage and void the warranty.

NOTE: FAILURE TO PROPERLY WIRE AND ENCAPSULATE WIRE COMPARTMENT WILL VOID PRODUCT WARRANTY.

