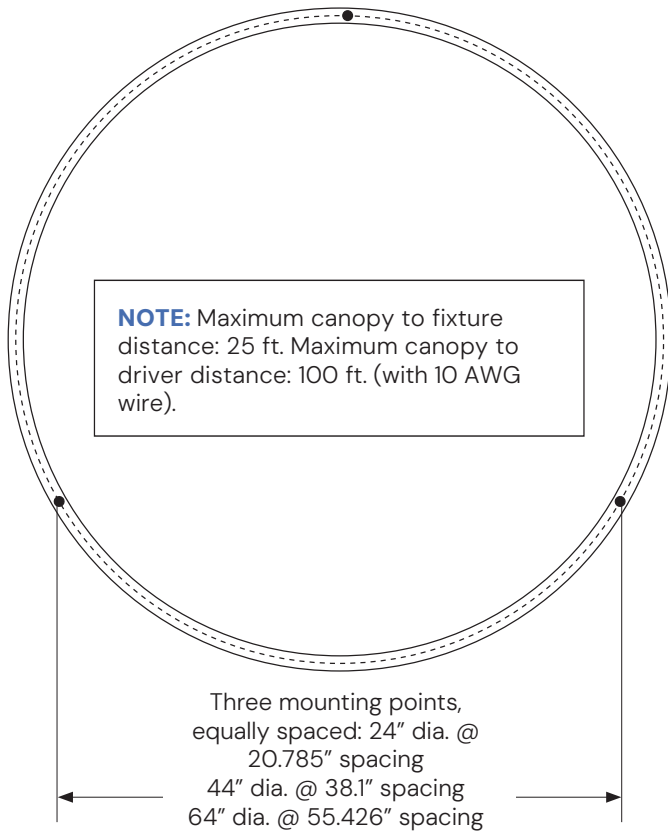
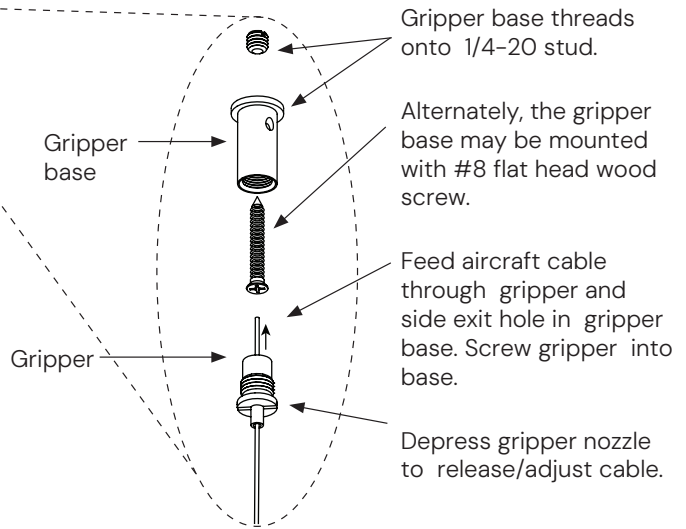
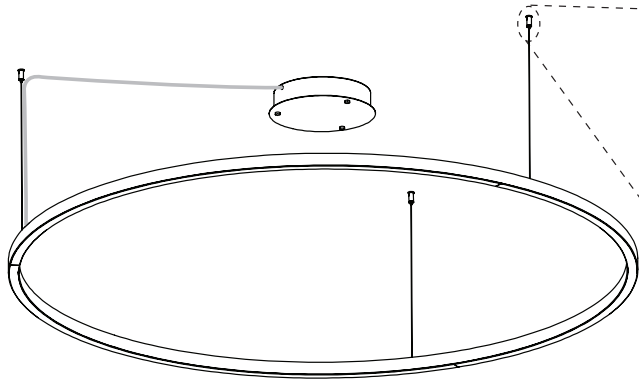


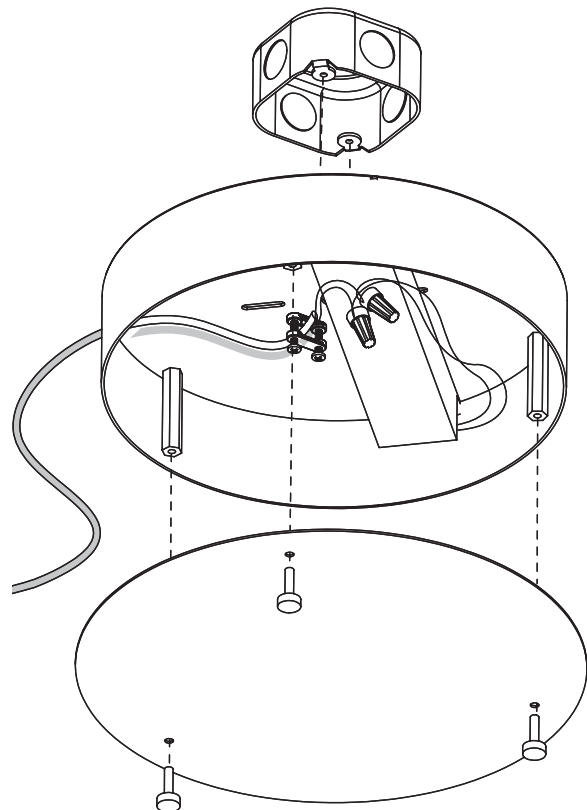
CIRCLINE STANDARD INSTALLATION INSTRUCTIONS

⚠ WARNING

Disconnect main power at the source prior to installation! Only qualified electricians should install Alcon Lighting products.



Mount driver housing to octagonal box or mud ring. Wire up drivers to line voltage on primary side. Feed lamp cord through side of housing, secure with screw-down strain relief. Wire up according to wiring diagram, left.



Circline wiring:

Red to 24VDC positive
Blue to 24VDC negative

Dimming:

Purple and Gray wires from driver to 0-10V dimmer, cap if not used.