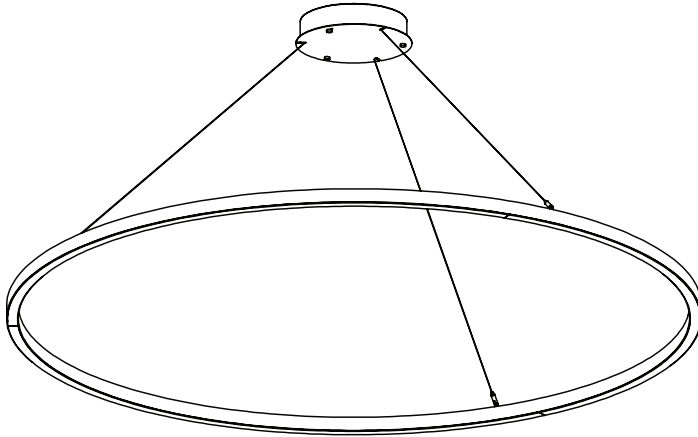


CIRCLINE MEDIAL INSTALLATION INSTRUCTIONS

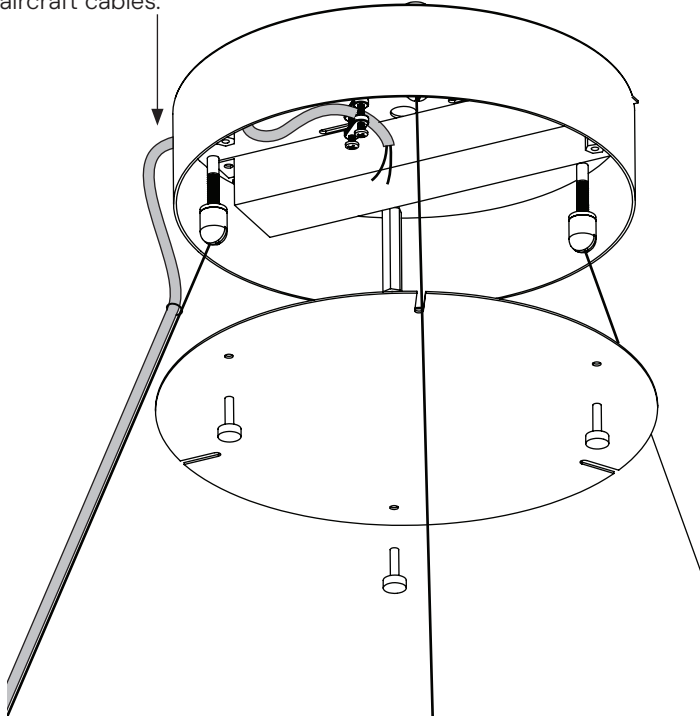
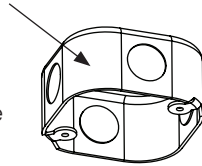
⚠ WARNING

Disconnect main power at the source prior to installation! Only qualified electricians should install Alcon Lighting products.



Mount canopy to octagonal box, J-box, or mud ring (by others).

Feed lamp cord through side of canopy. Use provided O-rings or cable ties to run cord alongside aircraft cables.



Polarity must be correct for LEDs to operate.

NOTE: Maximum canopy to fixture distance: 25 ft.

Circline wiring:

Red to 24VDC positive
Blue to 24VDC negative

Dimming:

Purple and Gray wires from driver to 0-10V dimmer, cap if not used.

Insert cable ends into grippers. Depress gripper nozzle to release/adjust cable.

After final adjustments, leave approximately 1 inch of cable out of exit hole.

