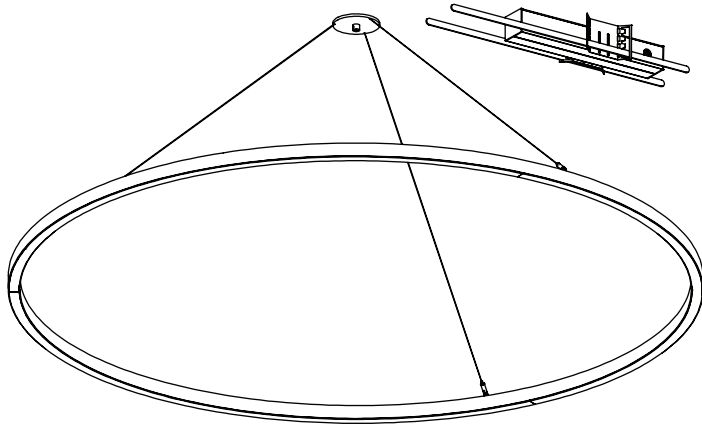


CIRCLINE MEDIAL REMOTE INSTALLATION INSTRUCTIONS

⚠ WARNING

Disconnect main power at the source prior to installation! Only qualified electricians should install Alcon Lighting products.



Circline wiring:

Red to 24VDC positive
Blue to 24VDC negative

Dimming:

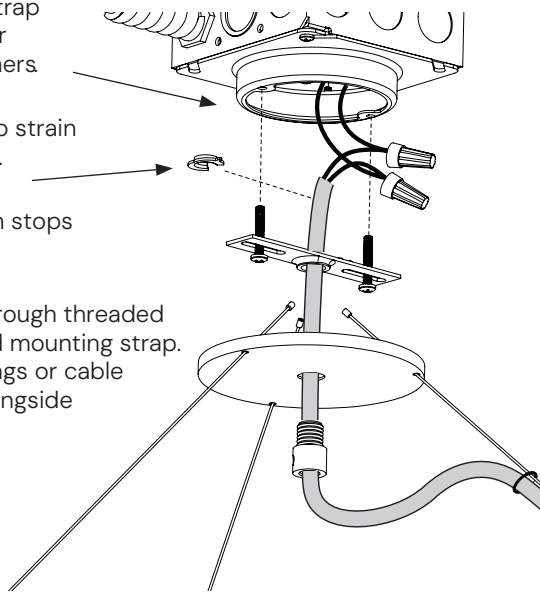
Purple and Gray wires from driver to
0-10V dimmer, cap if not used.

Attach mounting strap to octagonal box or 3" mud ring (by others)

Use provided crimp strain relief on lamp cord.

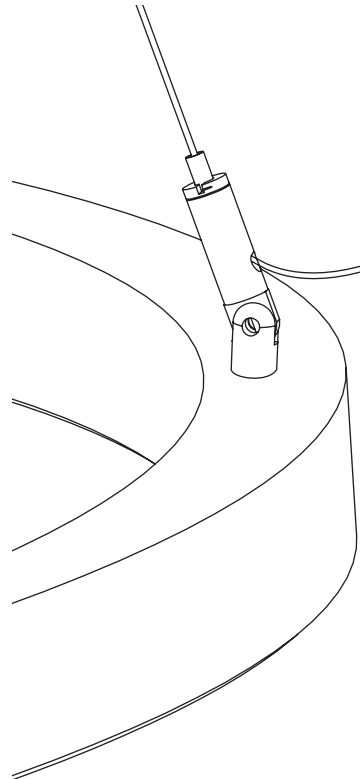
Aircraft cables with stops inside canopy.

Feed lamp cord through threaded nipple, canopy, and mounting strap. Use provided O-rings or cable ties to run cord alongside aircraft cables.



Insert cable ends into grippers. Depress gripper nozzle to release/adjust cable.

After final adjustments, leave approximately 1 inch of cable out of exit hole.



NOTE: Maximum canopy to fixture distance: 25 ft.
Maximum canopy to driver distance: 100 ft. (with 10 AWG wire)

