

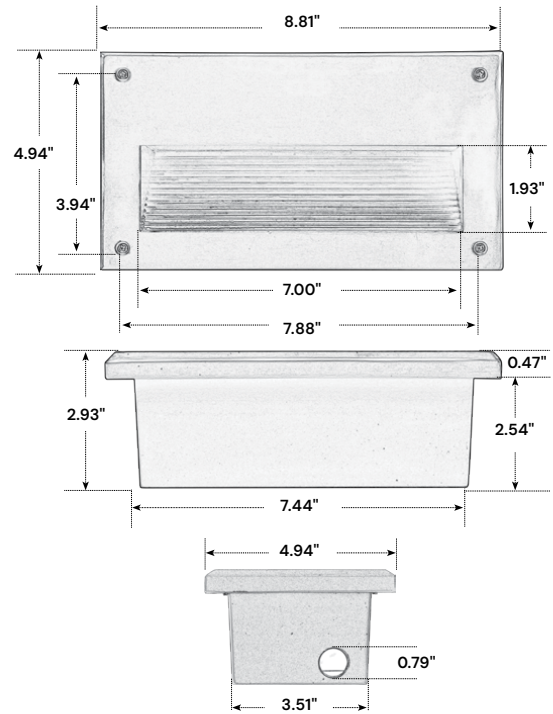
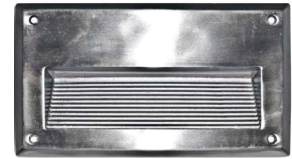
Project Name: _____ Type: _____ Quantity: _____

INTENDED USE

Suitable for residential and commercial applications, including modern homes, parking garages, and office complexes, this recessed brick, step, and wall light is designed for seamless integration into brick, step, or wall surfaces. Its durable construction ensures longevity and resistance to the elements, making it ideal for both indoor and outdoor use. Available in multiple finishes, it offers versatility to complement various architectural styles while providing reliable, recessed illumination.

FEATURES

- Construction:** Cast Aluminum
- Lens:** Heat Resistant Tempered Frosted Glass
- Wattage:** 7W & 9W
- Color Temperature:** 3000K & 6500K
- Lumens:** 600 lm (30K) - 650 lm (65K) & 800 lm (30K) - 850 lm (65K)
- Voltage:** 84-264V
- Life:** 50,000 Hours
- Warranty:** 1 Year Carefree for Parts & Components. (Labor Not Included)
- Listing:** ETL Approved for Wet Location



Alcon Lighting 9607 Recessed Wall-Mounted LED Steplight



ORDERING INFORMATION Example:

Model	Watts		Color Temp		Finish	
9607	7	7W	30K	3000K	WH	White
	9	9W	65K	6500K	BK	Black
					BZ	Bronze