

Project Name: _____ Type: _____ Quantity: _____

INTENDED USE

The Flag-Pole Narrow Beam Landscape Flood Light is designed for precise, high-intensity illumination of vertical elements such as flagpoles, monuments, and architectural features. Its focused beam supports clear visibility for signage, landscape accents, and security applications, delivering controlled light exactly where it's needed. Built for outdoor environments, the fixture integrates seamlessly into exterior settings, offering a durable and discreet solution for highlighting key elements within commercial and civic spaces.

FEATURES

Construction: Metal housing with a sealed, potted interior finish (Dark Bronze) for enhanced durability

Lens: Plaid Tempered Glass + Aluminum Reflectors

Mounting: 1/2" threaded knuckle stem for secure and adjustable mounting

Cord Type: 18" SJTW 18/3 AWG cable

Voltage: 120-277

Wattage: 84W

Lumens: 9000 lm

Beam Spread: 24°

CRI: 80+

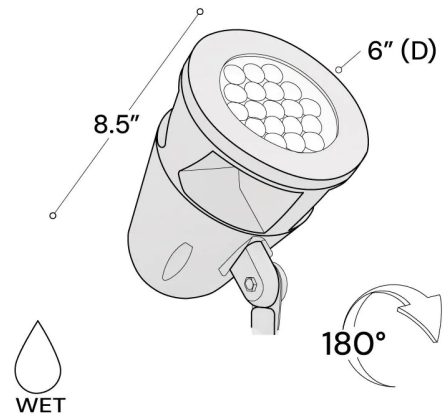
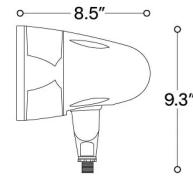
Life: 70,000 Hours

Power Factor: >0.9

Operating Temperature: -40°F to 122°F

Listing: IP65. Wet location rated

Warranty: 7 years carefree for parts & components (Labor not included)



ORDERING INFORMATION Example:

Model	Finish	Color Temp
9171	BK Black BZ Bronze	30K 3000K 50K 5000K

Alcon Lighting 9171 Flag-Pole Narrow Beam Landscape Flood Light

COLOR TEMPERATURE GUIDE

2700K	3000K	3500K	4000K	5000K
WARM WHITE	SOFT WHITE GLOW	NEUTRAL GLOW	COOL WHITE GLOW	DAYLIGHT GLOW
friendly personal intimate	soft warm pleasing	sociable inviting non-threatening	neat clean efficient	bright cool alert
HOMES LIBRARIES RESTAURANTS	HOMES HOTEL ROOMS LOBBIES RETAIL STORES	EXECUTIVE OFFICES RECEPTION AREAS SUPERMARKETS	OFFICES CLASSROOMS MASS MERCHANTISERS SHOWROOMS	GRAPHICS INDUSTRY HOSPITALS GALLERIES BEAUTY SALONS
X	✓	X	X	✓