

Project Name: _____ Type: _____ Quantity: _____

INTENDED USE

The Architectural Solar LED Bollard Light provides sustainable pathway and site illumination for commercial, hospitality, campus, and landscape applications. Powered by an integrated solar panel and rechargeable battery system, the fixture eliminates the need for trenching or line-voltage wiring for simplified installation. Its durable aluminum construction, integrated LED light source, and 360° illumination deliver reliable exterior performance with low maintenance. Suitable for wet locations, the bollard automatically charges during the day and activates at dusk for efficient nighttime lighting

FEATURES

Construction: Corrosion resistant aluminum for exterior. Flat top with Cone Reflector & Frosted Lens

Charging Time: 8>Hours

Operating Time: Normal Mode 11 Hours, Intelligent Mode 2-3 Days

Wattage: 3W. Solar pannel 5W

Voltage: 120~277V

Power Factor: >0.9

Efficacy: 130 LPW

Operating Temperature: -40°F to 113°F

Lumen Output: 390 lm Max.

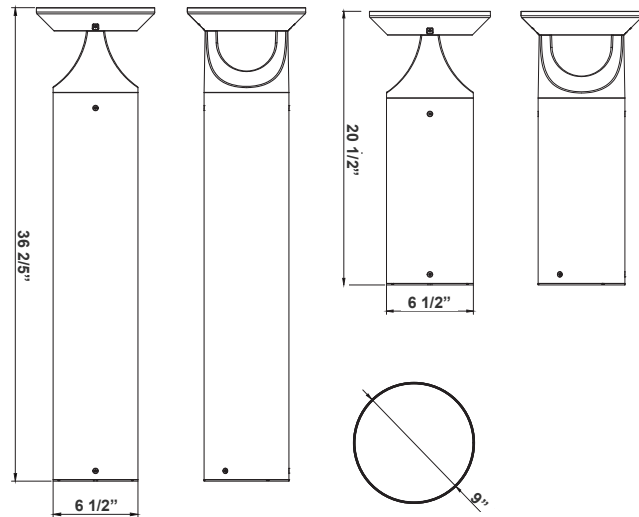
CRI: 70+

Beam Angle: 360°

Life: 70000 Hours

Listings: IP65, Wet Location

Warranty: 7 years carefree for parts & components (Labor not included)



36 2/5 "(H) x 6 1/2"(W) x 9"(D)
20 1/2 "(H) x 6 1/2"(W) x 9"(D)

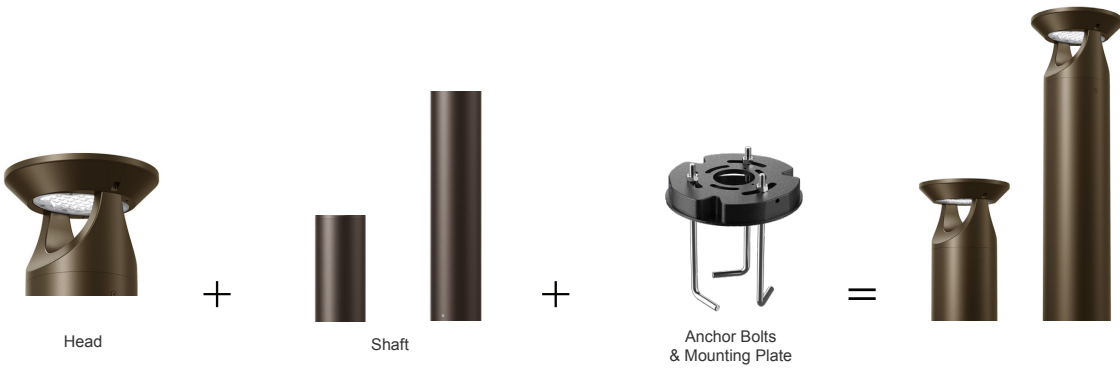
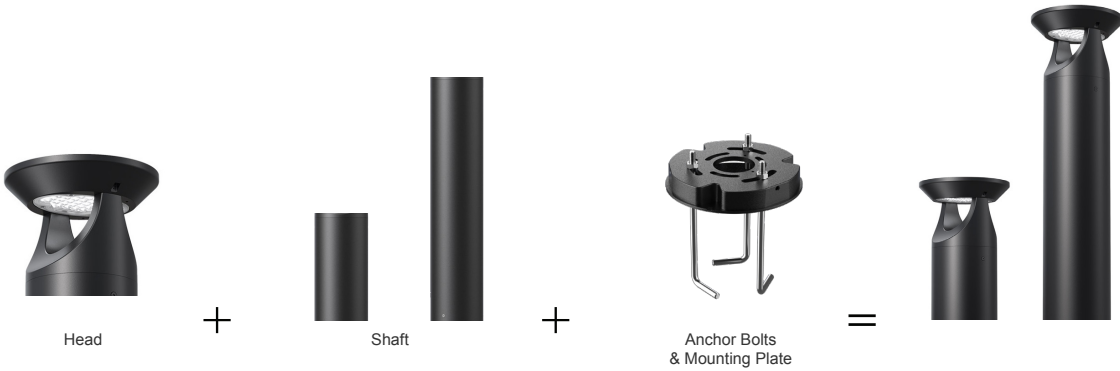


ORDERING INFORMATION Example:

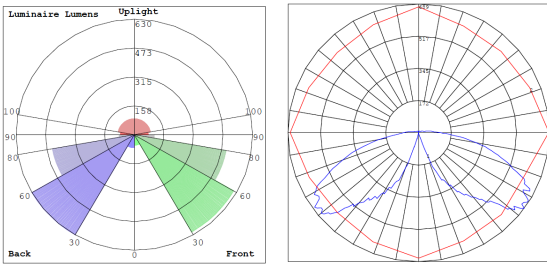
Model	Height	Finish	Color Temp	Options
9082-SOL	20IH 20-Inch 36IH 36-Inch	BK Black BZ Bronze	30K 3000K 40K 4000K	RC-SOL Remote Control ABMP Anchor Bolts & Mounting Plate

Alcon Lighting 9082-SOL Architectural Solar LED Bollard Light

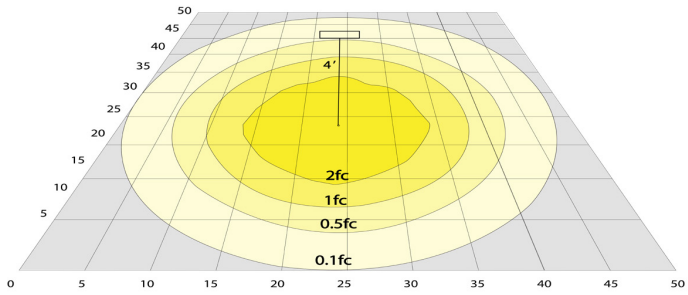
STRUCTURAL DESIGN



PHOTOMETRY



BUD Rating: B1-U3-G2



OPTIONS



Anchor Bolts & Mounting Plate

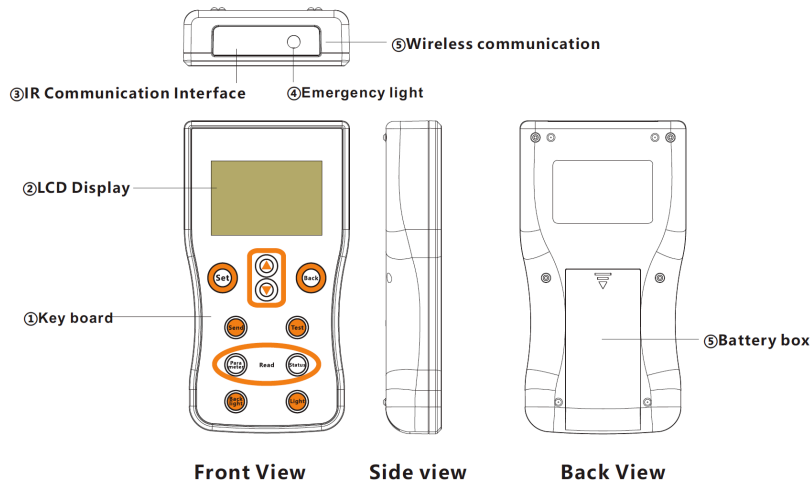


Remote Control

ELECTRICAL INFORMATION

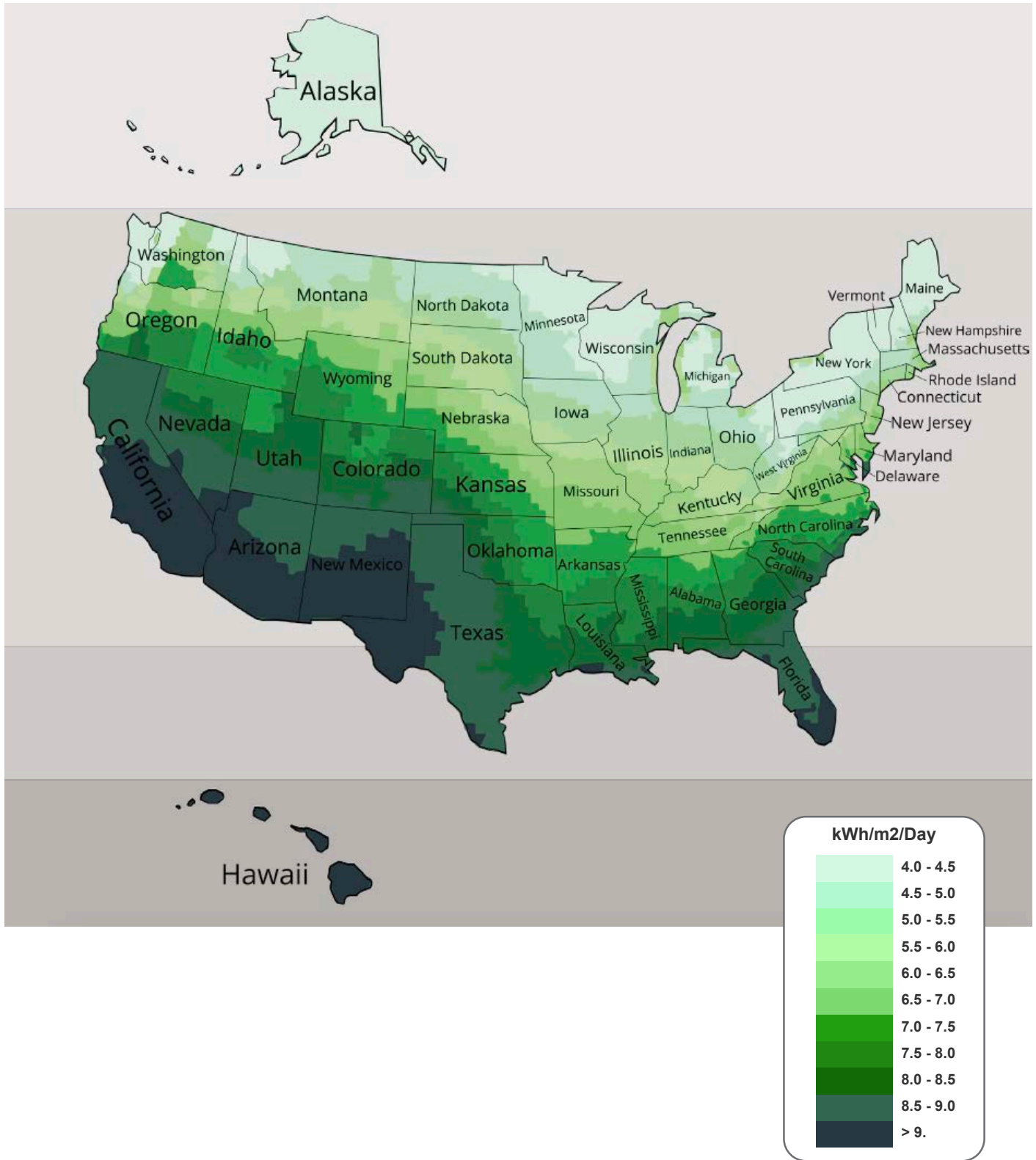
Solar Panel Wattage	5W							
Charging Time	8>Hours							
Operating Time	Normal Mode> 11 Hours, Intelligent Mode 2-3 Days							
Working Mode	Lighting Scheme	Time 1	Time 2	Time 3	Time4	Time 5	Energy Consumption	Working Hours In Rainy Day
	1 (Factory Default)	6H x 30%	0H x 100%	0H x 100%	TOT x 0%	1H x 30%	7.4Wh	4-5 Days
	2	6H x 30%	6H x 30%	0H x 100%	0H x 0%	0H x 100%	12.6Wh	3-4 Days
	3	6H x 50%	6H x 30%	0H x 100%	0H x 0%	0H x 100%	16.8Wh	2-3 Days
	4	4H x 70%	4H x 30%	4H x 30%	0H x 0%	0H x 100%	18.2Wh	1-2 Days
	5	4H x 100%	2H x 50%	0H x 100%	0H x 0%	0H x 100%	17.5Wh	2-3 Days
	6	2H x 50%	4H x 30%	0H x 100%	TOT x 20%	1H x 30%	12.3Wh	3-4 Days
	7	4H x 80%	2H x 30%	0H x 100%	TOT x 0%	1H x 80%	16.1Wh	2-3 Days

REMOTE CONTROL INSTRUCTIONS



Key Name	Function	Long press key function
Set	Parameter setting/ confirmation	Press "Set" and "Light" key to lock or unlock the parameters
▲	1.Menu Page Up 2.Increase the setting data	Continuous increase the setting data
▼	1.Menu Page Down 2.Decrease the setting data	Continuous decrease the setting data
Back	Return to the menu / exit	Press "Set" and "Back" key to enter the communication selection interface
Send	Send Parameters	_____
Test	Test the setting	_____
Read	Parameter	Read Parameters
	Status	Read running status
Backlight	Turn on the LCD backlight	Press "Backlight" and "Back" key to enter or exit the transport mode
Light	1.Open the emergency lighting 2.SOS lights switch	Press "Light" and "Set" key to lock or unlock the parameters

SOLAR RADIATION



COLOR TEMPERATURE GUIDE

2700K	3000K	3500K	4000K	5000K
WARM WHITE	SOFT WHITE GLOW	NEUTRAL GLOW	COOL WHITE GLOW	DAYLIGHT GLOW
friendly personal intimate	soft warm pleasing	sociable inviting non-threatening	neat clean efficient	bright cool alert
HOMES LIBRARIES RESTAURANTS	HOMES HOTEL ROOMS LOBBIES RETAIL STORES	EXECUTIVE OFFICES RECEPTION AREAS SUPERMARKETS	OFFICES CLASSROOMS MASS MERCHANTISERS SHOWROOMS	GRAPHICS INDUSTRY HOSPITALS GALLERIES BEAUTY SALONS
X	✓	X	✓	X