

INTENDED USE

This fiberglass LED well light features an open face cover to maximize light with a tempered glass lens but no grill. The tempered glass is designed to protect from environmental and abrasive salty, oceanfront conditions. Suitable for soil or concrete. The in-ground light functions in almost any location.

FEATURES

Dia 6.75" x **W** 6.75" x **H** 8.1"

Construction: Corrosion-resistant fiberglass

Installation: Rated for in-ground soil and concrete applications

Lens: Clear, heat-resistant, tempered glass

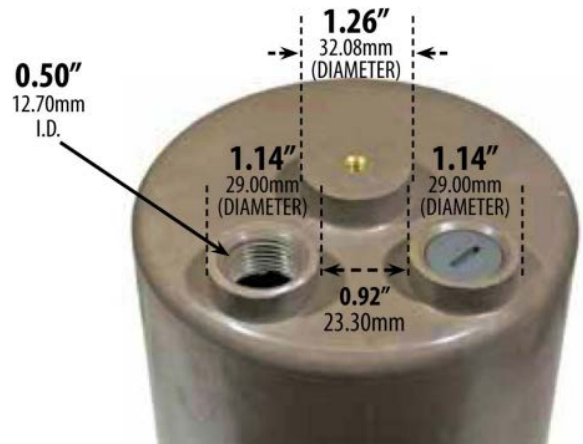
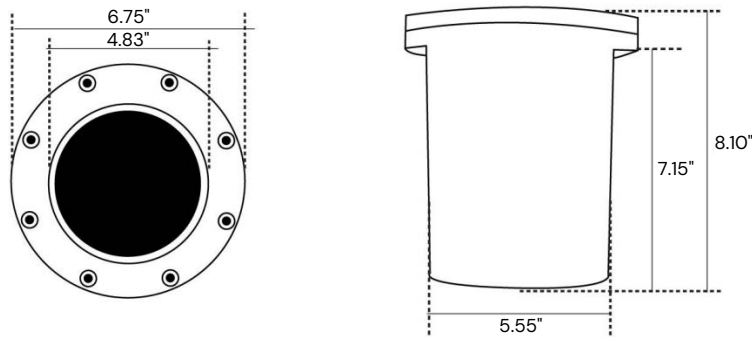
Finish: Bronze

Beam Spread: 120°

RGBW Controller: Bluetooth via Smart Life - Smart Living mobile app (available for [iOS](#) and [Android](#) devices)

Life: 35,000 Hours

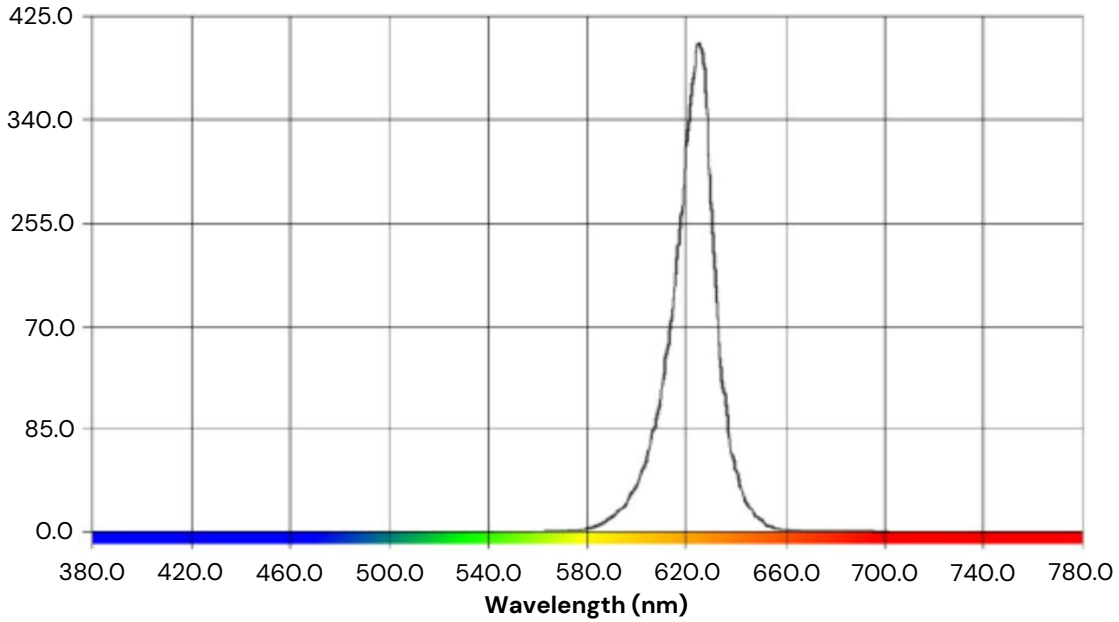
Listing: cETLus, Marine-Grade, Assembled in the USA, IP65



ORDERING INFORMATION Example:

Model	Lamp Type	Color Temperature
9042	RGBW RGBW 15W 1300 lms 120° Beam Spread 120V TUF Turtle Friendly 15W 450 lms 40° Beam Spread 120V B25 White 12.5W 1200 lms 25° Beam Spread 120-277V B40 White 12.5W 1200 lms 40° Beam Spread 120-277V	(Blank) RGB + W (27-64K) (Blank) 630nm Turtle Friendly 27K 27K 30K 30K 40K 40K 50K 50K

Turtle Friendly Wavelength Chart



Color Temperature Guide

COLOR TEMPERATURE GUIDE

 2700K WARM WHITE friendly personal intimate HOMES LIBRARIES RESTAURANTS 	 3000K SOFT WHITE GLOW soft warm pleasing HOMES HOTEL ROOMS LOBBIES RETAIL STORES 	 3500K NEUTRAL GLOW sociable inviting non-threatening EXECUTIVE OFFICES RECEPTION AREAS SUPERMARKETS 	 4000K COOL WHITE GLOW neat clean efficient OFFICES CLASSROOMS MASS MERCHANTISERS SHOWROOMS 	 5000K DAYLIGHT GLOW bright cool alert GRAPHICS INDUSTRY HOSPITALS GALLERIES BEAUTY SALONS 
---	--	---	---	---