

### INTENDED USE

This Architectural Outdoor LED Bollard Pathway Light offers a perfect blend of durability, efficiency, and contemporary design, making it ideal for building entrances, pathways, pedestrian areas, and sidewalks. Its rugged die-cast housing ensures long-lasting performance, while the polycarbonate lens provides 360° uniform illumination for enhanced visibility and safety. Featuring an optional emergency battery backup for added reliability, this energy-efficient bollard delivers exceptional versatility and scalability, making it a smart choice for various outdoor lighting applications.

### FEATURES

- Construction:** Die-cast aluminum with a robust ground cage pre-buried installation
- Lens:** Polycarbonate enclosure optic 360° illumination
- Color Temperature:** 30/40/50K Selectable switch
- CRI:** 80+
- Voltage:** Universal 120-277 VAC
- Dimming Driver:** 0-10V dimming driver down to 10%
- Wattage Adjustable:** 24W, 19W, 14W, 10W
- Power Factor:** ≥90%
- Total Harmonic Distortion:** <20%
- Operating Temperature:** -40°F (-40°C) to 113°F (45°C)
- Life:** 50,000 Hours based on IES LM-80 results and TM-21 calculations
- Optional Emergency Battery:** 8 Watts, 900 lumens, 90min
- Listing:** UL cUL wet location listed
- Warranty:** 5 years carefree for parts & components (Labor not included).

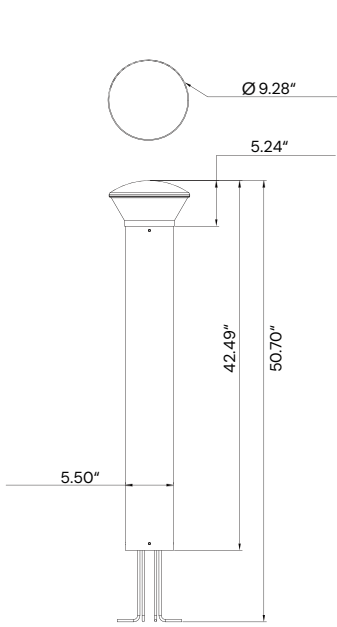


### ORDERING INFORMATION Example:

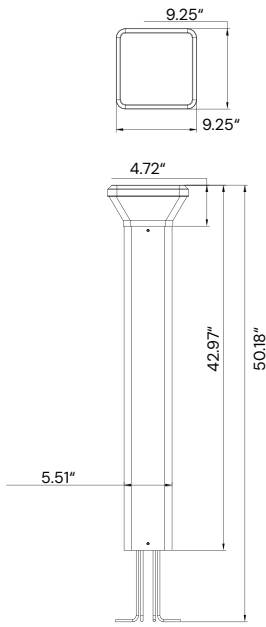
Model	Bollard Head	Light Distribution	Lens	Finish	Options
9003	R Round S Square D Dome	Blank Round <sup>Standard</sup> G Grille	F Frosted <sup>Standard</sup> C Clear	BZ Dark Bronze BK Black WH White	BB <sup>1</sup> Bollard Base kit EM8 8 Watt Emergency Battery

<sup>1</sup> Compatible with Round or Dome Bollard Head.

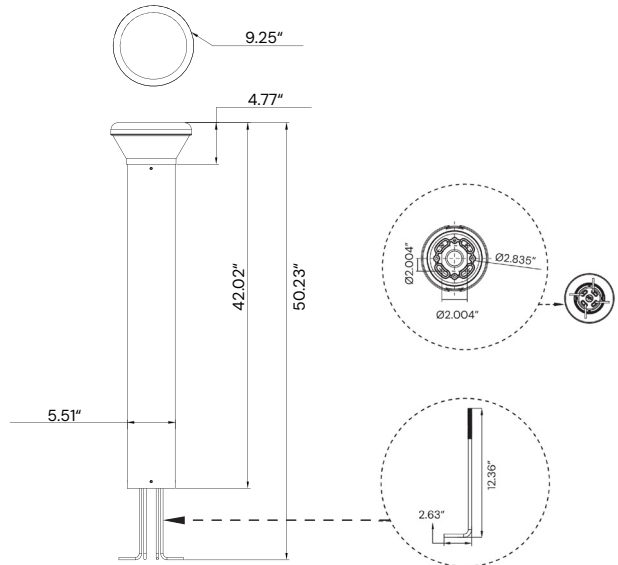
## LINE DRAWINGS



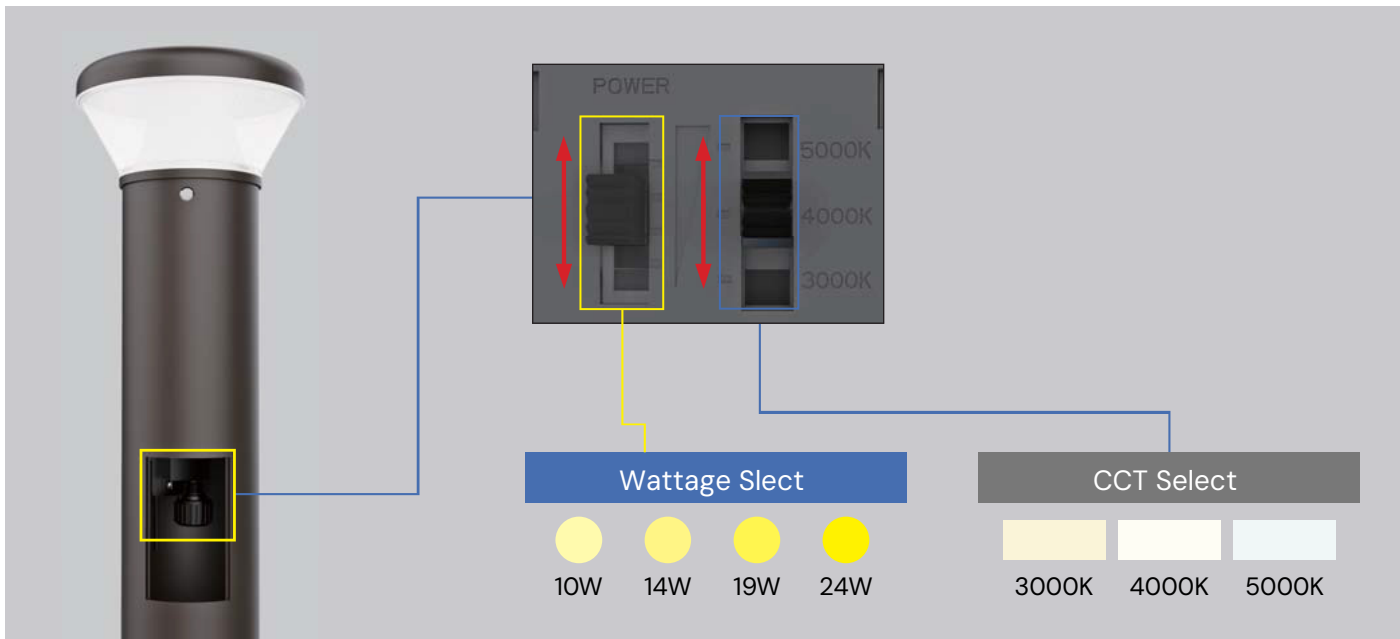
**Dome**  
9003-D



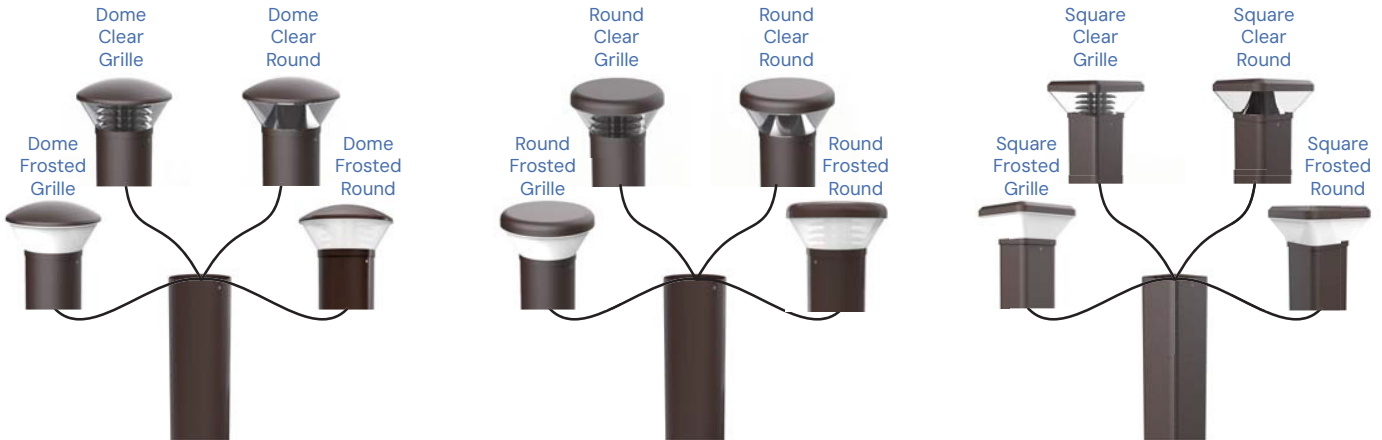
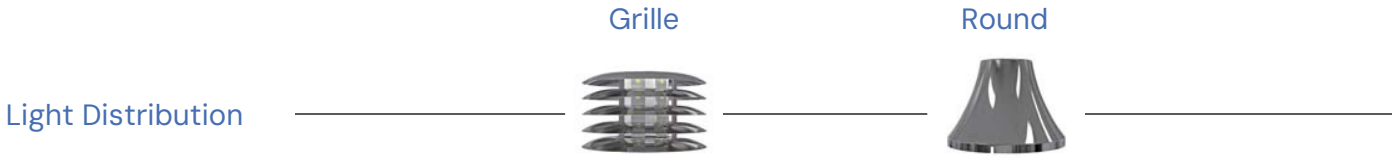
**Square**  
9003-S



**Round**  
9003-R



## CONFIGURATIONS



Styling configuration starts with 12 different combinations of the top cap and optic. The round exterior with eight light engine systems and the square exterior with four light engine systems support quick replacement depending on site.

## OPTIONS



EM8

8 Watt Emergency Battery  
90 minutes producing 900 lumens



BB

Bollard Base kit

## PERFORMANCE DATA

SWITCH SETTING	SETTING WATTS	CRI	3000K		4000K		5000K	
			LUMENS	LPW	LUMENS	LPW	LUMENS	LPW
100%	24W	80	3000lm	125 lm/W	3200lm	133 lm/W	3100lm	129 lm/W
80%	19W	80	2500lm	132 lm/W	2600lm	137 lm/W	2550lm	134 lm/W
60%	14W	80	1900lm	136 lm/W	2000lm	143 lm/W	1950lm	139 lm/W
40%	10W	80	1400lm	140 lm/W	1500lm	150 lm/W	1450lm	145 lm/W

## ELECTRICAL DATA

NUMBER OF DRIVERS	DRIVER CURRENT (mA)	NOMINAL POWER (W)	INPUT VOLTAGE (V)	CURRENT (Amps)
1	440	24	120	0.20
		24	208	0.12
		24	240	0.10
		24	277	0.09

			
0-10 V	<a href="#">2100</a> <a href="#">2101</a> <a href="#">2102</a>	Diva DDTV	IP-710-DL

## COLOR TEMPERATURE GUIDE

<p><b>2700K</b></p> <p>WARM WHITE</p> <p>friendly personal intimate</p> <p>HOMES LIBRARIES RESTAURANTS</p> <p>X</p>	<p><b>3000K</b></p> <p>SOFT WHITE GLOW</p> <p>soft warm pleasing</p> <p>HOMES HOTEL ROOMS LOBBIES RETAIL STORES</p> <p>✓</p>	<p><b>3500K</b></p> <p>NEUTRAL GLOW</p> <p>sociable inviting non-threatening</p> <p>EXECUTIVE OFFICES RECEPTION AREAS SUPERMARKETS</p> <p>X</p>	<p><b>4000K</b></p> <p>COOL WHITE GLOW</p> <p>neat clean efficient</p> <p>OFFICES CLASSROOMS MASS MERCHANDISERS SHOWROOMS</p> <p>✓</p>	<p><b>5000K</b></p> <p>DAYLIGHT GLOW</p> <p>bright cool alert</p> <p>GRAPHICS INDUSTRY HOSPITALS GALLERIES BEAUTY SALONS</p> <p>✓</p>
---	--	---	--	---