

Project Name: _____ Type: _____ Quantity: _____

INTENDED USE

The Outdoor LED Commercial Sign Light is designed to illuminate signage, storefronts, and building identification features with precise, directional light. Ideal for retail, hospitality, and commercial environments, it enhances visibility while complementing architectural facades and exterior details. Its streamlined form and focused distribution make it an effective solution for highlighting branding elements and creating a cohesive nighttime presence.

FEATURES

- Construction:** Die-cast aluminum housing
- Mounting:** Surface-mounted canopy with mounting plate assembly. Available with 18" or 36" stem options
- Wattage range:** 4W - 16W
- Lumens range:** 260 - 1600 lm
- Voltage:** 120V AC
- Dimming:** Non-dimming
- Lens:** Polycarbonate
- Adjustability:** 360° Rotate, 180° Tilt
- Operating Temperature:** -4°F to 113°F
- Warranty:** 5 Year Limited Warranty on Parts and Components. (Labor Not Included)
- Listings:** ETL Listed, IP65 Rated for Wet Locations, Damp Location Rated



Head Type	Model	Wattage	Lumen Output
Compact Head	31034-SM	4W	260 lm
		8W	800 lm
Single Head	31034-MD	10W	1000 lm
		15W	1500 lm
Dual Head	31034-DH	8W (4W per head)	520 lm
		16W (8W per head)	1600 lm



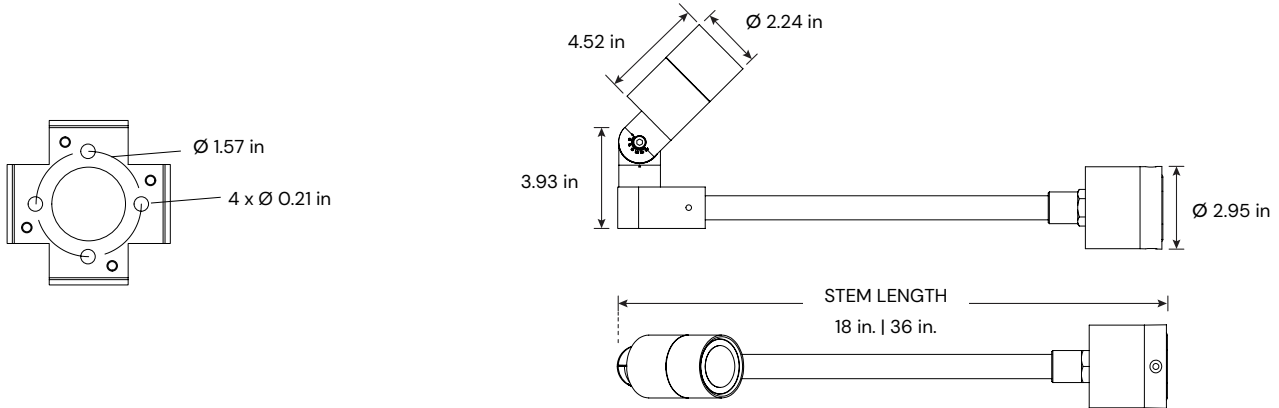
ORDERING INFORMATION Example:

Model	Stem Length	Wattage	Color Temp	Beam Spread ⁶	Shroud Type	Finish	Accessories
31034-SM	AA18 18-Inch	4W ¹ 4 Watts	27K ⁴ 2700K	B15 15° Narrow	NS No Shroud	BK Black	LV Honeycomb
	AA36 36-Inch	8W ¹ 8 Watts	30K 3000K	B25 25° Narrow	ASH Angled	WH White	Louwer
31034-MD		10W ³ 10 Watts	40K 4000K	B35 35° Flood	Retractable	GY Gray	MG Marine Grade
		15W ² 15 Watts	50K ⁴ 5000K	B50 ⁵ 50° Wide Flood		BZ Bronze	
31034-DH		8W ² 8 Watts (4W x 2)		B2040 ⁶ V20° x H40°		SL Silver	
		16W ² 16 Watts (8W x 2)		B2050 ⁷ V20° x H50°			

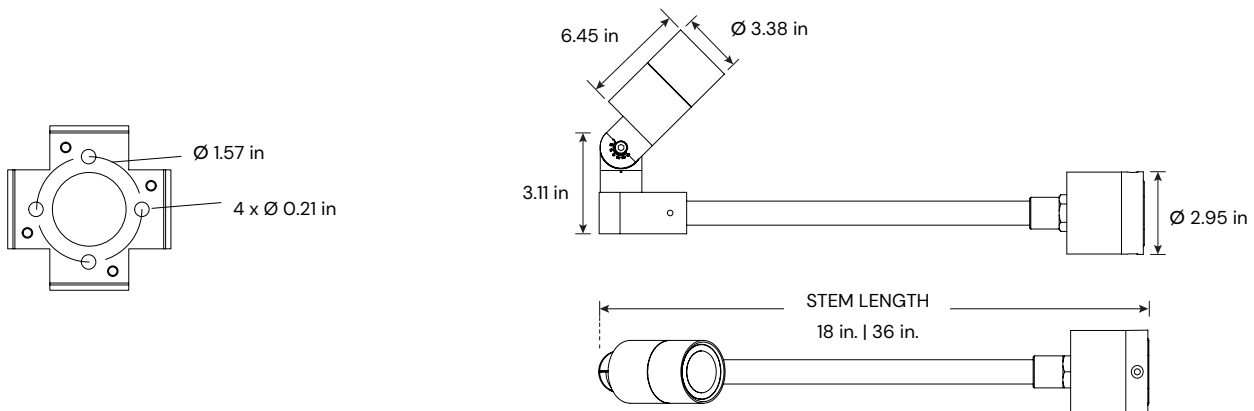
¹ 4W and 8W available for Compact Head (SM) only
² 8W (4W x 2) and 16W (8W x 2) available for Dual Head (DH) only
³ 10W and 15W available for Single Head (MD) only
⁴ 27K and 50K available for Single Head (MD) only
⁵ 50° available for Single Head (MD) only
⁶ V20° x H40° available for Compact Head (SM) and Dual Head (DH) only 7 V20° x H50° available for Single Head (MD) only 8 Actual beam angles: 25°/35° for Compact and Dual Head (SM/DH); 24°/36° for Single Head (MD)

LINE DRAWINGS AND DIMENSIONS

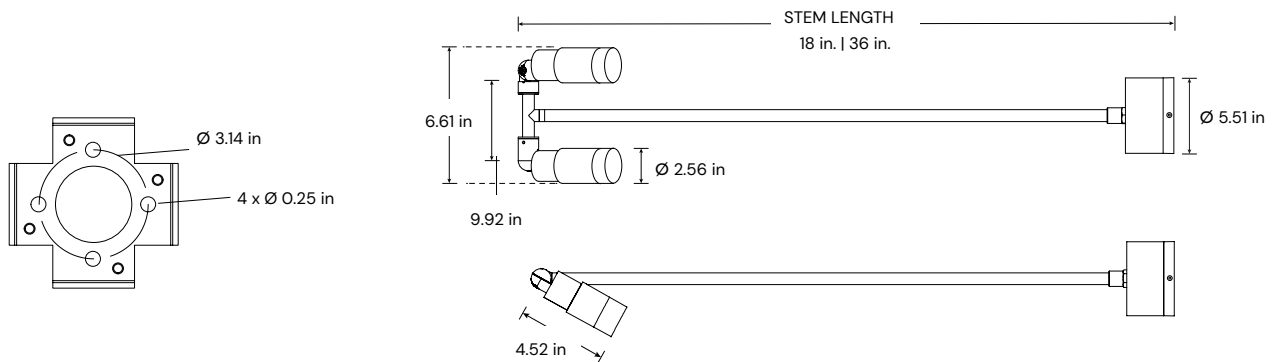
31034-SM | Compact Head



31034-MD | Single Head



31034-DH | Dual Head



COLOR TEMPERATURE GUIDE

2700K	3000K	3500K	4000K	5000K
WARM WHITE	SOFT WHITE GLOW	NEUTRAL GLOW	COOL WHITE GLOW	DAYLIGHT GLOW
friendly personal intimate	soft warm pleasing	sociable inviting non-threatening	neat clean efficient	bright cool alert
HOMES LIBRARIES RESTAURANTS	HOMES HOTEL ROOMS LOBBIES RETAIL STORES	EXECUTIVE OFFICES RECEPTION AREAS SUPERMARKETS	OFFICES CLASSROOMS MASS MERCHANDISERS SHOWROOMS	GRAPHICS INDUSTRY HOSPITALS GALLERIES BEAUTY SALONS
✓	✓	✗	✓	✓