

**WARNING:** Important: This product must be installed in accordance with applicable electrical codes by a qualified professional familiar with its construction, operation, and associated safety hazards. Follow all safety guidelines during installation. Retain these instructions for future reference.

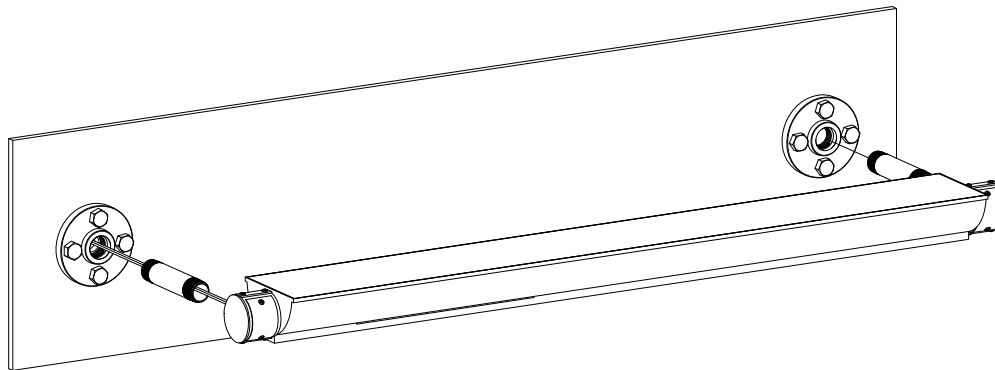
## 31029 - INSTALLATION INSTRUCTIONS

### IMPORTANT SAFEGUARDS

1. Before installation, disconnect power at the main switch or circuit breaker.
2. Ensure all wiring complies with the National Electrical Code (NEC) and local codes. Installation and maintenance must be performed by qualified personnel only.
3. Do not install near gas or electric heaters. Mount the fixture in secure locations and at heights that prevent tampering or unauthorized access. Use only manufacturer-approved accessories. Any modification or use of non-original parts voids the warranty and may compromise safety.

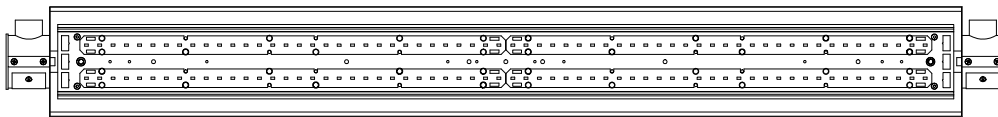
**Note:** Mounting Hardware is not included.

The fixture has a 3/4" female hub. If using 1" rigid conduit, use a 1" coupling (**by others**) with a 1"x3/4" reducer and 3/4" close nipple to adapt to luminaire.

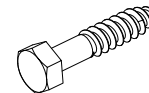


**Note:** The mounting surface and hardware must support the full weight of the fixture.

### PARTS



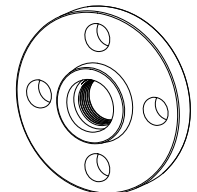
31029 Fixture  
(Provided)



Lag Bolt  
(By Others)



1" x 6" Threaded Pipe Nipple  
(By Others)



Threaded Pipe Flange  
(By Others)

**WARNING:** Important: This product must be installed in accordance with applicable electrical codes by a qualified professional familiar with its construction, operation, and associated safety hazards. Follow all safety guidelines during installation. Retain these instructions for future reference.

## 31029 - INSTALLATION INSTRUCTIONS

### INSTALLATION STEPS

#### Step 1

Identify the power side and drill a hole in the mounting surface.

#### Step 2

Mark mounting points. Install Threaded Pipe Flanges (**by others**), or prep power leads from an existing junction box.

#### Step 3

Secure flanges with Lag Bolts (**by others**).

#### Step 4

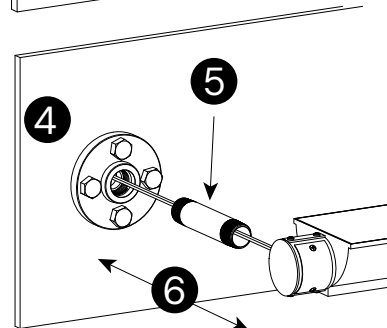
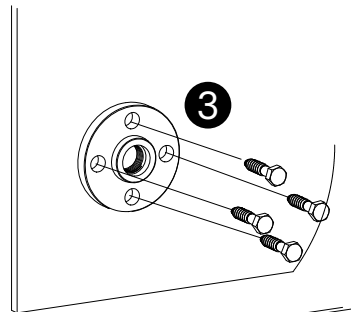
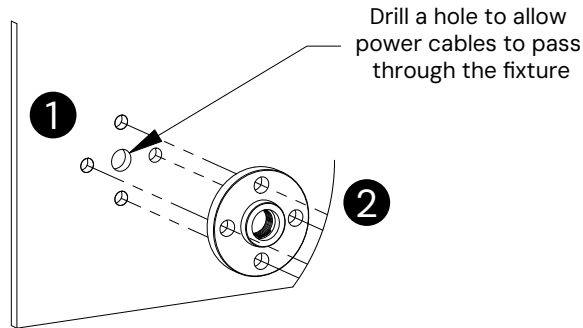
Feed the power cable through the center opening. Connect fixture wiring to the power supply per code.

#### Step 5

Align the fixture. Insert a 1" x 6" Threaded Nipple and Pipe Flange (**by others**) on each end.

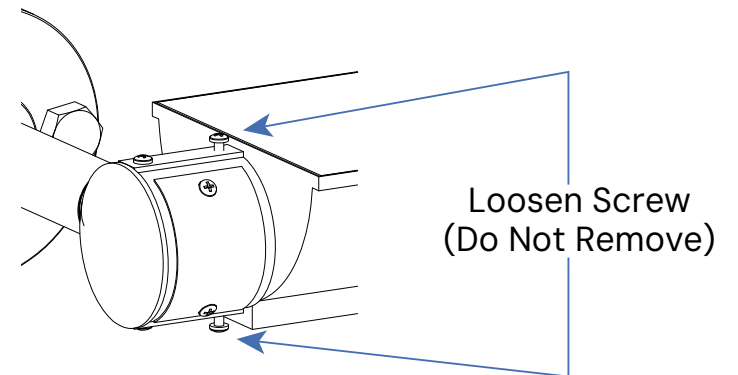
#### Step 6

Press all parts together, then rotate the threaded nipples clockwise to tighten and lock in place.



#### Fixture Adjustment:

To adjust aim or orientation, loosen (do not remove) the screws located at each end of the fixture.

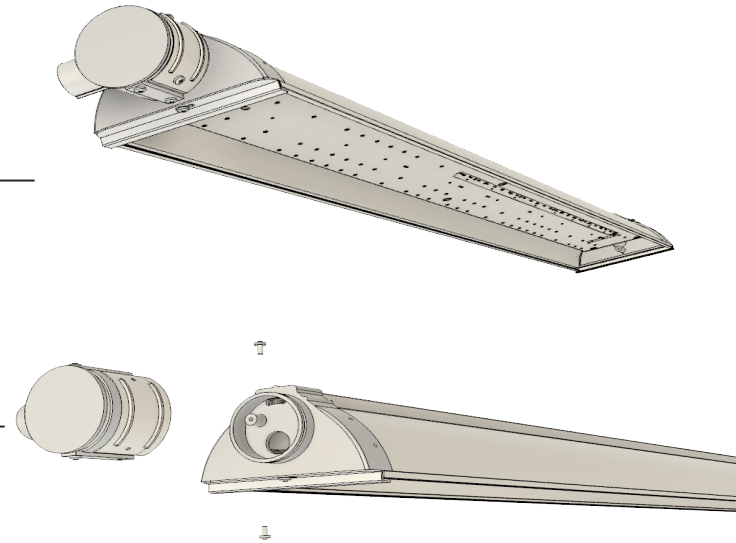


**WARNING:** Important: This product must be installed in accordance with applicable electrical codes by a qualified professional familiar with its construction, operation, and associated safety hazards. Follow all safety guidelines during installation. Retain these instructions for future reference.

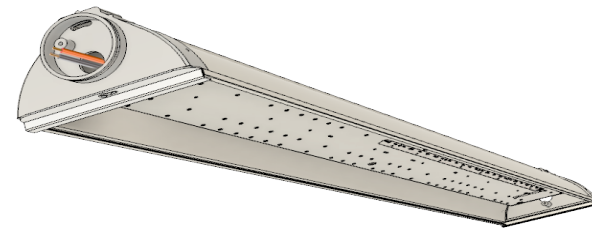
## CONTINUOUS RUN INSTALLATION

The 31029 Linear Sign Light is designed to allow quick and seamless continuous-run installations. The steps below outline how to connect two or more fixtures in a continuous run.

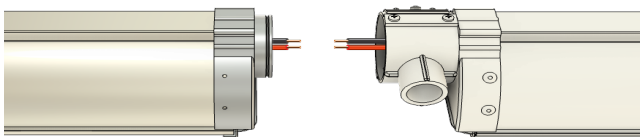
1. Remove the two fasteners closest to the fixture body and carefully remove the end cap.



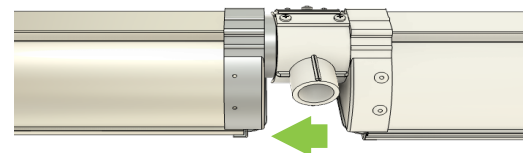
2. Feed the wiring through the opening in the fixture.



3. Connect the wiring from one fixture to the next.

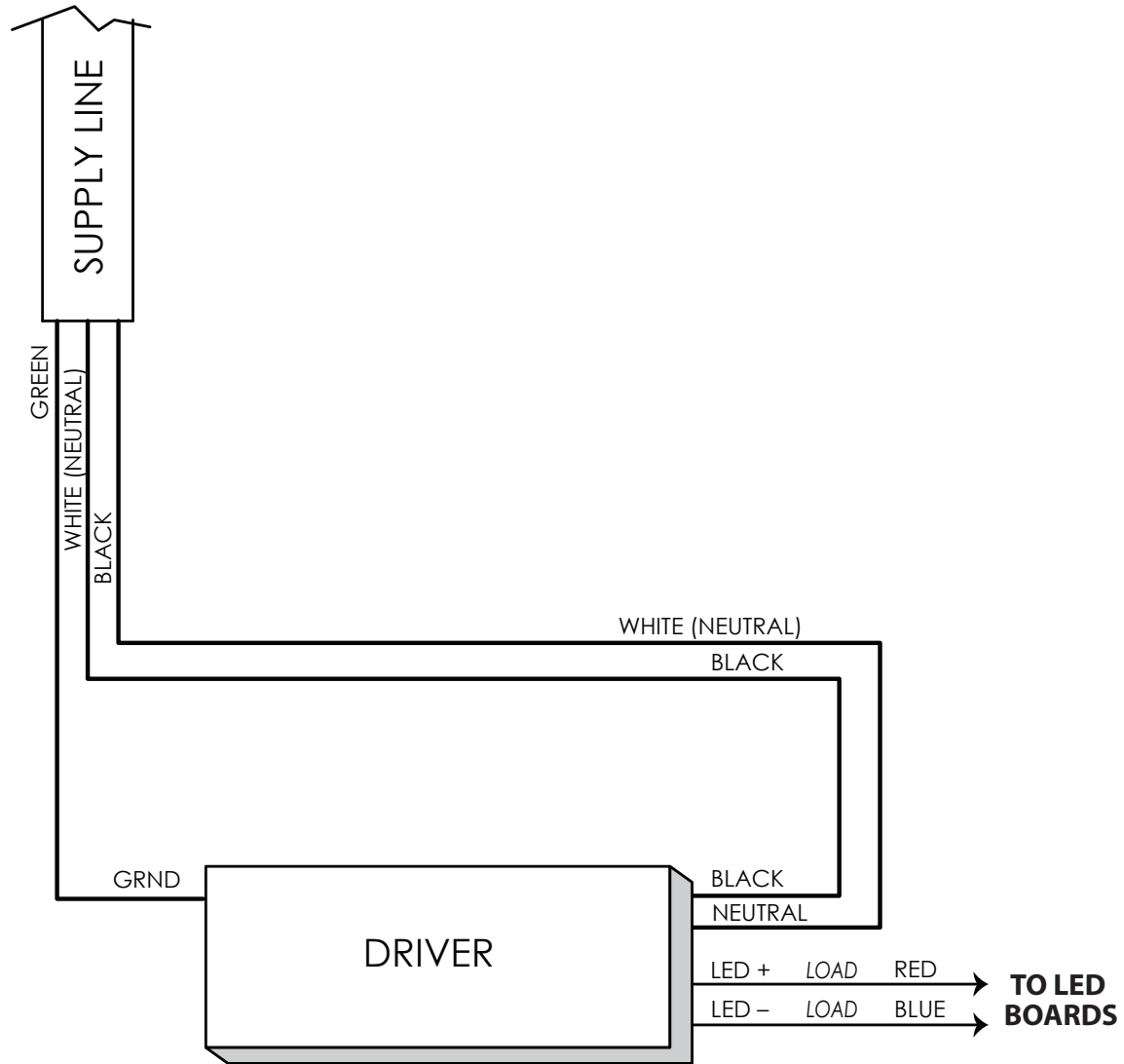


4. On the next fixture, remove only the end cap, align the fixtures, and secure them together using the two fasteners.



**WARNING:** Important: This product must be installed in accordance with applicable electrical codes by a qualified professional familiar with its construction, operation, and associated safety hazards. Follow all safety guidelines during installation. Retain these instructions for future reference.

## WIRING DIAGRAM



**WARNING:** Important: This product must be installed in accordance with applicable electrical codes by a qualified professional familiar with its construction, operation, and associated safety hazards. Follow all safety guidelines during installation. Retain these instructions for future reference.

## DMX WIRING DIAGRAM

### IMPORTANT SAFEGUARDS

Ensure all electrical wiring complies with the National Electrical Code (NEC®) and applicable local codes. Installation and servicing must be performed by qualified personnel only. Do not install near gas or electric heaters. Mount the fixture in locations and at heights that minimize the risk of tampering by unauthorized individuals. Use only manufacturer-recommended accessories; unauthorized components may create unsafe conditions. Any modifications or use of non-original parts will void the warranty and product liability. Use this equipment only for its intended purpose.

