

Project Name: _____ Type: _____ Quantity: _____

INTENDED USE

This universal 24V DC LED driver is ideal for indoor and outdoor architectural lighting. IP66-rated for wet locations. It supports TRIAC, MLV, ELV, 0-10V, and PWM dimming. Designed for stable, flicker-free performance, it features auto-reset protection against short circuit, overload, and overheating, with efficient cooling by free air convection.



FEATURES

- Construction:** Durable metal housing with full circuit protection
- Dimming:** Supports 0-10V and phase dimming (Triac, MLV, ELV, PWM)
- Dimming range:** 100% to 1% LOG; dimming curve down to 0.1%
- Input Voltage:** 120–277VAC, 50/60Hz
- Output Voltage:** 24V DC
- Operating Temperature:** -40°F to 140°F (-40°C to 60°C)
- Warranty:** 5 Years carefree for parts & components (Labor not included)
- Listings:** cULus Listed, Class 2 Type HL, IP66, Plenum Rated, Title 24 JA8 Compliant, FCC

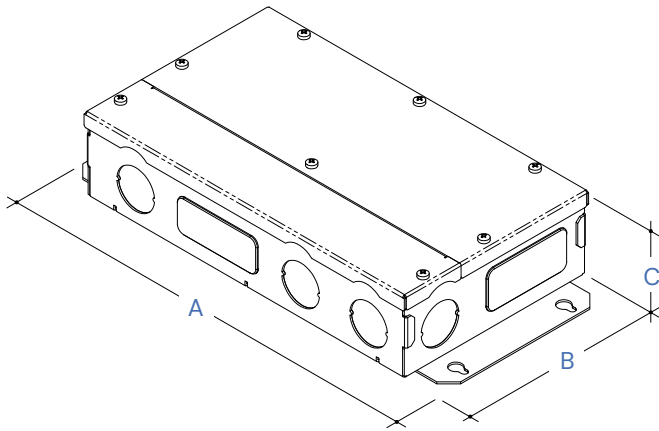


ORDERING INFORMATION Example:

Model	Wattage
2520	30 30 Watts
	60 60 Watts
	96 96 Watts

Alcon Lighting 2520 Universal TRIAC, ELV, MLV & 0-10V Dimmable LED Driver

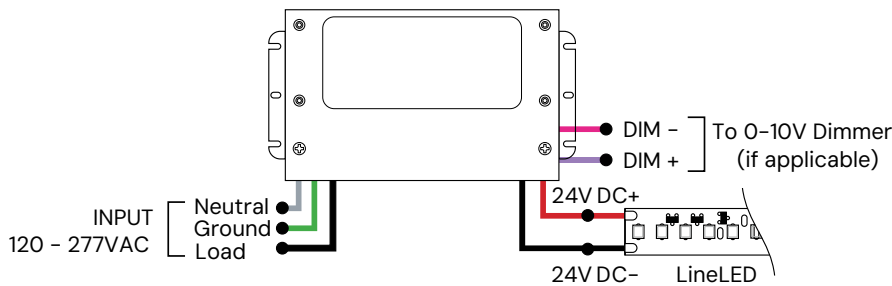
LINE DRAWINGS & DIMENSIONS



MODEL		2520-30	2520-60	2520-96
Length	A	6.50"	7.40"	8.66"
Width	B	3.73"	3.73"	3.73"
Height	C	1.61"	1.61"	1.61"

Note: Knockout size for 1/2" conduit

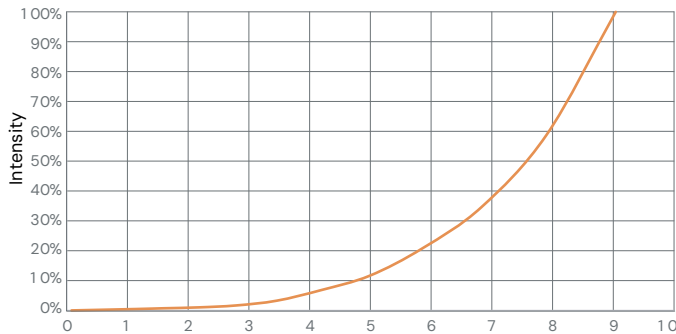
General Wiring Diagram



Note: Over the white, green, and black wires, connect to ELV and MLV dimmer

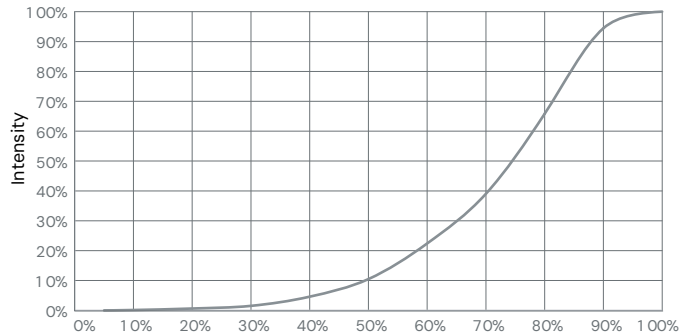
Dimming Curve

0 -10V Dimming Curve



0 -10V Dimming Signal

Phase Dimming Curve



Phase Dimming Signal

*Equipment used for test: HomeWorks QS 0-10V Module, LL72 LED Tape

*Equipment used for test: HomeWorks Phase Adaptive Power Module, LL72 LED Tape

LUMINOUS EFFICACY

Technical Information

MODEL		2520-30	2520-60	2520-96	
ELECTRICAL	Voltage/Frequency	120-277V AC @ 50/60Hz	120-277V AC @ 50/60Hz	120-277V AC @ 50/60Hz	
	Inrush Current	7A, 420 us @ 50% 120V AC 12A, 480 us @ 50% 277V AC	22.4A, 82 us @ 50% 120V AC 42.4A, 47 us @ 50% 277V AC	20A, 1.6ms @ 50% 120V AC 25A, 1.2ms @ 50% 277V AC	
	Power Factor	0.99 @ 120V ¹ 0.95 @ 277V ¹	0.98 @ 120V ¹ 0.95 @ 277V ¹	0.98 @ 120V ¹ 0.95 @ 277V ¹	
	Efficiency	0.79 @ 120V ¹ 0.80 @ 277V ¹	0.84 @ 120V ¹ 0.86 @ 277V ¹	0.83 @ 120V ¹ 0.86 @ 277V ¹	
	Maximum Input Current	0.5A @ 100V AC	≤ 0.9A	1.3A	
	Maximum Output Power	30W	60W	96W	
	Maximum Output Current	1.25A	2.5A	4.0A	
	Output Voltage	24V DC	24V DC	24V DC	
	Total Harmonic Distortion	< 20% ²	< 20% ²	< 20% ²	
	Start Up Time	< 0.5S ³	< 0.5S ³	< 0.5S ³	
	Minimum Load	10%	10%	10%	
	Dimming (0-10V)	0.1% - 100% LOG	0.1% - 100% LOG	0.1% - 100% LOG	
	Dimming (Phase)	0.1% - 100% LOG	0.1% - 100% LOG	0.1% - 100% LOG	
	0-10V Current Draw	0.2mA	0.2mA	0.2mA	
RATING	Environment	Wet IP66	Wet IP66	Wet IP66	
	Compliance	UL 8750	UL 8750	UL 8750	
	Ambient Operating Temperature Range	-40°F to 140°F	-40°F to 140°F	-40°F to 140°F	
DIMENSIONS	Length	A	6.50"	7.40"	8.66"
	Width	B	3.73"	3.73"	3.73"
	Height	C	1.61"	1.61"	1.61"
Net. Weight		2.0 lbs	2.4 lbs	2.9 lbs	

1- at MAX Load

2 - under 120 - 277 VAC input with 80 - 100% load contition (For all output voltage)

3 - at 50 - 100% load, input 120V