

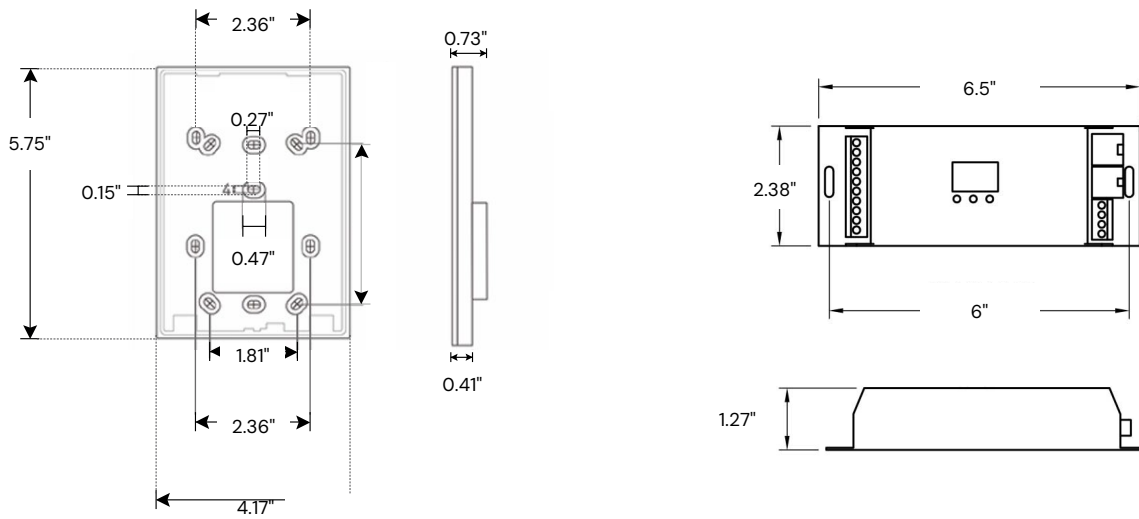


DMX Wall Control
(White and Black)



Decoder

DIMENSIONS



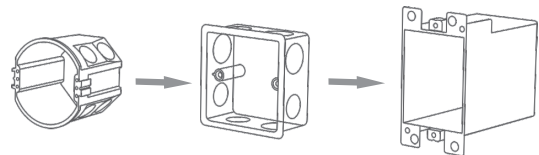
PRE-INSTALLATION

Surface Mount. Disconnect power source prior to installation.

CONTROL INSTALLATION

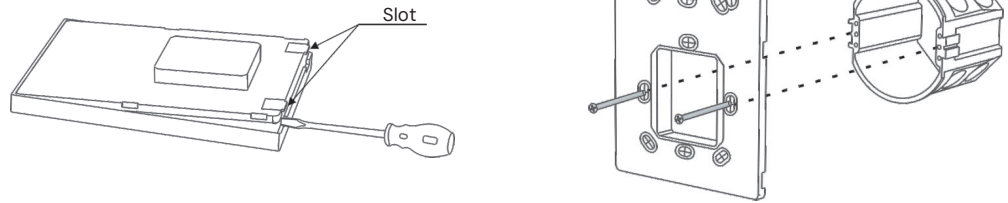
STEP 1 Install the back box into the wall. (Figure 1)

Figure 1



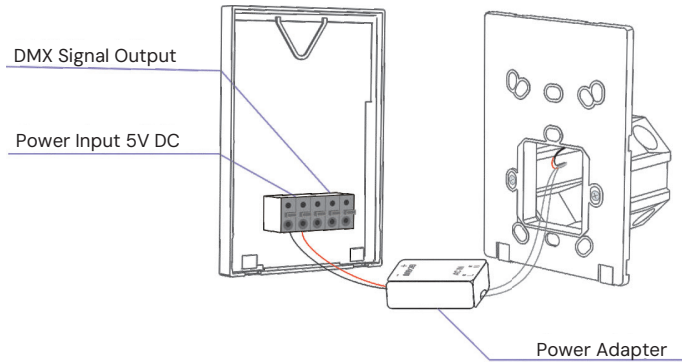
- STEP 2** Use a screwdriver to pry the touch panel off the baseplate, and screw the baseplate into the back box. (Figure 2)

Figure 2



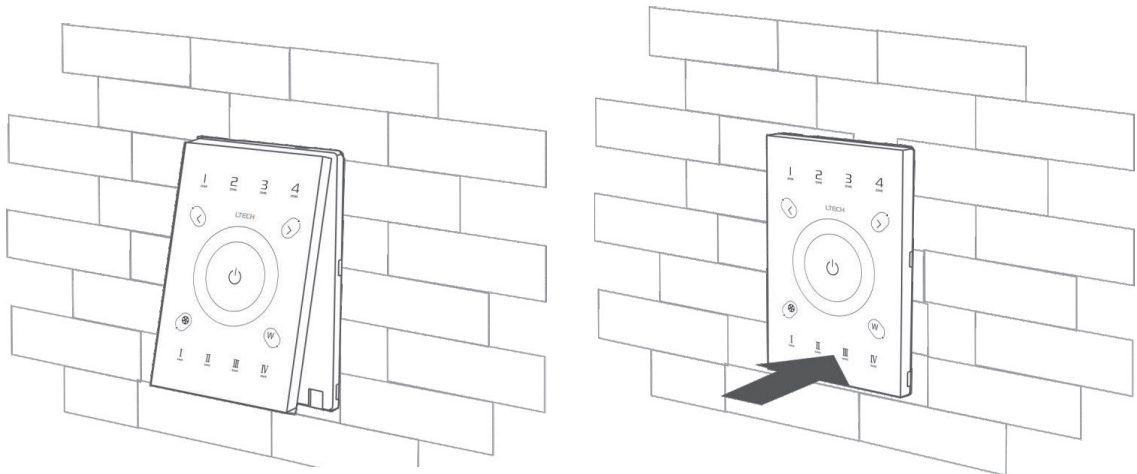
- STEP 3** Connect the DMX signal output and power input to the power adapter, and put the power adapter into the back box. (Figure 3)

Figure 3



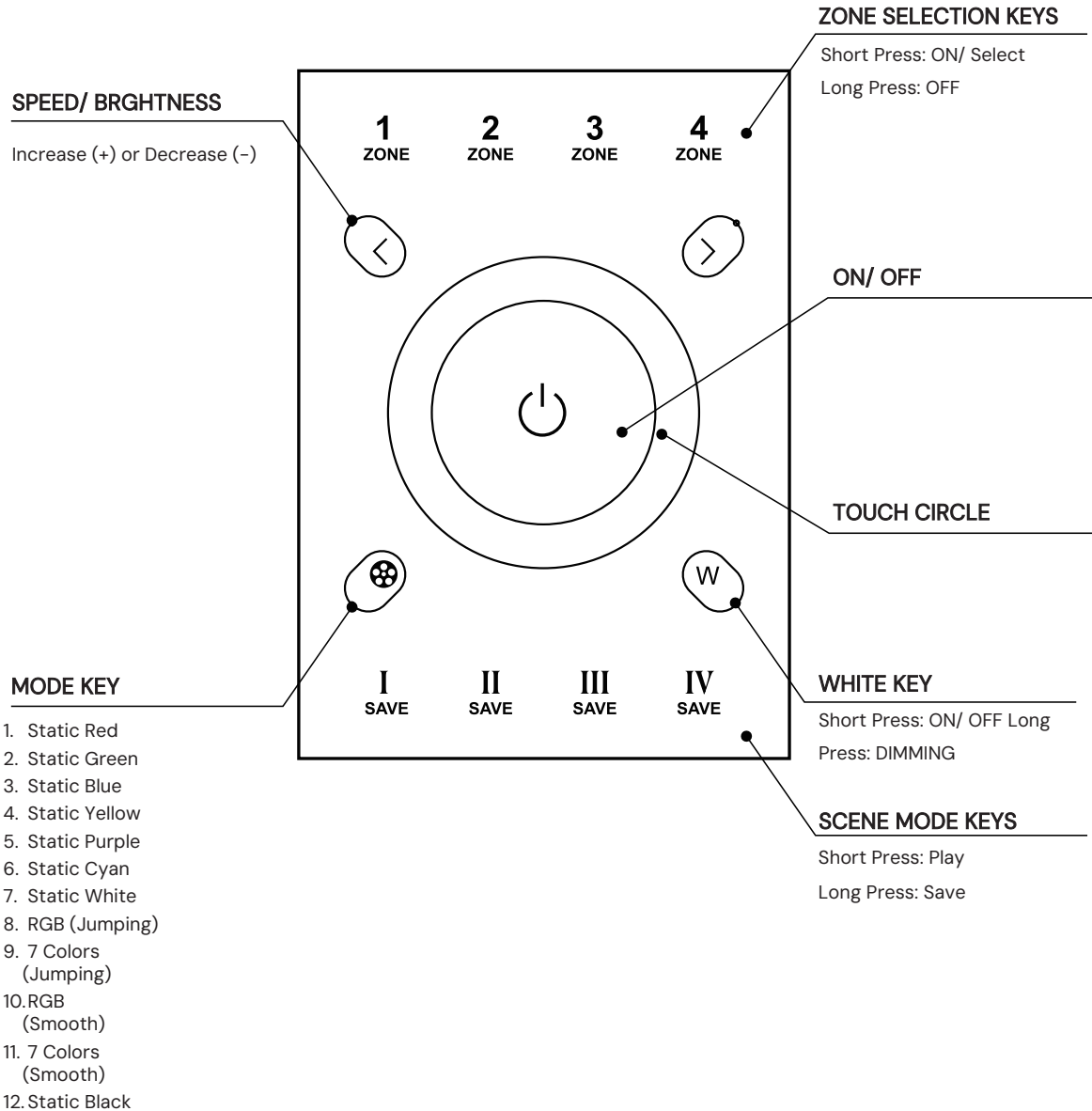
- STEP 4** Embed the upper touch panel into the baseplate and tap the bottom to press into the slots. (Figure 4)

Figure 4



CONTROL KEY FUNCTIONS

2310-WCX Controller Diagram





READ ALL INSTRUCTIONS BEFORE INSTALLATION. THESE PRODUCTS MAY PRESENT A POSSIBLE SHOCK, SERIOUS INJURY, OR DEATH IF IMPROPERLY INSTALLED. DO NOT INSTALL IN WET LOCATIONS.

Product should be installed by a qualified electrician.

Product should be installed in accordance with these instructions and current electrical codes.

PRE-INSTALLATION

Power input is 12V/ 24V. Confirm the source voltage is compatible. Disconnect power source prior to installation.

WIRING GUIDE

