

INTENDED USE

The Square LED Canopy Light is a high-performance, energy-efficient luminaire designed for surface-mount applications in commercial buildings, retail environments, and educational facilities. Its durable, thermally optimized housing ensures excellent heat dissipation and long-lasting reliability, while a precision-engineered optical lens minimizes glare and delivers uniform, high-quality illumination. Featuring field-selectable color temperature and wattage settings, this versatile fixture adapts easily to various lighting needs. Optional features, including a PIR motion sensor for occupancy detection and an emergency battery backup for power continuity, enhance reliability and functionality. Designed for quick installation, it includes an external quick-mounting plate for standard surface mounting and is also compatible with pendant mounting.



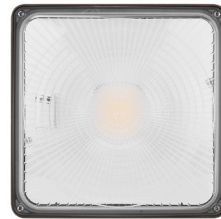
9.5 Inch | 60 Watts
16003-9



11.5 Inch | 110 Watts
16003-11

FEATURES

- Construction:** Die-cast aluminum with corrosion-resistant powder coating
- Lens:** anti-UV prismatic translucent engineered to enhance light distribution and ensure uniform illumination
- Mounting:** Designed for J-BOX surface installation and compatible with a 3/4" pendant mount. Features 1/2" knock-out holes on three sides for easy surface conduit wiring.
- Color Temperature:** 30/40/50K Selectable switch
- Finish:** Dark Bronze
- Voltage:** 120-277VAC
- Dimming Driver:** 0-10V dimming down to 10%
- Power Adjustable:** 100%, 80%, 60%, 40%.
- CRI:** 70+
- Power Factor:** ≥90%
- Total Harmonic Distortion:** <20%
- Operating Temperature:** -40°F to 104°F
- Life:** 50,000 Hours
- Optional Emergency Battery:** 8 Watts, 900 lm, 90min
- Listings:** UL cUL wet location listed, DLC Premium
- Warranty:** 5 years carefree for parts & components (Labor not included)

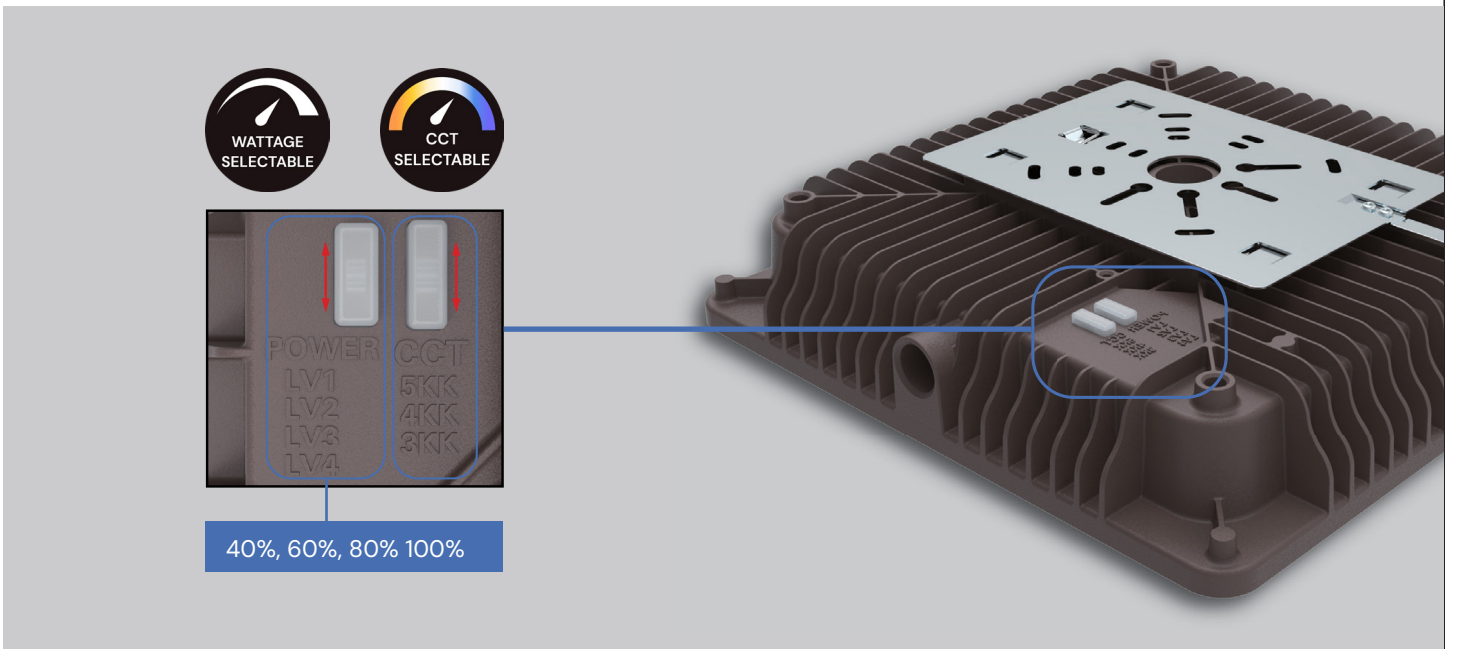
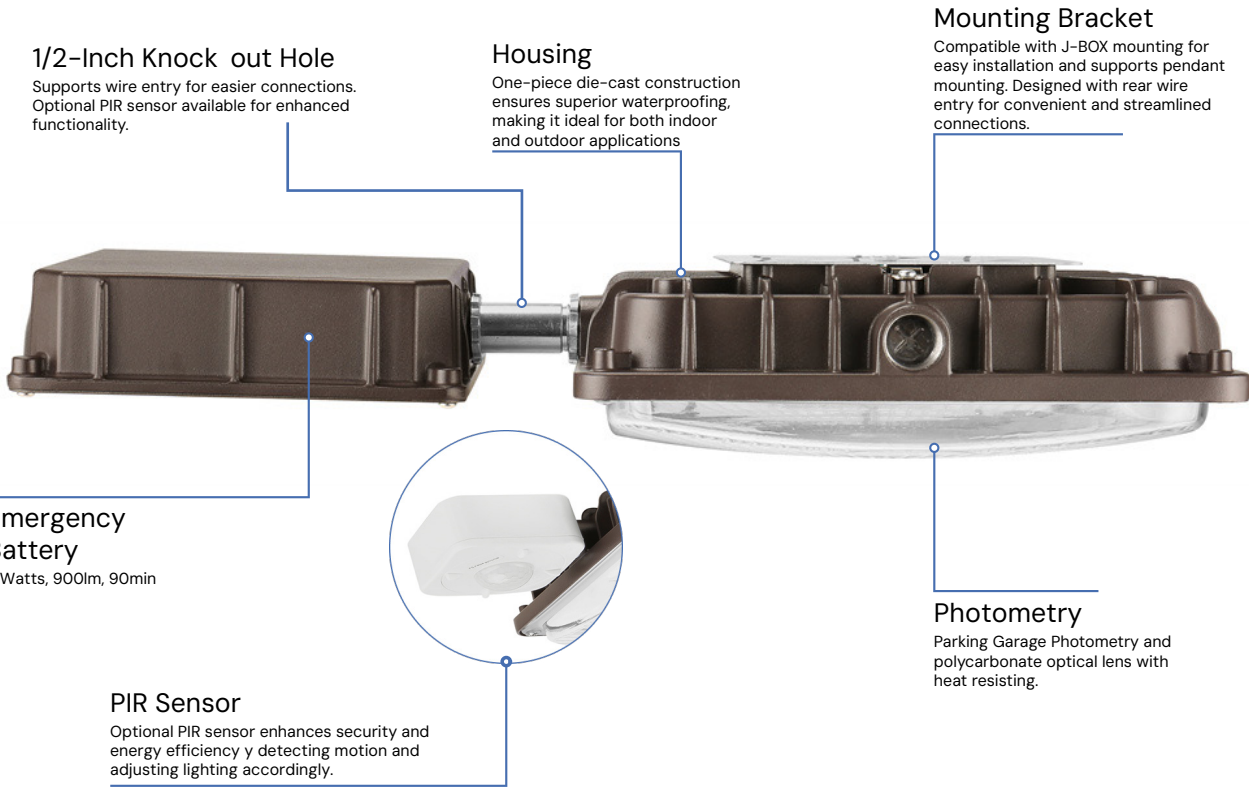


ORDERING INFORMATION Example:

Model	Size	Options
16003	9 9.5 Inch 11 11.5 Inch	XEM8 ¹ 8 Watt Emergency Battery (External)

¹ The Emergency battery is only compatible with the 60W model

STRUCTURAL DESIGN



OPTIONS



XEM8
8 Watt Emergency Battery
 90 minutes producing 800 lumens



PI
PIR Sensor
 120-277V

PERFORMANCE DATA

9.5 Inch/60 Watts 16002-9							
SETTING	SETTING WATTS	3000K		4000K		5000K	
		LUMENS	LPW	LUMENS	LPW	LUMENS	LPW
100%	60W	7800lm	130 lm/W	8400lm	140 lm/W	8000lm	133 lm/W
80%	47W	6500lm	138 lm/W	7000lm	149 lm/W	6600lm	140 lm/W
60%	36W	5200lm	144 lm/W	5600lm	156 lm/W	5300lm	147 lm/W
40%	24W	3700lm	154 lm/W	4000lm	167 lm/W	3800lm	158 lm/W

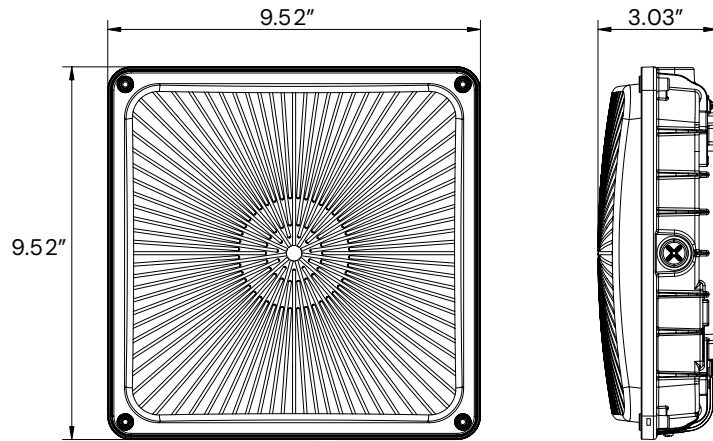
11.5 Inch/110 Watts 16003-11							
SETTING	SETTING WATTS	3000K		4000K		5000K	
		LUMENS	LPW	LUMENS	LPW	LUMENS	LPW
100%	110W	15500lm	141 lm/W	16500lm	150 lm/W	16000lm	145 lm/W
80%	85W	12800lm	151 lm/W	13600lm	160 lm/W	13000lm	153 lm/W
60%	63W	9800lm	156 lm/W	10500lm	167 lm/W	10000lm	159 lm/W
40%	41W	6800lm	166 lm/W	7200lm	176 lm/W	7000lm	171 lm/W

ELECTRICAL DATA

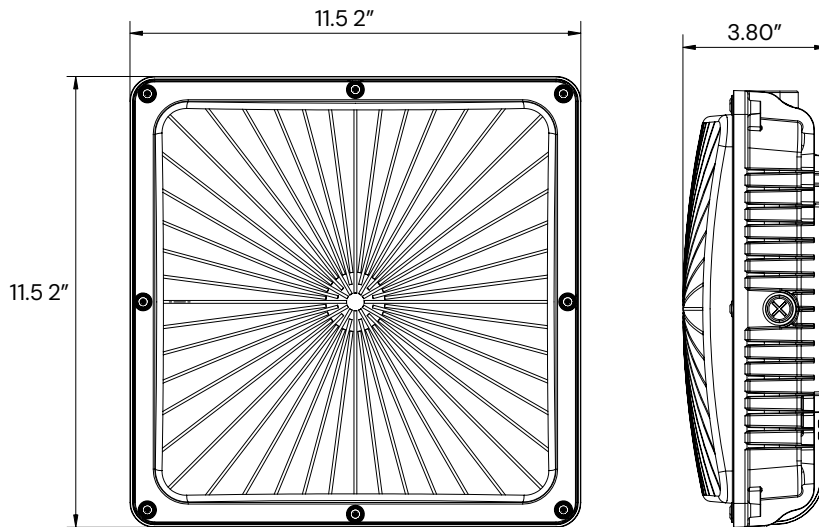
NUMBER OF DRIVERS	DRIVER CURRENT (mA)	NOMINAL POWER (W)	INPUT VOLTAGE (V)	CURRENT (Amps)
1	900	60	120	0.50
		60	208	0.29
		60	240	0.25
		60	277	0.22
		60	347	0.17
1	850	110	120	0.92
		110	208	0.53
		110	240	0.46
		110	277	0.40
		110	347	0.32

LINE DRAWINGS

9.5 Inch/ 60 Watts
16002-9



11.5 Inch/110 W atts
16003-11



MOUNTING

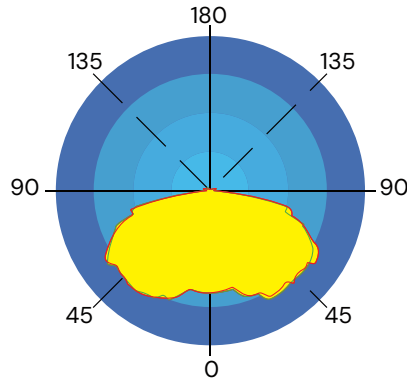


Surface
Mounted With J-Box

Pendant
Conduit not included

PHOTOMETRY

Parking Garage Photometry



COLOR TEMPERATURE GUIDE

				
2700K	3000K	3500K	4000K	5000K
WARM WHITE	SOFT WHITE GLOW	NEUTRAL GLOW	COOL WHITE GLOW	DAYLIGHT GLOW
friendly personal intimate	soft warm pleasing	sociable inviting non-threatening	neat clean efficient	bright cool alert
HOMES LIBRARIES RESTAURANTS	HOMES HOTEL ROOMS LOBBIES RETAIL STORES	EXECUTIVE OFFICES RECEPTION AREAS SUPERMARKETS	OFFICES CLASSROOMS MASS MERCHANTISERS SHOWROOMS	GRAPHICS INDUSTRY HOSPITALS GALLERIES BEAUTY SALONS
X	✓	X	✓	✓