

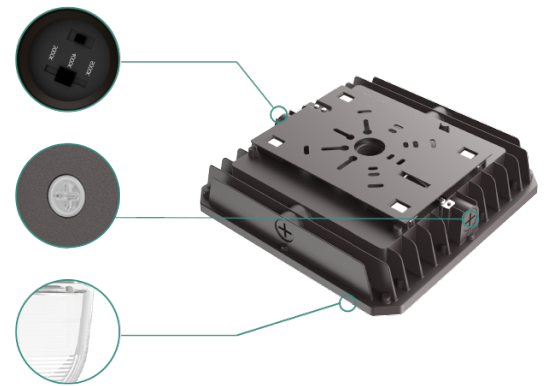
Project Name: _____ Type: _____ Quantity: _____

INTENDED USE

The Low-Profile High Efficiency LED Canopy Light is designed for parking garages, canopies, storage areas, outdoor aisles, walkways, and entryways where reliable, uniform illumination is essential. Its slim form supports discreet integration while enhancing safety and visibility in high-traffic exterior environments. Integrated microwave or PIR motion sensors and a dusk-to-dawn photocell enable responsive operation and energy efficiency, making it a practical solution for commercial and multi-use outdoor applications.

FEATURES

- Construction:** Die-cast Aluminum
- Lens:** Polycarbonate
- Beam Angle:** 145°
- Color temperature:** 30/40/50K selectable switch
- Wattage:** 75/60/40W selectable switch
- Lumens:** 10125 lm, 8100 lm, 5400 lm
- Efficacy:** 135LM/W
- Voltage:** 120-277VAC
- Dimming Driver:** 0-10V
- THD:** <20%
- Power Factor:** ≥0.95
- Operating Temperature:** -22°F to 122°F
- CRI:** 80+
- Life:** 50,000 Hours
- Warranty:** 5 Years carefree for parts & components (Labor not included)
- Listings:** UL listed, IP65, DLC Premium



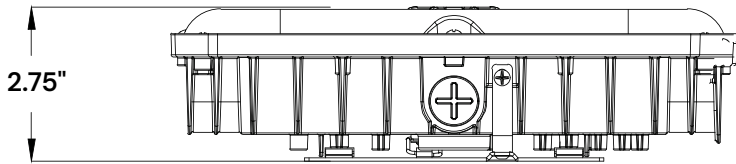
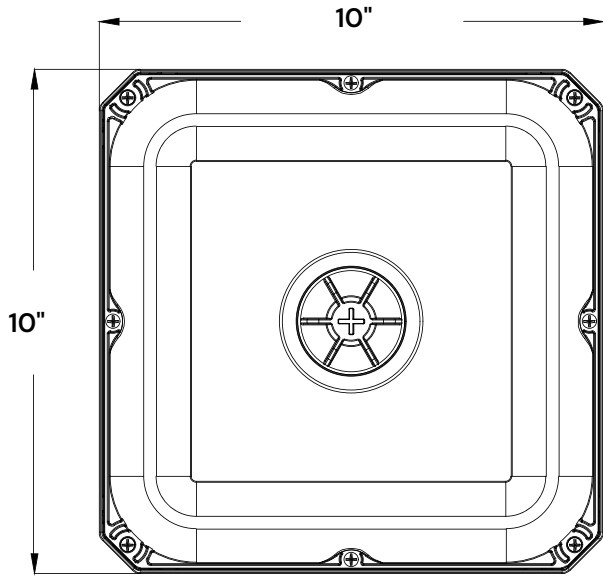
Alcon Lighting 16001 Low-Profile High-Efficiency Square LED Canopy Light



ORDERING INFORMATION Example:

Model	Finish	Options
16001	BK Black WH White BR Brown	MS Motion Sensor

LINE DRAWINGS & DIMENSIONS



Accessories



Microwave Motion Sensor



Photocell

COLOR TEMPERATURE GUIDE

2700K	3000K	3500K	4000K	5000K
WARM WHITE	SOFT WHITE GLOW	NEUTRAL GLOW	COOL WHITE GLOW	DAYLIGHT GLOW
friendly personal intimate	soft warm pleasing	sociable inviting non-threatening	neat clean efficient	bright cool alert
HOMES LIBRARIES RESTAURANTS	HOMES HOTEL ROOMS LOBBIES RETAIL STORES	EXECUTIVE OFFICES RECEPTION AREAS SUPERMARKETS	OFFICES CLASSROOMS MASS MERCHANDISERS SHOWROOMS	GRAPHICS INDUSTRY HOSPITALS GALLERIES BEAUTY SALONS
X	✓	X	✓	✓