

INSTALLATION INSTRUCTIONS

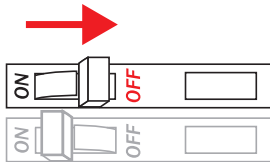
BEFORE YOU BEGIN

Luminaires must be installed by a qualified electrician in accordance with all applicable local and national electrical codes.

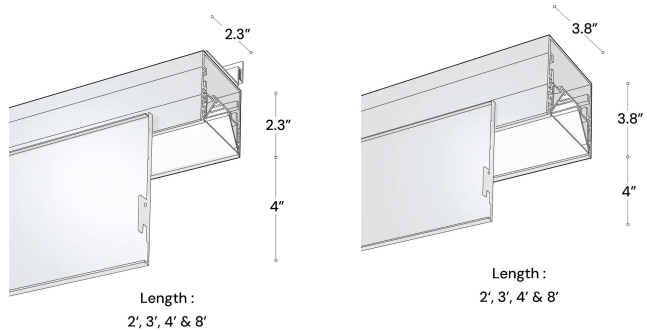
- ⚠ To prevent electrical shock, disconnect the power supply before installation or maintenance.
- ⚠ The contractor is responsible for ensuring that the mounting surface and installation method can support the weight of the fixture.

SHOCK HAZARD

⚠ May result in serious injury or death. Turn power OFF at circuit breaker prior to installation or servicing.

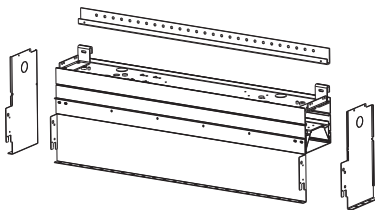


WARNING: RISK OF FIRE AND ELECTRICAL SHOCK. FIXTURE MUST BE INSTALLED BY A QUALIFIED ELECTRICIAN ONLY IN ACCORDANCE WITH NATIONAL, LOCAL BUILDING AND ELECTRICAL CODES. DISCONNECT POWER AT ELECTRICAL PANEL BEFORE SERVICING.

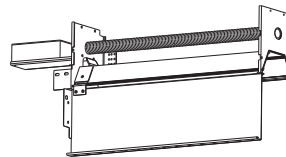


COMPONENT KEY

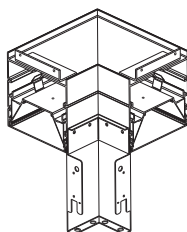
Basic LED Perimeter Parts List



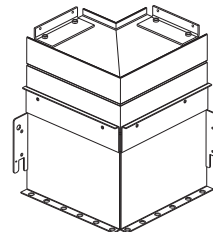
1FT Telescoping Section Parts List



Inside Corner Parts List



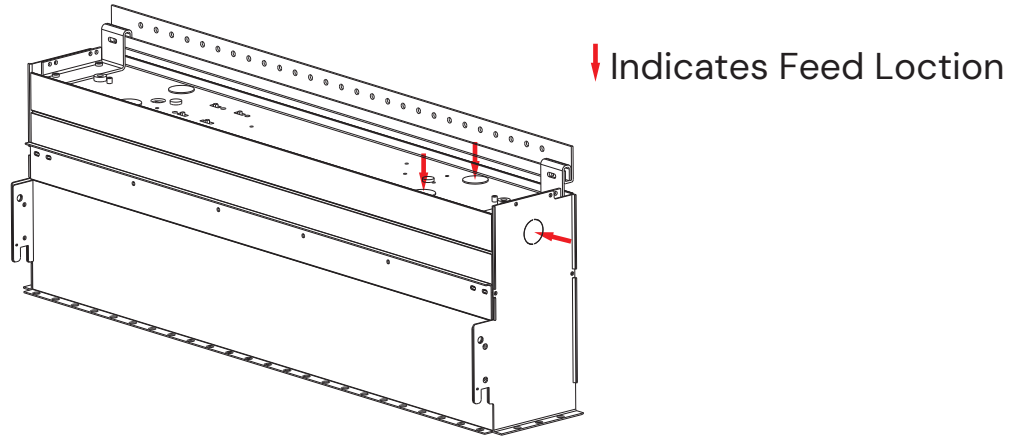
Outside Corner Parts List



HARDWARE BAG LIST

TB3X5 Screw: 1FT Telescoping section, baffle plate and end caps to housing. ST3.7x21 Screw: Mounting bracket, grid plate, baffle plate to dry ceiling.

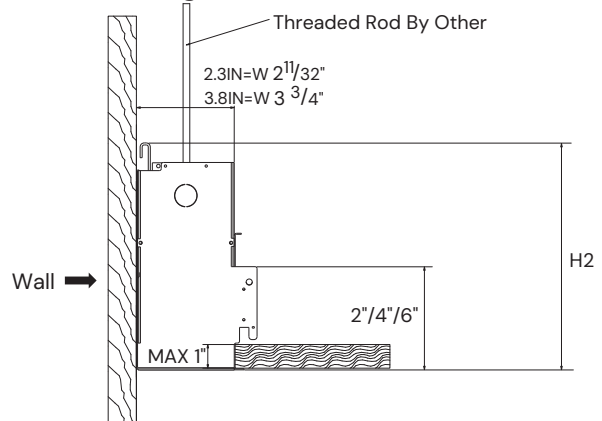
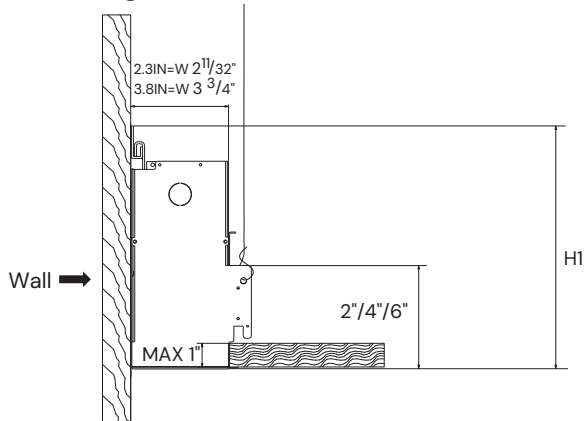
FEED LOCTIONS



WALL/CEILING PREP

Mount On Wall See Page 3~5

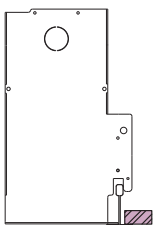
Mount With Threaded Rod See Page 6~8



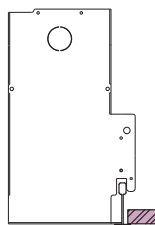
Width	H1			H2		
	Regressed Depth			Regressed Depth		
	2"	4"	6"	2"	4"	6"
2.3" Linear	7 1/8"	9 1/8"	11 1/8"	6 1/2"	8 1/2"	11 1/2"
3.8" Linear	7 13/32"	9 13/32"	11 13/32"	6 25/32"	8 25/32"	11 25/32"

CEILING TYPE

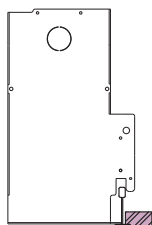
15/16" T-Grid



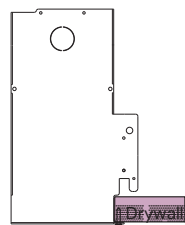
9/16" T-Grid



9/16" Tegular Grid

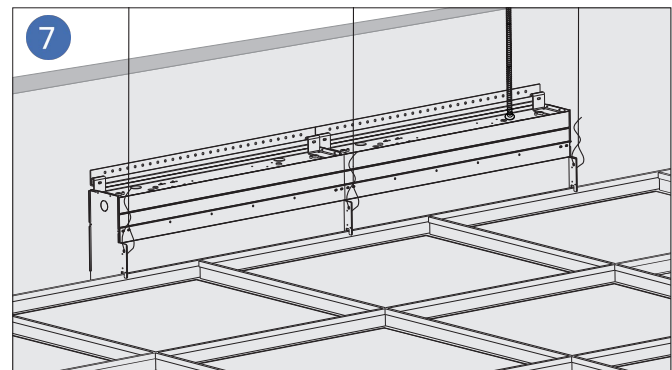
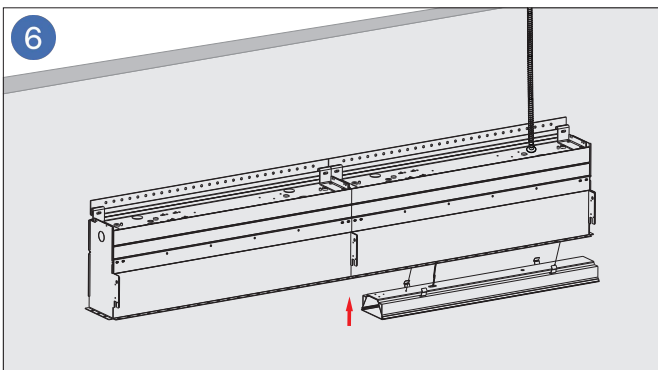
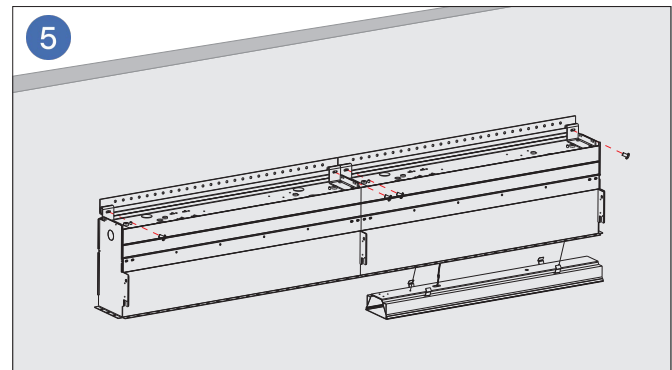
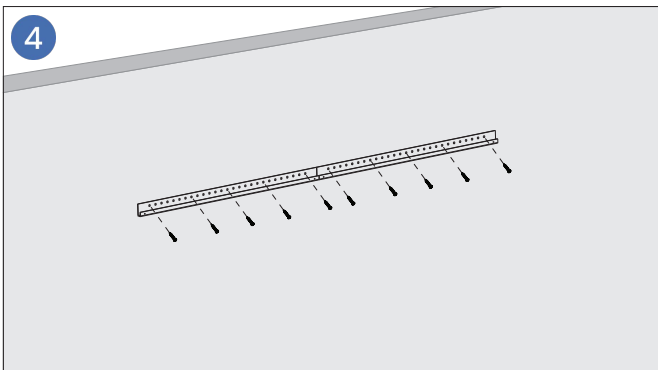
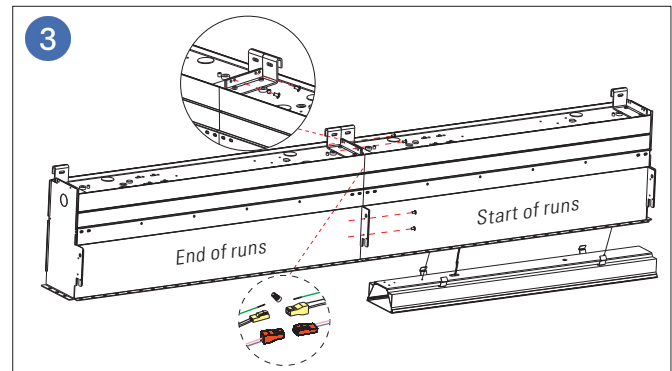
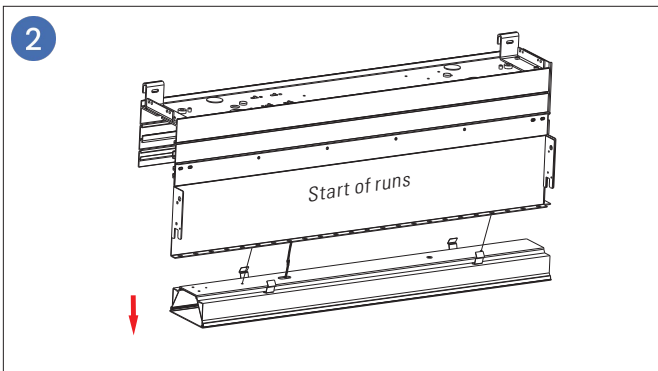
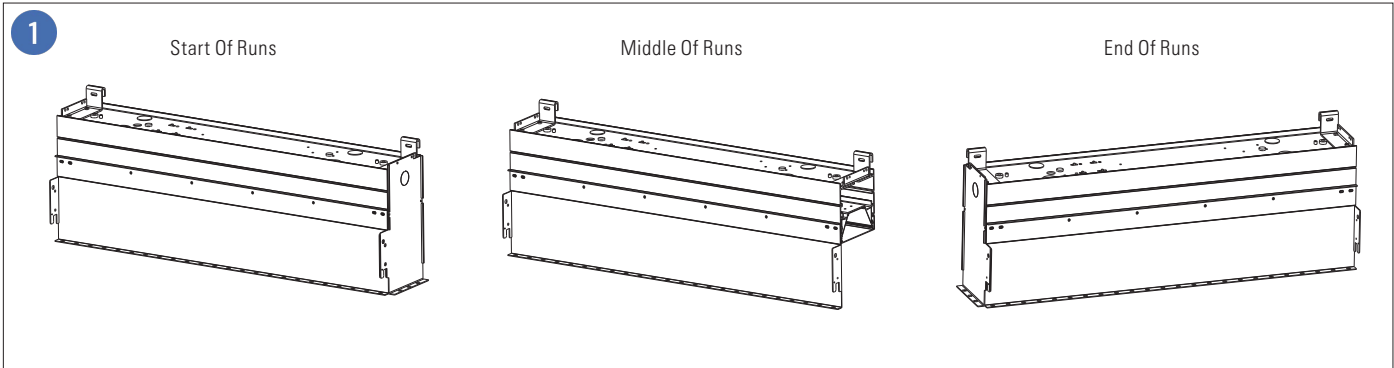


Drywall Trimless





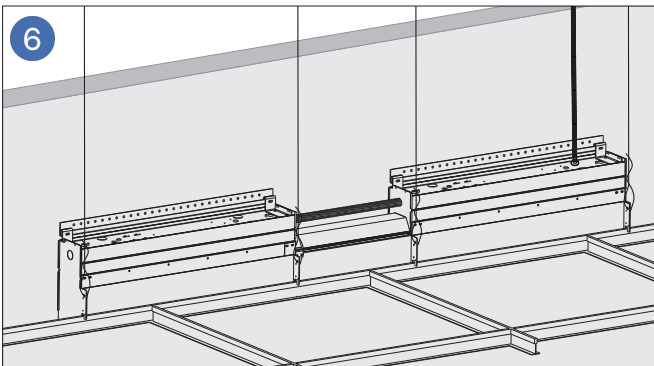
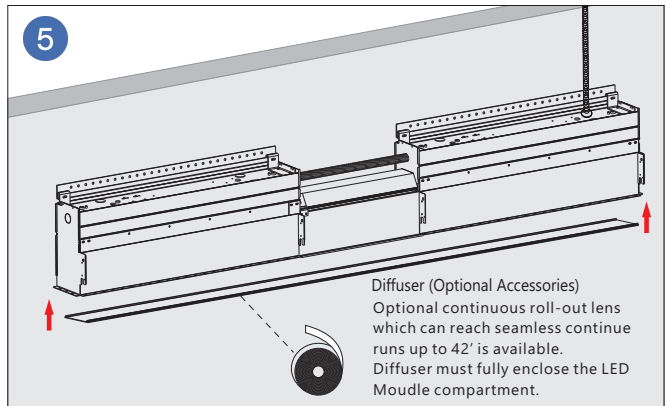
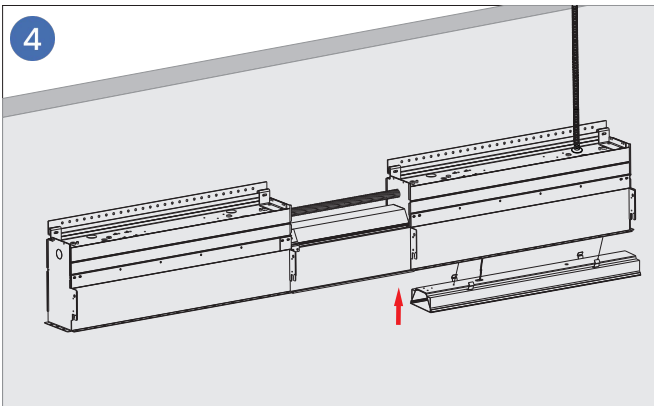
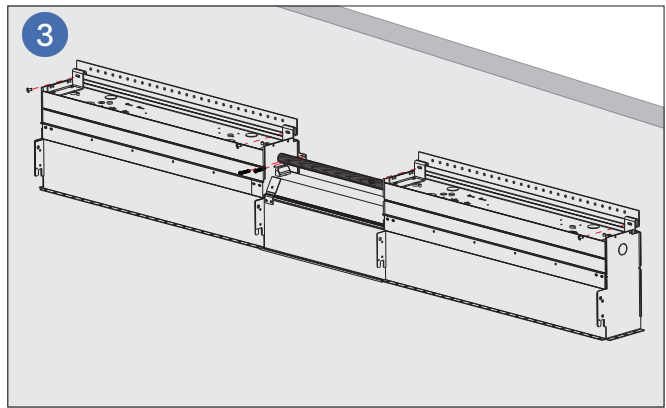
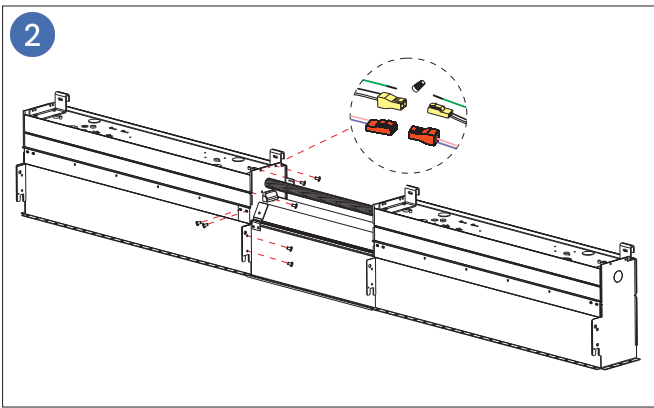
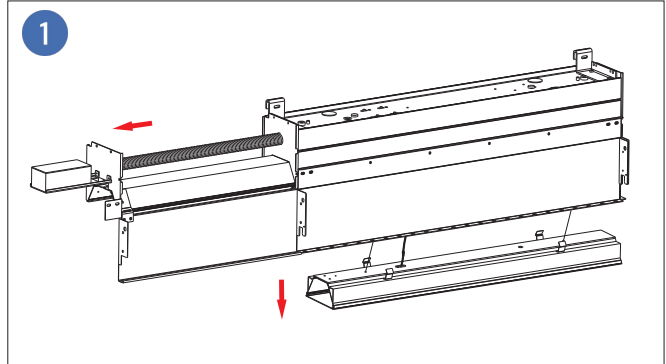
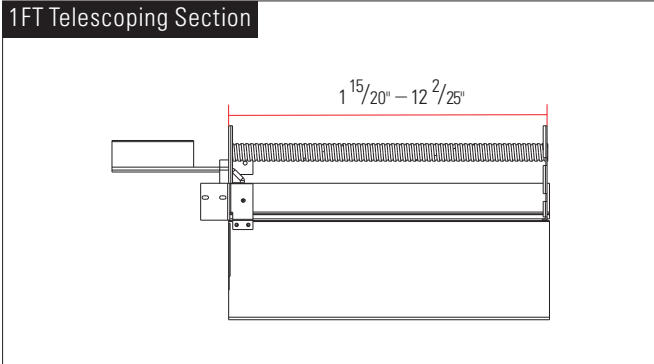
WALL MOUNT INSTALLATION





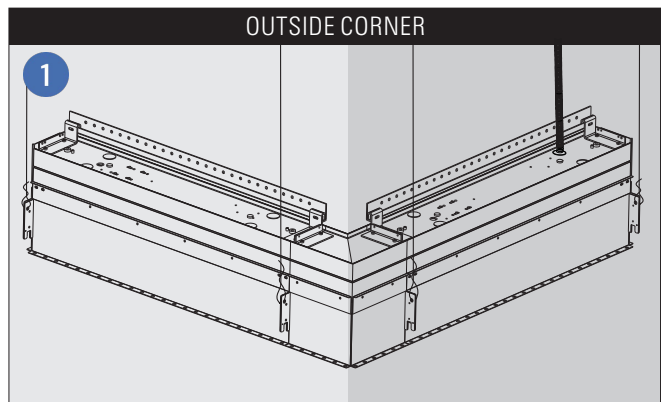
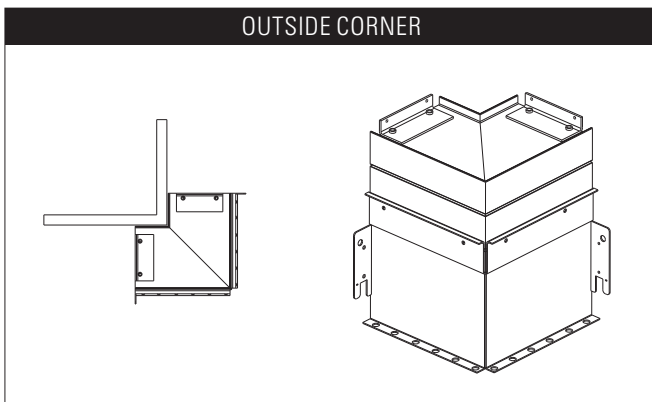
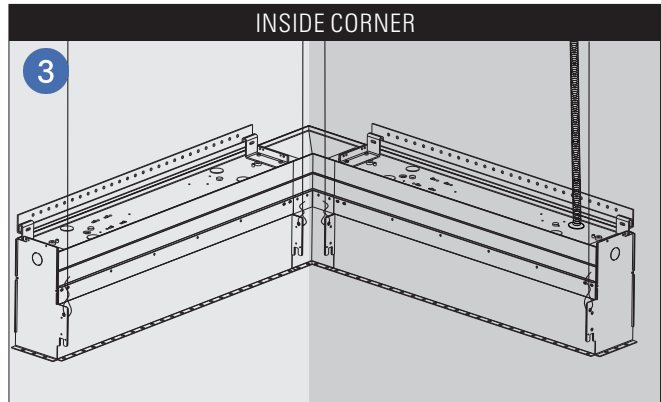
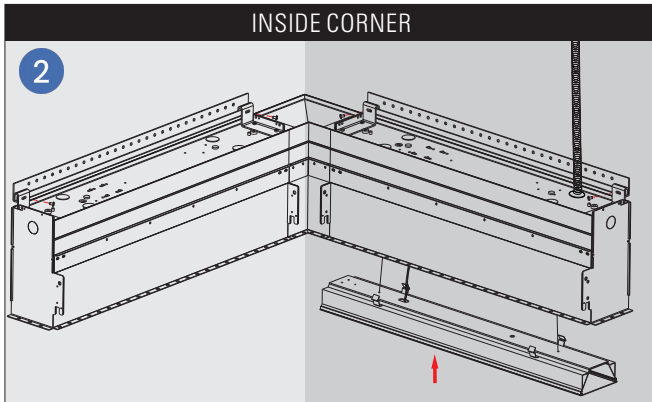
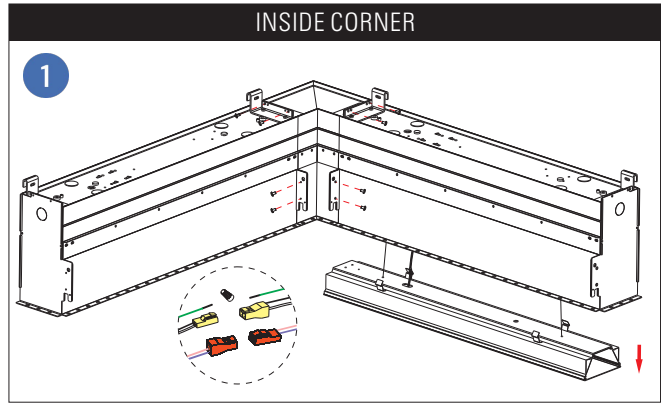
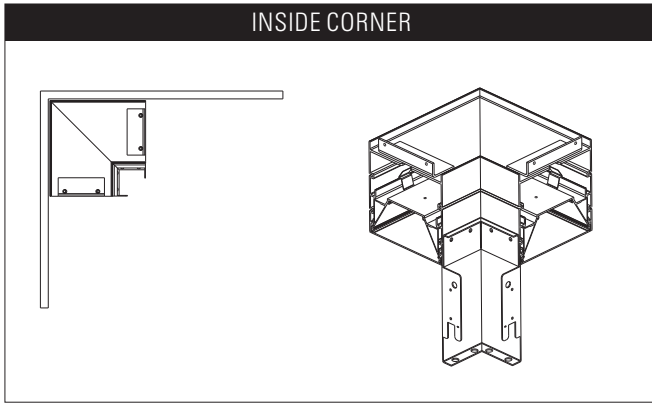
1FT TELESCOPING SECTION WALL MOUNT INSTALLATION

1FT Telescoping Section



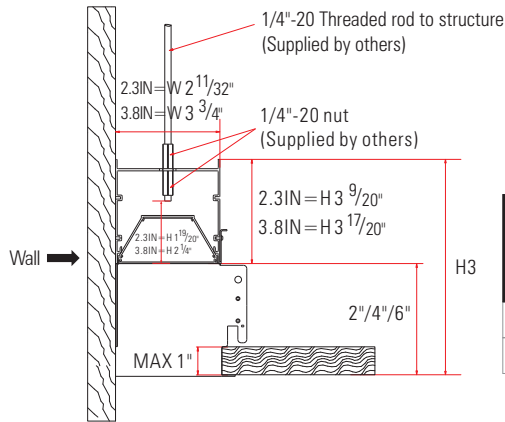
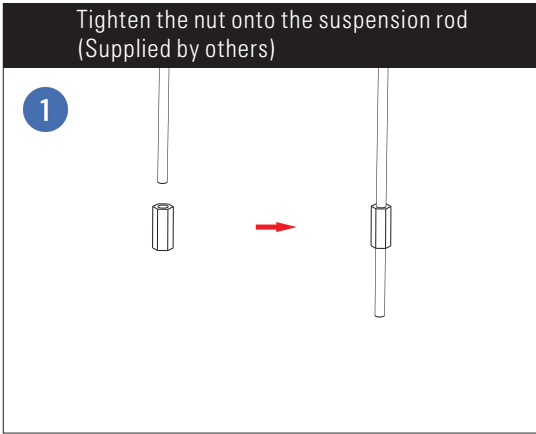


CORNER WALL MOUNT INSTALLATION

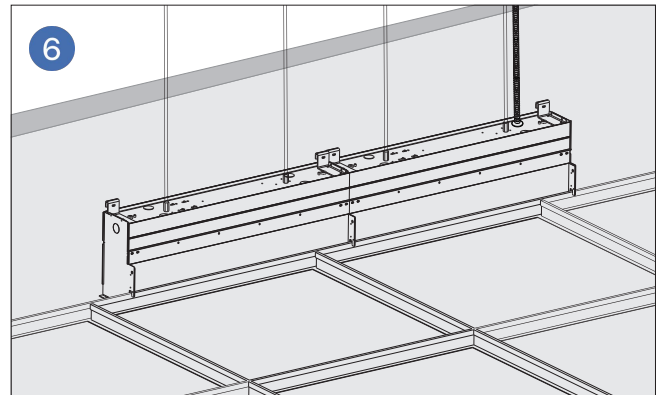
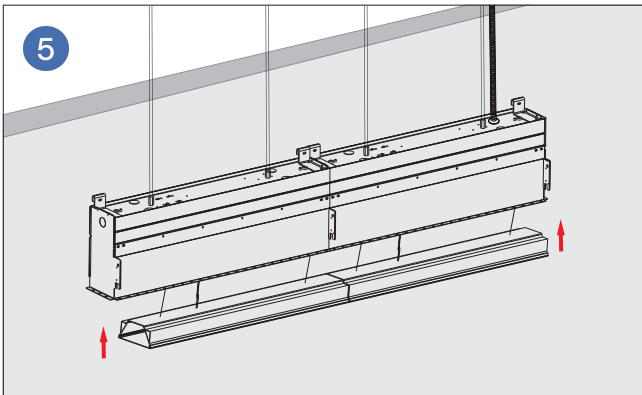
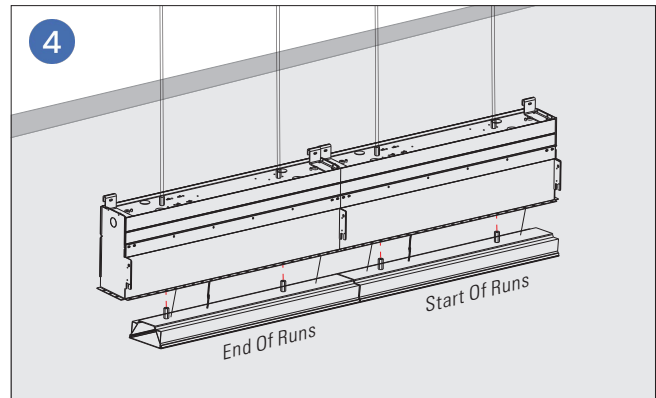
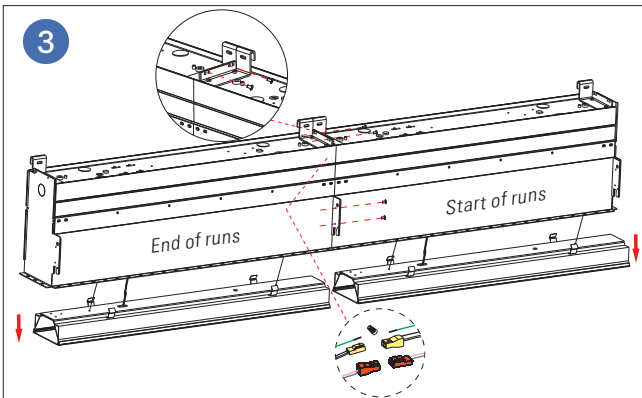
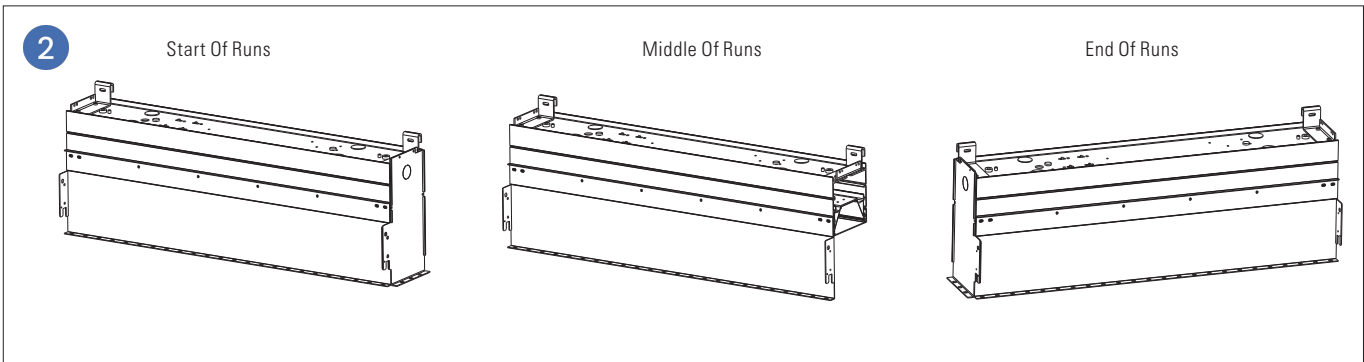




THREADED ROD INSTALLATION



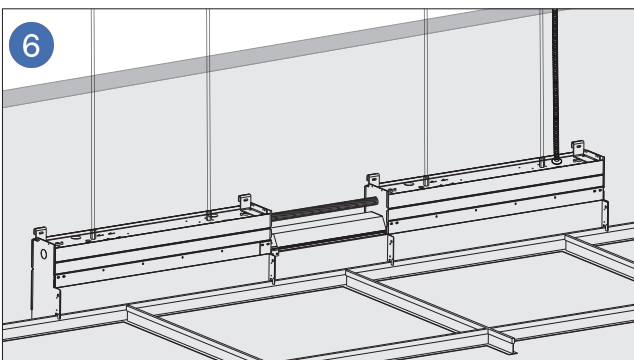
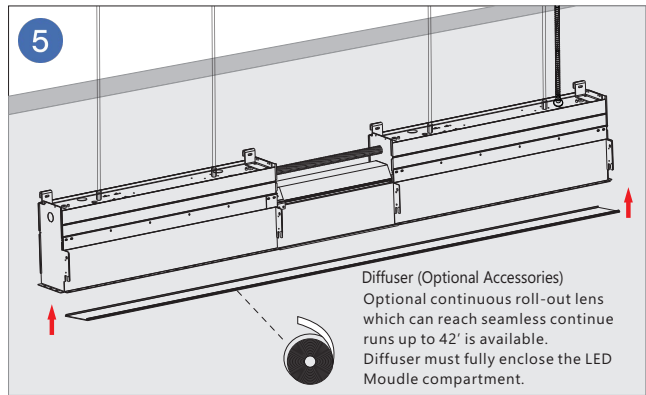
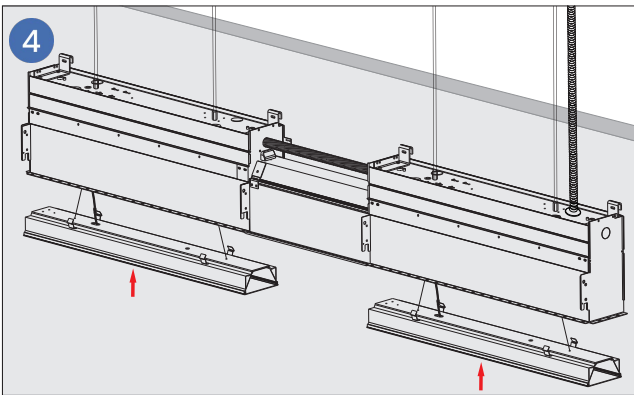
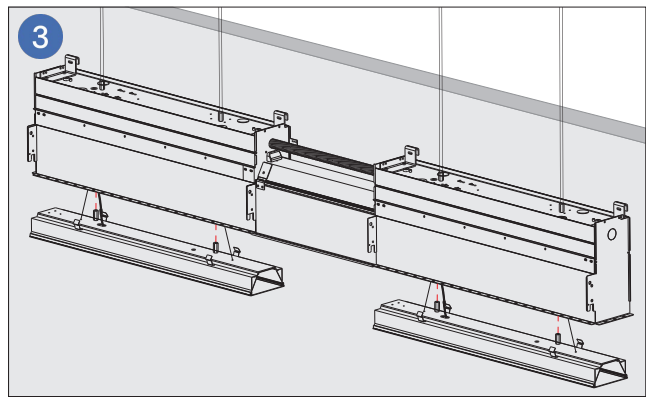
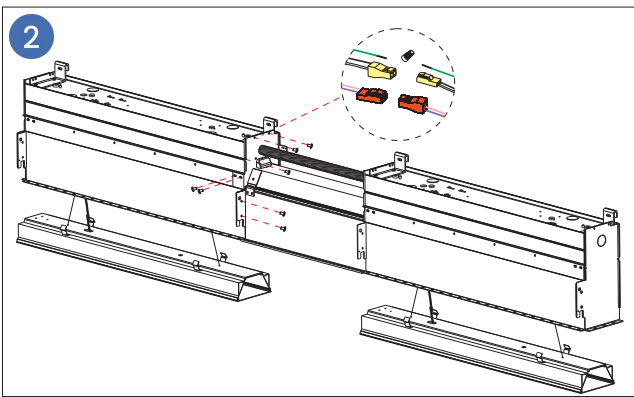
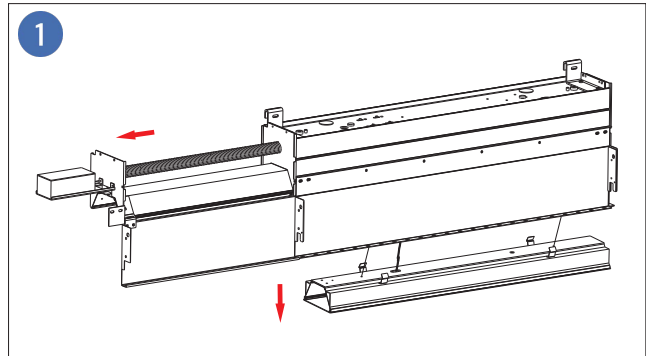
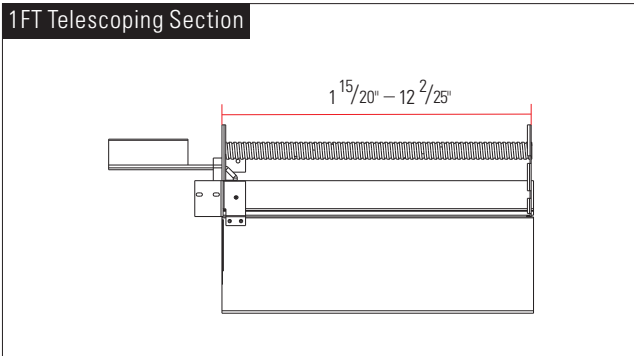
Width	H3		
	Regressed Depth		
	2"	4"	6"
2.3" Linear	5 11/20"	7 11/20"	9 11/20"
3.8" Linear	5 4/5"	7 17/20"	9 17/20"





1FT TELESCOPING SECTION WITH THREADED ROD INSTALLATION

1FT Telescoping Section





CORNER WITH THREADED ROD INSTALLATION

