



**BEFORE YOU BEGIN**

Read and follow all safety instructions



**WARNING**

**RISK OF FIRE, EXPLOSION AND ELECTRIC SHOCK**

- This product should be installed, inspected, and maintained by a qualified electrician only, in accordance with the NEC (National Electric Code) and all local codes.
- Turn off electrical power before inspection, installation or removal.
- Use only UL (or other NTRL) approved wire for input/output connections.
- Make sure LEDs and drivers are cool to touch when performing maintenance. Make sure the supply voltage is the same as the rated voltage of the luminaire.
- Do not install in a hazardous atmosphere, except where the ambient temperature does not exceed the rated operating temperature of the fixture.
- Keep tightly closed when in operation



Prepare Electrical Wiring



**Electrical Requirements**

Must check if the local voltage range is correspond with the working voltage of the fixture. Use min. 75°C supply.



**Grounding Instructions**

The grounding and bonding of the overall system shall be done in accordance with NEC Article 600 and local codes.

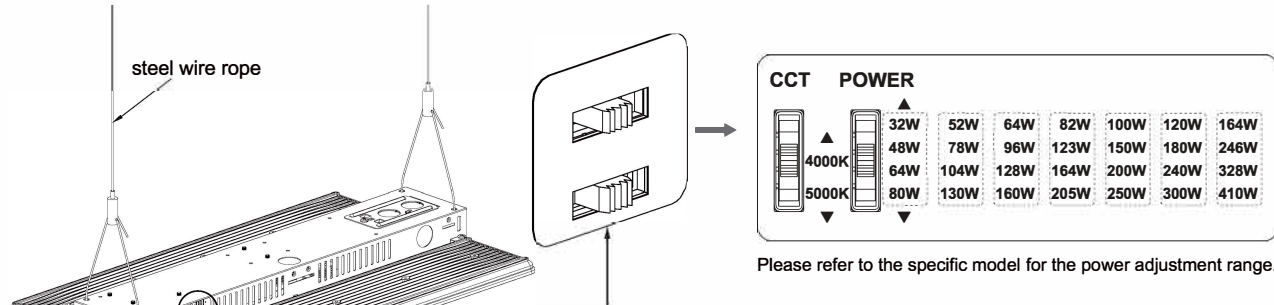


Follow all applicable safety procedures and use Personal Protective Equipment such as hardhats, safety glasses, reflective vest, electrical safety gloves, fall protection equipment and safety toe boots during the installation, operation, and maintenance of the luminaire.

## AC cable (Standard)

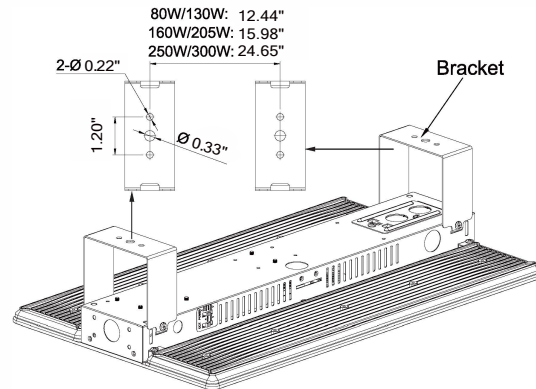
**Note: Inspect the fixture and accessories (especially the installation location) for damage before installing.**

1. Insert the anti-stripping piece of the steel rope into the installation hole of the fixture.
2. Make the electrical connections according with the wiring diagram (Check the label information to ensure that the line voltage is within the available range of the fixture).
3. Push all wires back into housing. Be careful not to pinch wires. Secure flex conduit to access Plate.
4. (optional) Select the appropriate power and color temperature in the actual application of the sliding dip switch, as shown in the following figure.



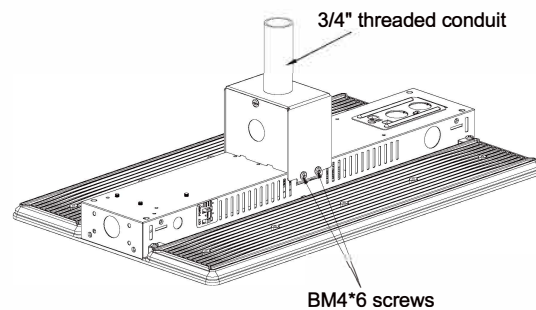
## Surface Mount (Optional)

1. Fix the surface mount bracket with screws (Note that the distance between the two surface mount brackets is within the specified range).
2. Make the electrical connections according with the wiring diagram (Check the label information to ensure that the line voltage is within the available range of the fixture).
3. Push all wires back into housing. Be careful not to pinch wires. Secure flex conduit to access Plate.
4. Install the fixture to the mount surface with screws.



## Conduit Pendant (Optional)

1. Attach pendant junction box to 3/4" threaded conduit (supplied by others) with locknuts.
2. Snapping fixture housing into bracket. Ensure fixture is balanced. Secure with 4pcs BM4\*6 screws.
3. Pull supply wires through side knockout and feed supply wires through flex conduit. Make the electrical connections according with the wiring diagram (Check the label information to ensure that the line voltage is within the available range of the fixture).
4. Secure flex conduit to side panel and secure side panels with screw. Push all wires back into housing. Be careful not to pinch wires. Secure flex conduit to access Plate.



## CLEANING & MAINTENANCE

**CAUTION:** Be sure fixture temperature is cool enough to touch.  
Do not clean or maintain while fixture is energized.

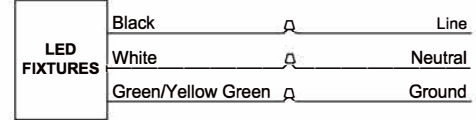
## TROUBLESHOOTING

1. Check that the line voltage at the fixture is correct.  
Refer to wiring directions.
2. Make sure the fixture grounded properly.

## WIRING DIAGRAM

For dimming version, please check wiring diagram below.

### WITHOUT EMERGENCY BATTERY



### WITH EMERGENCY BATTERY

