

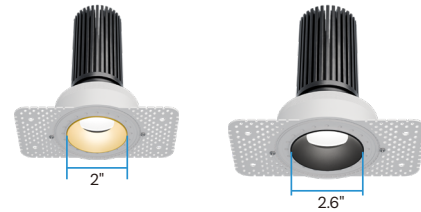
Project Name: _____ Type: _____ Quantity: _____

INTENDED USE

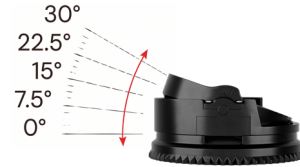
The Mini Recessed LED Downlight offers a discreet, small aperture design for refined architectural integration. Designed for commercial spaces, hospitality environments, high-end hotels, restaurants, retail stores, offices, and modern residences, it delivers precise, consistent illumination ideal for lobbies, galleries, kitchens, bathrooms, and feature walls. Suitable for new construction or renovation, including damp-rated interiors, it provides reliable performance with streamlined installation.

FEATURES

- Construction:** Forged Aluminum
- Mounting:** New Construction Frame Kit (IC and Non-IC). Remodel Non-IC driver box with spring clips
- Wattage:** 5/8/10/13/16/19W selectable switch
- Color Temperature:** 27/30/35/40K
- Beam Angle:** Field-interchangeable options from 15° to 60°
- Light Distribution:** Adjustable downlight with 360° rotation and up to 30° tilt
- Lumens:** Up to 1072 lm (2") and 1700 lm (3")
- Dimming Driver:** Triac & 0-10V (Dim to 1%) Internal
- Emergency Battery:** External 90 min. w/ test switch
- Voltage:** 110-277V AC
- Operating Temperature:** -4°F to +104°F
- Power Factor:** >0.9
- Total Harmonic Distortion:** <20%
- CRI:** 90+
- Life:** 50,000 Hours
- Warranty:** 5 years Carefree for parts & components (Labor not included)
- Listings:** cULus listed for damp and wet locations. Class 2 high-efficiency driver



Tilt Angle And 360° Horizontal Adjustment



ORDERING INFORMATION Example:

Model	Size Shape	Trim	Beam Spread	Color Temp	Mounting	Reflector Finish	Options
14119	2ND ⁴ 2" Round 3ND 3" Round SQN3 3" Square	TFWH White Trim Flange TFBK Black Trim Flange TL Trimless	B15 ⁶ 15° Narrow B24 ⁶ 24° Spot B30 ⁵ 30° Beam B36 ⁶ 36° Flood B50 ⁵ 50° Broad Flood B60 ⁶ 60° Full Flood Low Glare Lens BL18 ⁶ 18° Beam BL24 ⁶ 24° Beam BL38 ⁶ 38° Beam BL50 ⁶ 50° Beam	27K 2700K 30K 3000K 35K 3500K 40K 4000K WD2030 ¹ Warm Dimming (2000K-3000K)	RM ² Remodel NCIC ³ New Construction IC-Rated NC ² New Construction Non-IC rated	Code See options on page 2	XEM16 16W Emergency Battery (External) HLV ⁴ Hexcell Louver WL Wet Location Plate

¹ Available in 13W max and in 95+ CRI

² Non-IC rated

³ IC-rated housing; driver box field-installed

⁴ Not available with Pinhole Round, Pinhole Oval, and Wall Wash options

⁵ Only available with 2ND


⁶ Only available with 3ND and SQN3

SHAPE AND FINISH OPTIONS

Standard Downlights











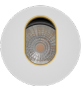





	White	Black	Gold	Chrome
Round	 RW	 RB	 RG	 RC
Square	 SW	 SB	 SG	 SC

Wall Wash Downlights

	White	Black
Round	 WRW	 WRB
Square	 WSW	 WSB

Note: Wall Wash is only available with 60° Beam Angle.

Round Pinhole Downlights

		Pinhole Round		Pinhole Oval		
	Outside →	White	Black	Outside →	White	Black
White	Inside ↓	 PWW	 PWB	Inside ↓	 OWW	 OWB
Black		 PBW	 PBB		 OBW	 OBB
Gold		 PGW	 PGB		 OGW	 OGB
Chrome		 PCW	 PCB		 OCW	 OCB

PERFORMANCE DATA

14119-3ND/SQN3-30K

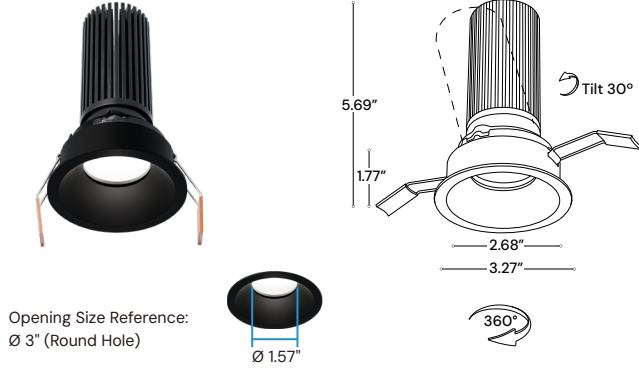
Wattage	Efficacy	24° Beam Round Trim Delivered Lumens	Efficacy	24° Beam Square Trim Delivered Lumens	Warm Dimming (Round & Square)
5W	95LM/W	475 lm	95LM/W	475 lm	Up to 13W 1,200 lm 95+ CRI 3000K-2000K
8W	100LM/W	800 lm	96LM/W	768 lm	
10W	99LM/W	990 lm	95LM/W	950 lm	
13W	95LM/W	1,235 lm	91LM/W	1,183 lm	
16W	91LM/W	1,456 lm	87LM/W	1,390 lm	
19W	89LM/W	1,690 lm	85LM/W	1,615 lm	

14119-2ND-30K

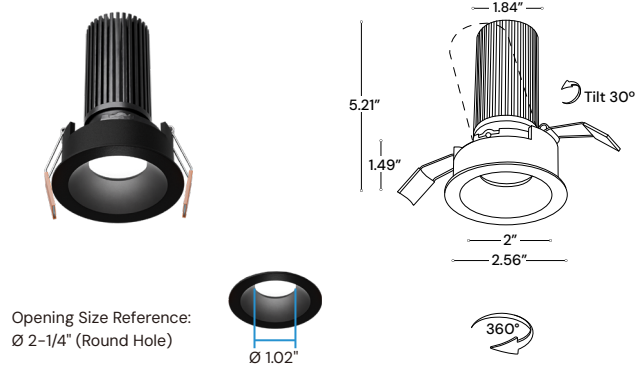
Wattage	Efficacy	30° Beam Delivered Lumens	Efficacy	50° Beam Delivered Lumens	Warm Dimming
5W	67LM/W	335 lm	73LM/W	365 lm	Up to 13W 840 lm 95+ CRI 3000K-2000K
8W	68LM/W	544 lm	74LM/W	592 lm	
10W	67LM/W	670 lm	74LM/W	740 lm	
13W	64LM/W	832 lm	70LM/W	910 lm	
16W	61LM/W	976 lm	67LM/W	1,072 lm	

LINE DRAWINGS & DIMENSIONS

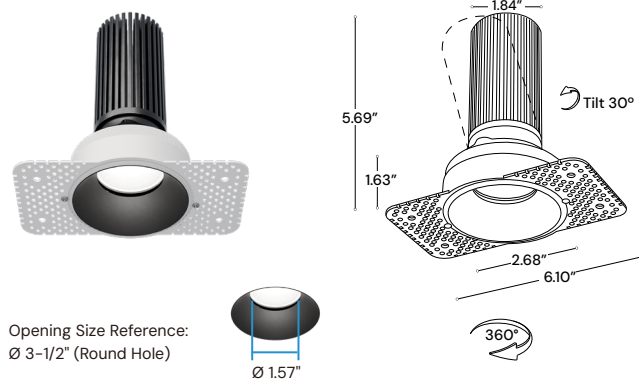
14119-3ND-TFBK



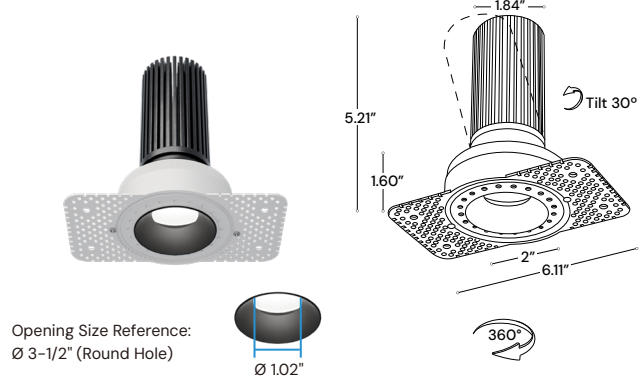
14119-2ND-TFBK



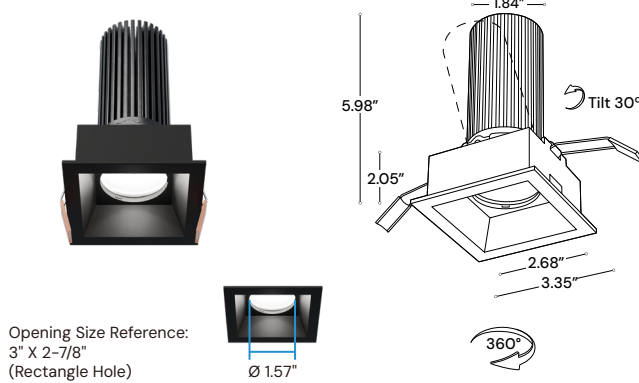
14119-3ND-TL



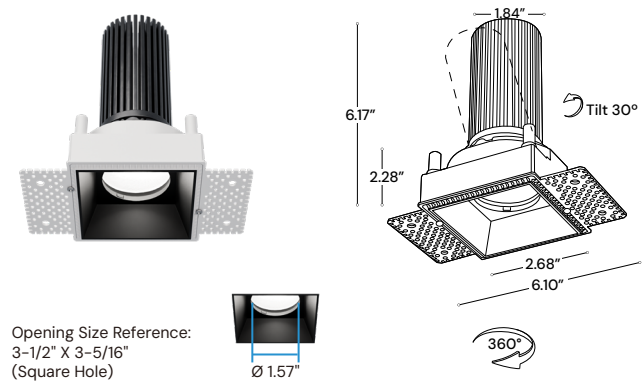
14119-2ND-TL



14119-SQN3-TFBK



14119-SQN3-TL

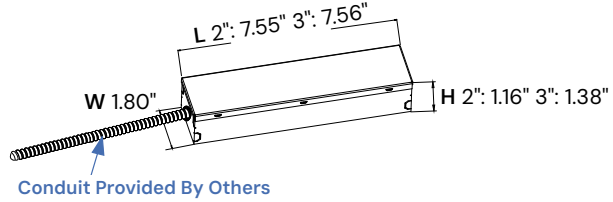


APPLICATIONS

Remodel (NON-IC)- LED Driver Box



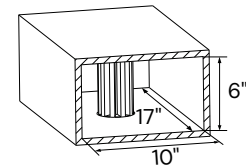
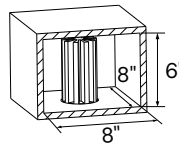
Designed for integration into existing finished ceilings, this housing enables precise, low-impact installation through a clean drywall cutout. Spring-loaded tension clips secure the fixture directly to the ceiling plane, eliminating the need for structural framing between joists. Its compact, retrofit-friendly design makes it well-suited for upgrading lighting layouts in residential and commercial interiors where access above the ceiling is limited.



Mounting Space Required

Up to 10W: Min 8" X 8" X 6"

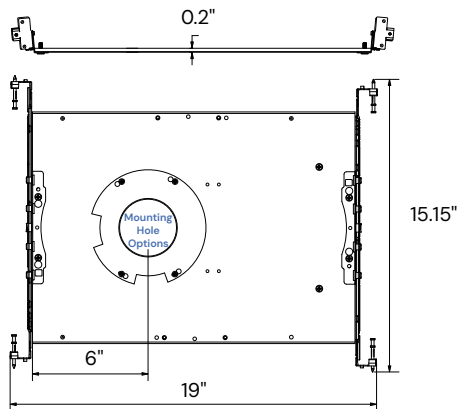
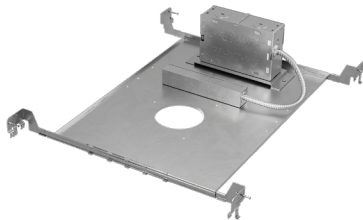
Up to 19W: Min 17" X 10" X 6"



New Construction-Frame Kit (NON-IC)

Designed for open ceilings, this frame kit establishes fixture placement early in construction. It mounts to joists for precise alignment and consistent spacing. A magnetic driver mounting system allows tool-free installation while keeping components organized and accessible. Suitable for residential, commercial, and light industrial projects requiring accurate coordination with structural elements.

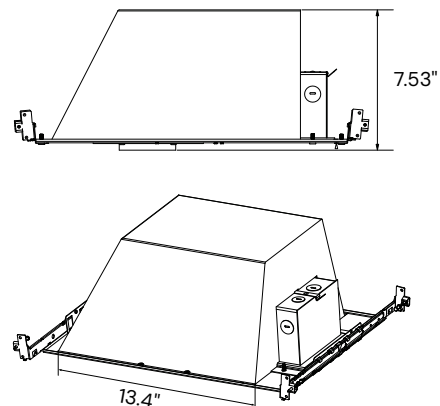
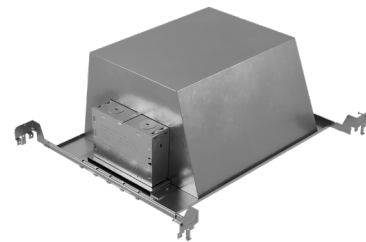
Mounting Space Required:
Min 14" X 19" X 6"
Max 24" X 19" X 6"



New Construction-Housing Insulation Kit (IC)

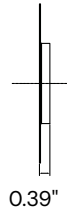
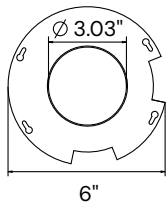
Engineered for insulated ceiling assemblies, this IC-rated housing allows direct contact with surrounding insulation without compromising safety or performance. It supports continuous thermal barriers, helping maintain energy efficiency and airtight construction. Suitable for residential, commercial, and industrial applications, it is particularly effective in projects where energy codes and high-performance building standards are a priority.

Mounting Space Required:
Min 14" X 19" X 7-5/16"
Max 24" X 19" X 7-5/16"

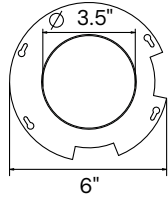


MOUNTING HOLE OPTIONS

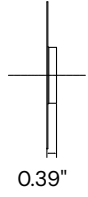
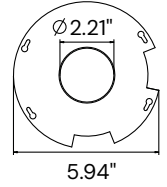
14119-3ND



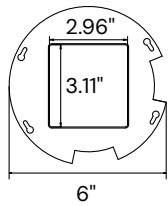
14119-3ND-TL



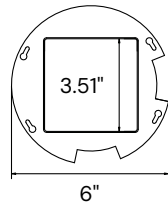
14119-2ND



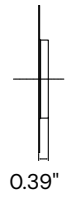
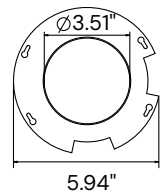
14119-SQN3



14119-SQN3-TL



14119-2ND-TL



LENS

Integrating a classic architectural silhouette with advanced optical performance, this luminaire is engineered for precision and visual comfort. The high-transmittance reflector system ensures maximum efficiency while providing sophisticated glare mitigation. The resulting beam profile features a smooth intensity gradient with a soft-edge fade-out, eliminating harsh contrast lines and reducing visual fatigue within the space.

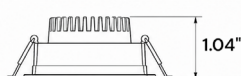
Key Engineering Features:

- **Dimensional Compatibility:** Built to the industry-standard MR16 form factor (1.96" diameter), ensuring seamless integration into a wide array of existing and new-build housing hardware.
- **Interchangeable Optics:** Designed for site-specific tuning, the system supports beam angles ranging from 15° to 60°. Standard Lens 3": 15°/24°/36°/60° and 2": 30°/50°.
- **Field Versatility:** Features a tool-less optical locking mechanism, allowing lighting designers and contractors to swap distributions in the field rapidly to accommodate evolving floor plans or art displays.

Standard Lens



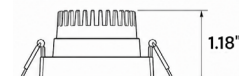
15° 24° 30° 36° 50° 60°



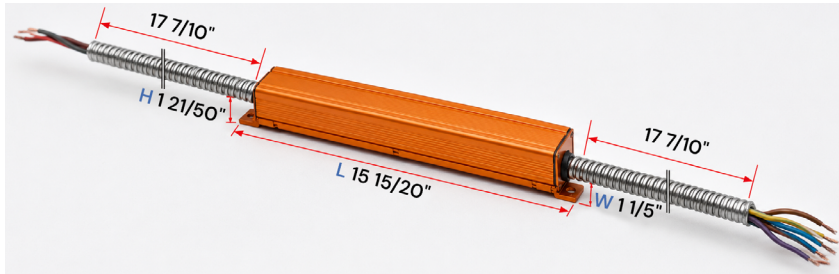
Low Glare Lens



18° 24° 38° 50°



EMERGENCY BATTERY WITH TEST SWITCH



UL Listed for the U.S. and Canada and compliant with UL 924, this emergency LED driver supports field or factory installation in commercial, residential, and light industrial applications. It meets CEC Title 20 requirements and integrates a maintenance-free LiFePO4 battery, charger, and control system in a compact enclosure.

Designed to operate with an AC LED driver, it provides a fixed 16W emergency output at 170V DC. The unit includes automatic self-testing (monthly, semi-annual, annual), status indication, and a remote test switch for monitoring and manual testing. Recharge time is 24 hours with built-in overcharge and over-discharge protection.

Battery Integration and Operation:

- Operates in conjunction with the AC LED driver (does not power LEDs directly)
- Delivers 16W emergency output at 170V DC
- Automatically switches to emergency mode during power failure
- Provides reduced lumen output for a minimum of 90 minutes
- Automatically returns to charging mode when power is restored

Test Switch Functionality:

Monthly Test: ~35-second automatic self-test every 30 days

Semi-Annual Test: 30-minute automatic test every 180 days

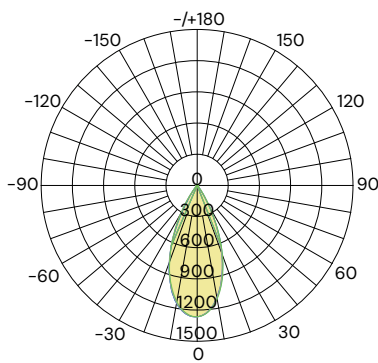
Annual Test: 90-minute automatic test every 365 days

Manual Testing:

- Single press: initiates 35-second test
- Double press: initiates 30-minute test
- Triple press: initiates 90-minute test
- Long press: cancels active test or resets system

PHOTOMETRY

14119-2ND / 10W / 30K / B50



AVERAGE BEAM ANGLE (50%): 44.7°

Lumens: 711.83 lm
Watts: 10 W
LPW: 74.02 Lm/W
CCT: 3000K

UNIT:cd
— C0/180, 44.7°
— C30/210, 44.6°
— C60/240, 44.7°
— C90/270, 44.9°

Zonal Flux Diagram

T	C0	C45	C90	C135	C180
10	1103	1098	1108	1136	1149
20	707.5	695.1	709.7	754.8	784.6
30	235.5	250.8	252.5	286.5	288
40	28.5	34.08	34.15	43.27	43.93
50	4.399	4.663	4.221	4.627	4.103
60	3.207	3.187	3.495	3.034	3.023
70	1.18	1.284	1.499	1.207	1.123
80	0.1182	0.1257	0.3123	0.0988	0.0806
90	0	0	0	0	0
100	0	0.0317	0	0.0137	0
110	0.2477	0.2844	0.2788	0.2483	0.0813
120	0.8568	0.97	0.9235	0.8664	0.3527
130	1.926	2.035	2.005	1.9	1.112
140	3.24	3.329	3.313	3.208	2.277
150	4.387	4.428	4.405	4.366	3.568
160	4.907	4.838	4.888	4.897	4.398
170	4.84	4.838	4.906	4.893	4.695
180	4.93	4.919	4.942	4.988	4.903
DEG	LUMINOUS INTENSITY:cd				

Zonal Lumens

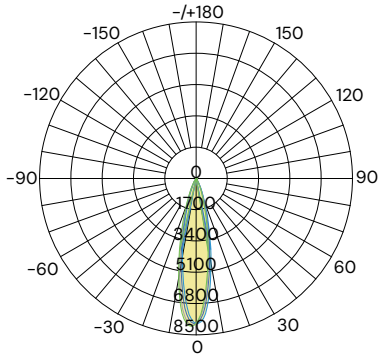
T	φ total
0-10	113.9
10-20	377.2
20-30	605.2
30-40	683.9
40-50	696.3
50-60	699.7
60-70	702
70-80	702.8
80-90	702.9
90-100	702.9
100-110	703
110-120	703.3
120-130	704.2
130-140	705.9
140-150	708
150-160	710
160-170	711.4
170-180	711.8
UNIT: lm	

Luminance cd/(m2)

G(DEG)	C0/180	C90/270
85	155	312
80	340	899
75	1118	1658
70	1723	2191
65	2260	2944
60	3204	3496
55	3327	3276
50	3418	3284
45	5071	6881

PHOTOMETRY

14119-3ND / 19W / 30K / B24



AVERAGE BEAM ANGLE (50%): 22.6°

Lumens: 1687.3 lm
Watts: 19 W
LPW: 89.60 Lm/W
CCT: 3000K

UNIT:cd
 — CO/180, 22.6°
 — C30/210, 22.5°
 — C60/240, 22.6°
 — C90/270, 22.5°

Zonal Flux Diagram

T	CO	C45	C90	C135	C180
10	4692	4157	3789	3903	4333
20	1363	1157	1005	1035	1168
30	307.5	269.5	220.7	207.2	240.7
40	14.08	14.54	14.73	14.24	13.66
50	4.167	4.152	4.343	4.449	4.585
60	2.91	3.014	3.282	3.277	3.334
70	1.667	1.879	2.086	2.094	1.894
80	0.4451	0.4716	0.6493	0.5151	0.4606
90	0.0311	0.0135	0.0317	0.0091	0.0223
100	0.0266	0.045	0.0227	0.0453	0.0444
110	0.2036	0.2749	0.3032	0.3265	0.0979
120	1.077	1.306	1.511	1.5	0.5293
130	3.854	4.383	4.893	4.808	2.099
140	8.471	9.035	9.516	9.46	6.04
150	11.99	12.27	12.49	12.45	10.65
160	13.21	13.05	13.1	12.98	12.59
170	11.69	11.24	11.06	10.99	11.16
180	9.987	10.21	10.16	10.3	10.01
DEG	LUMINOUS INTENSITY:cd				

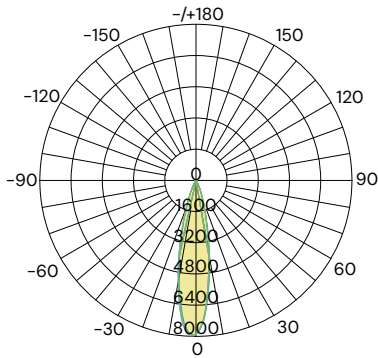
Zonal Lumens

T	φ total
0-10	576.8
10-20	1287
20-30	1588
30-40	1652
40-50	1658
50-60	1661
60-70	1664
70-80	1665
80-90	1665
90-100	1665
100-110	1665
110-120	1666
120-130	1667
130-140	1671
140-150	1677
150-160	1683
160-170	1686
170-180	1687
UNIT: lm	

Luminance cd/(m2)

G(DEG)	CO/180	C90/270
85	180	638
80	744	1063
75	1112	1426
70	1414	1735
65	1711	1995
60	1689	1866
55	1756	1832
50	1881	1921
45	2314	2250

14119-SQN3 / 19W / 30K / B24



AVERAGE BEAM ANGLE (50%): 22.5°

Lumens: 1609.3 lm
Watts: 19 W
LPW: 85.64 Lm/W
CCT: 3000K

UNIT:cd
 — CO/180, 22.5°
 — C30/210, 22.5°
 — C60/240, 22.8°
 — C90/270, 22.5°

Zonal Flux Diagram

T	CO	C45	C90	C135	C180
10	4048	3864	3957	4441	5003
20	990	983	1048	1205	1367
30	188.4	199.2	211.4	234.7	273.7
40	11.87	15.51	12.83	17.25	14.22
50	7.034	7.424	7.276	7.575	7.011
60	6.75	7.004	7.307	8.8	6.668
70	1.541	2.531	1.626	3.081	1.64
80	0.4825	0.4814	0.6059	0.4547	0.458
90	0.0315	0.0225	0.0454	0.0226	0.027
100	0.027	0.0496	0.0316	0.0406	0.054
110	0.211	0.2483	0.2026	0.1987	0.099
120	1.222	1.277	1.199	1.043	0.3785
130	4.31	4.431	4.33	3.869	1.564
140	8.86	8.974	8.882	8.419	5.014
150	11.92	11.94	11.92	11.68	9.68
160	12.72	12.49	12.62	12.55	12.14
170	10.7	10.46	10.7	10.82	11.03
180	9.356	9.628	9.623	9.696	9.401
DEG	LUMINOUS INTENSITY:cd				

Zonal Lumens

T	φ total
0-10	198.8
10-20	656.9
20-30	1051
30-40	1188
40-50	1209
50-60	1215
60-70	1219
70-80	1221
80-90	1221
90-100	1221
100-110	1221
110-120	1222
120-130	1224
130-140	1227
140-150	1230
150-160	1234
160-170	1236
170-180	1237
UNIT: lm	

Luminance cd/(m2)

G(DEG)	CO/180	C90/270
85	140	554
80	619	774
75	849	911
70	1004	1055
65	2826	2900
60	3007	3243
55	2626	2749
50	2437	2512
45	2299	2348

COLOR TEMPERATURE GUIDE

<p>2700K</p> <p>WARM WHITE</p> <p>friendly personal intimate</p> <p>HOMES LIBRARIES RESTAURANTS</p> <p>✓</p>	<p>3000K</p> <p>SOFT WHITE GLOW</p> <p>soft warm pleasing</p> <p>HOMES HOTEL ROOMS LOBBIES RETAIL STORES</p> <p>✓</p>	<p>3500K</p> <p>NEUTRAL GLOW</p> <p>sociable inviting non-threatening</p> <p>EXECUTIVE OFFICES RECEPTION AREAS SUPERMARKETS</p> <p>✓</p>	<p>4000K</p> <p>COOL WHITE GLOW</p> <p>neat clean efficient</p> <p>OFFICES CLASSROOMS MASS MERCHANTISERS SHOWROOMS</p> <p>✓</p>	<p>5000K</p> <p>DAYLIGHT GLOW</p> <p>bright cool alert</p> <p>GRAPHICS INDUSTRY HOSPITALS GALLERIES BEAUTY SALONS</p> <p>✗</p>
--	---	--	---	--