

**WARNING:** Risk of electric shock. Disconnect power to the luminaire before installation. Failure to do so may result in serious injury or death. To prevent wiring damage or abrasion, do not pinch or damage exposed wiring during installation. Keep wiring clear of sheet metal edges and other sharp objects.

### CAUTION

Read and understand all instructions before installation. Installation must be performed by a qualified electrician and in accordance with all national and local electrical codes.

### NOTES

- Carefully unpack and identify all parts before installation. Retain these instructions for future reference.
- This product is designed to comply with UL514A and current NEC requirements. Local code requirements may vary. Confirm compliance with all applicable building and electrical codes prior to installation.
- Minimum concrete slab depth required: 4 inches (102 mm). Confirm slab thickness prior to specification and installation.
- Once installed in a concrete pour application, the housing becomes permanently encased and cannot be repositioned or removed.
- All serviceable components, including optional Emergency Battery Backup assemblies, must remain accessible through the ceiling aperture after construction is complete. Do not specify Emergency Battery Backup when post-pour service access cannot be confirmed.

### PRODUCT OVERVIEW

**Application:**

4" deep concrete junction box designed for poured concrete ceiling installations and compatible LED retrofit modules.

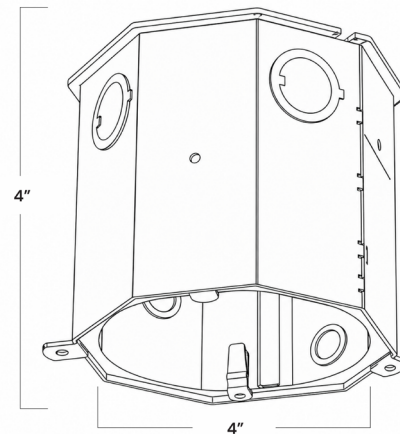
**Installation Method:**

The housing is secured to temporary formwork prior to the concrete pour to permanently establish fixture location within the slab.

**Retrofit Compatibility:**

The LED retrofit module is engineered to sit flush within the housing at the correct installation depth. Internal clearance is designed to accommodate the driver and junction box wiring when installed in accordance with these instructions.

## 14106 | INSTALLATION INSTRUCTIONS 4" CONCRETE POUR JUNCTION BOX



**WARNING:** Risk of electric shock. Disconnect power to the luminaire before installation. Failure to do so may result in serious injury or death. To prevent wiring damage or abrasion, do not pinch or damage exposed wiring during installation. Keep wiring clear of sheet metal edges and other sharp objects.

## POURED CONCRETE CEILING HOUSING INSTALLATION

### Step 1: Prepare Formwork

Use the included template or trace the outline of the junction box on the temporary wooden board.

### Step 2: Cut Opening

Cut the appropriately sized opening in the temporary wooden board.

### Step 3: Insert Housing

Insert the junction box through the opening in the temporary wooden board. (Fig. 1)

### Step 4: Secure Housing

Secure the junction box to the temporary wooden board. (Fig. 2)

### Step 5: Install Conduit & Wiring

Remove the required knockouts and install the required conduit fittings and flexible conduit as needed. Complete all wiring connections in accordance with local electrical codes.

### Step 6: Pour Concrete

Pour concrete around the installed housing. (Fig. 3)

### Step 7: Remove Formwork

After the concrete has fully cured, remove the temporary wooden board. (Fig. 4)

Fig. 1

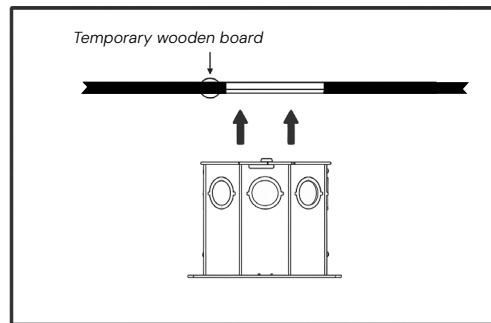


Fig. 2

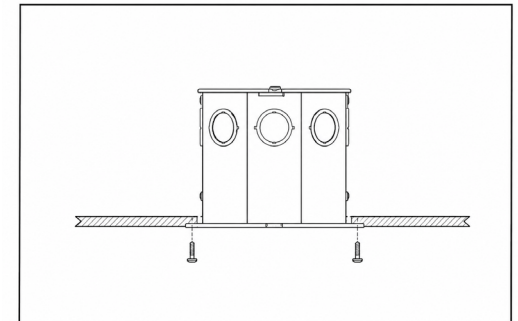


Fig. 3

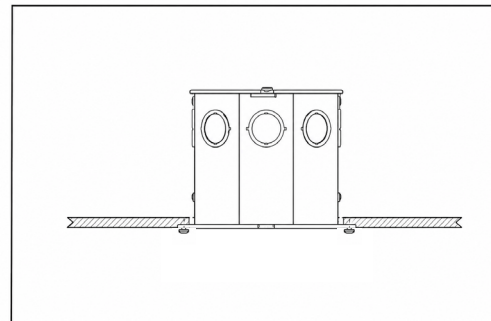
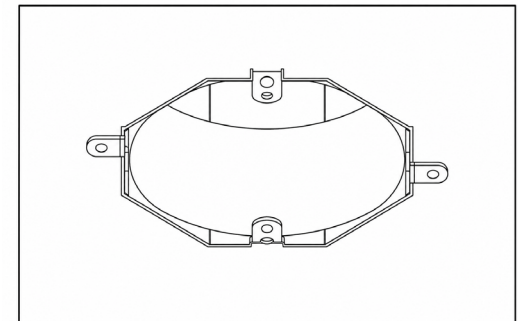


Fig. 4



**WARNING:** Risk of electric shock. Disconnect power to the luminaire before installation. Failure to do so may result in serious injury or death. To prevent wiring damage or abrasion, do not pinch or damage exposed wiring during installation. Keep wiring clear of sheet metal edges and other sharp objects.



## LED RETROFIT KIT INSTALLATION

### Step 1: Remove Snap-Off Tabs

Using pliers, bend the snap-off tabs until they fully detach from the junction box. (Fig. 5)

### Step 2: Prepare Knockout

Remove one side knockout to install the conduit fitting for the flexible conduit containing the supply wires. (Fig. 6)

### Step 3: Install Housing

Install the junction box in the ceiling following the Poured Concrete Ceiling Housing Installation instructions. (Page 2)

### Step 4: Route Supply Wiring

Secure the conduit fitting to the open knockout and route supply wires into the junction box. Connect the ground wire to the junction box using the supplied ground screw and cup washer. (Fig. 6)

### Step 5: Connect Retrofit Module

Install the appropriate connector onto the supply wires to mate with the connector on the LED retrofit module. Complete all wiring connections. (Fig. 7)

### Step 6: Position Wiring

Carefully fold and position wiring toward the top of the junction box to maximize internal clearance for the retrofit module.

### Step 7: Install LED Retrofit Module

Compress the mounting clips and insert the retrofit module into the junction box until fully seated and flush with the ceiling surface. (Fig. 7)

Fig. 5

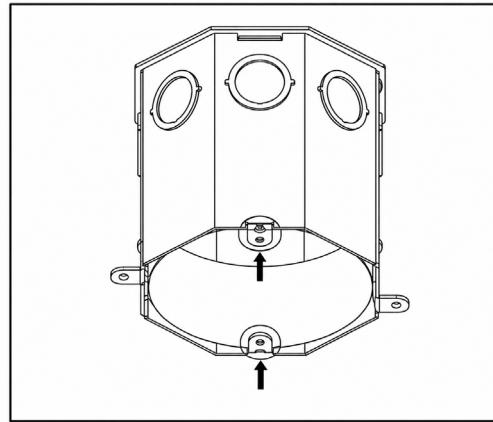


Fig. 6

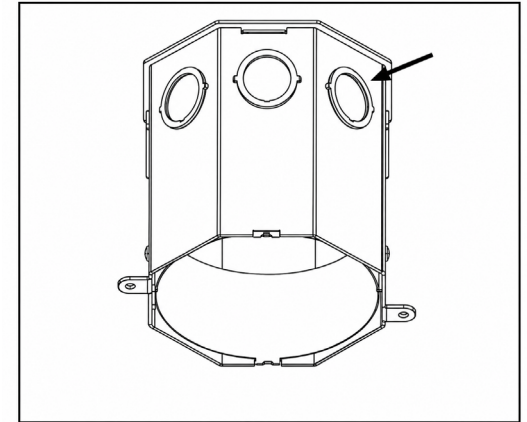
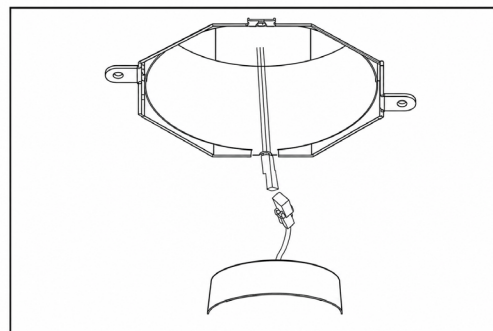


Fig. 7



**WARNING:** Risk of electric shock. Disconnect power to the luminaire before installation. Failure to do so may result in serious injury or death. To prevent wiring damage or abrasion, do not pinch or damage exposed wiring during installation. Keep wiring clear of sheet metal edges and other sharp objects.

## WARNING

- Install this retrofit kit only in luminaires with compatible construction features and dimensions. Do not exceed the input rating of the existing luminaire.
- Do not modify or create additional openings in the luminaire enclosure during installation.
- To prevent wiring damage or abrasion, keep wiring clear of sheet metal edges and other sharp objects.
- For wet location installations, ensure the ceiling cavity is properly waterproofed.

## CAUTION

Read and understand all instructions before installation. Installation must be performed by a qualified electrician and in accordance with all national and local electrical codes.

## NOTES

- Carefully unpack and identify all parts before installation. Retain these instructions for future reference.
- This retrofit assembly is accepted as a component of a LED luminaire where suitability of the combination shall be determined by applicable authorities having jurisdiction.
- This device is not intended for use with emergency exit fixtures.

## COMPATIBILITY REQUIREMENTS

- Minimum housing diameter: 4 inches
- Minimum housing height: 5.5 inches
- LED Retrofit Module (Included)
- Socket Adapter Assembly (Included)

## 14106 | INSTALLATION INSTRUCTIONS 4" LED MODULE COMPATIBILITY



14106-4ND-D - Direct Downlight Round



14106-4ND-ADJ-BA - Adjustable Baffle Reflector



14106-4ND-ADJ - Adjustable Round



14106-SQN4-D - Direct Downlight Square



14106-SQN4-ADJ - Adjustable Square

**WARNING:** Risk of electric shock. Disconnect power to the luminaire before installation. Failure to do so may result in serious injury or death. To prevent wiring damage or abrasion, do not pinch or damage exposed wiring during installation. Keep wiring clear of sheet metal edges and other sharp objects.



## INCANDESCENT HOUSING INSTALLATION

### Step 1: Remove Socket Bracket

Unscrew the wing nut inside the housing to detach the socket bracket. Remove the socket from the bracket. (Fig. 1)

### Step 2: Install Socket Adapter

Thread the socket adapter into the existing socket. (Fig. 2)

### Step 3: Connect Retrofit Module

Connect the female connector from the retrofit module to the male connector on the socket adapter assembly. (Fig. 3)

### Step 4: Insert Friction Blades

Compress both friction blade arms and insert the retrofit module into the housing. (Fig. 4)

### Step 5: Secure Retrofit Module

Carefully tuck all wiring into the housing and push the retrofit module into place until fully seated.

**Note:** For shallow housings, position the socket adapter and socket adjacent to the LED driver to maximize internal clearance prior to insertion. (Fig. 2 & Fig. 4)

Fig. 1

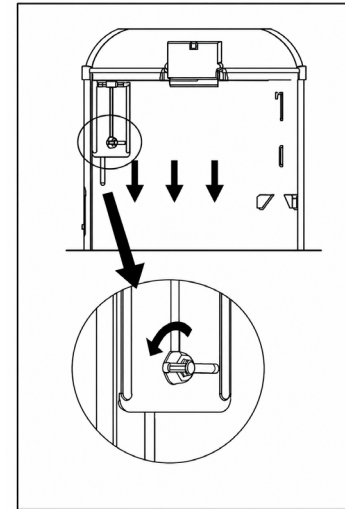


Fig. 2

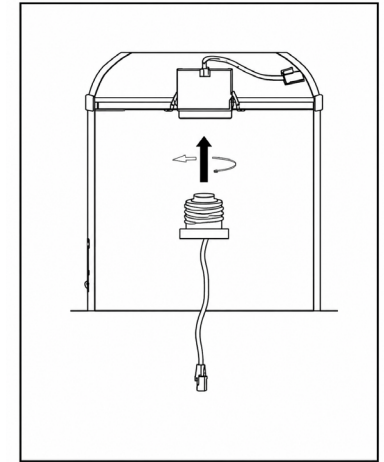


Fig. 3

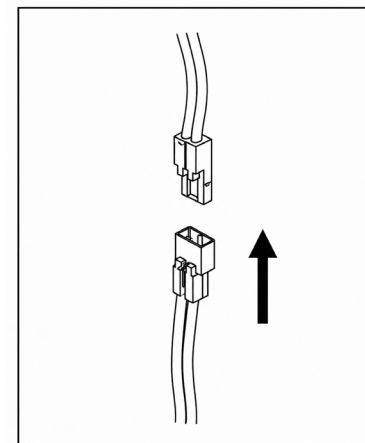
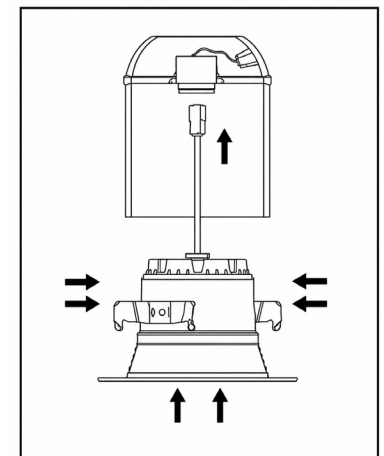


Fig. 4



## LED HOUSING INSTALLATION

### Step 1: Connect Retrofit Module

Connect the female connector from the retrofit module to the male connector inside the LED housing. (Fig. 4)

### Step 2: Insert Retrofit Module

Compress both friction blade arms and insert the retrofit module into the housing. Carefully tuck all wiring into the housing and push the module into place until fully seated. (Fig. 2 & Fig. 4)