

Project Name: _____ Type: _____ Quantity: _____

INTENDED USE

The 4-Inch LED Recessed Concrete Downlight Series is designed for seamless integration into poured concrete ceilings, supporting a range of interior lighting needs from warm, hospitality-driven environments to efficient commercial spaces. Suitable for general illumination, architectural accents, and residential areas, it offers a clean recessed solution with broad compatibility with the listed 4" LED module configurations. Other third-party inserts may require independent compatibility verification prior to specification. Designed for integration into 2-Hour fire rated concrete ceiling assemblies in compliance with IBC Section 714

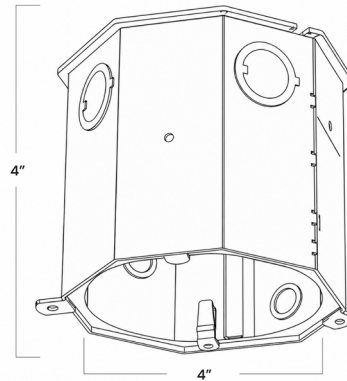
PRODUCT FAMILY

- [14106-4ND-D - Direct Downlight Round](#)
- [14106-4ND-HLO - High Lumen Output Round](#)
- [14106-4ND-ADJ-BA - Adjustable Baffle Reflector](#)
- [14106-4ND-ADJ - Adjustable Round](#)
- [14106-SQN4-D - Direct Downlight Square](#)
- [14106-SQN4-ADJ - Adjustable Square](#)



FEATURES

- Housing Dimensions:** 4" Height x 4" Outer Diameter
- Housing Construction:** IC Airtight metallic outlet box listed per UL514A; includes snap-off tabs and knockouts for conduit
- Mounting:** New Construction pour-in box; secured to a temporary wooden board during the concrete pour
- LED Dimensions:** 3 5/16" Height x 5" Trim Width
- LED Construction:** Die-Cast
- Beam Angle:** 60°, features 25° Tilt and 358° Rotation
- CRI:** 90+
- Lens:** Frosted Polycarbonate
- Lumens:** 650 lm
- Wattage:** 12W
- Color Temp:** 27/30/35/40/50K Selectable Switch
- Voltage:** 120V
- Driver:** TRIAC / ELV dims to: 10% minimum (see page 2)
- Life:** 50,000 Hours (L70)
- Power Factor:** > 0.9
- Warranty:** 5 years carefree for parts and components (labor not included) applies to LED modules
- Listings:** cUL Damp (Adjustable LED Modules), Energy Star, IC Rated for direct contact with insulation; UL514A Listed, Title 24 JA8-2019 Compliant



Alcon Lighting 14106 4-Inch LED Recessed Concrete Downlight Series



ORDERING INFORMATION Example:

Model	Size Shape	Optics	Reflector	Finish	Options
14106	4ND 4" Round	ADJ Adjustable	BA Baffle	WH BK BZ White Black Bronze	EM8 8W Emergency Battery

LED MODULES FINISH AND DIMENSIONS

14106-4ND-ADJ-BA



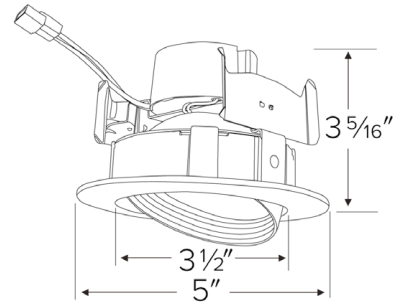
White



Bronze



Black



COMPATIBLE DIMMERS

Manufacturer	Product	Part Number	Dimmed Light Output Range	LED Modules Compatibility
Eaton	AL Series, Decorator Single-Pole/3-Way Preset Dimmer	DAL06P	10% - 100%	14106-4ND-ADJ-BA
	Decora IllumaTech Single Pole/3-Way Preset ON/OFF Dimmer	IPL06-1LZ		
Leviton	Decora SureSlide® Single Pole Slide-To-Off with Optional Locator Light	6631	5% - 90%	
	Decora SureSlide® Single Pole/3-Way with Present ON/OFF Switch	6674		
	Skylark Contour® 600W Single Pole Dimmer	CT-600P		
	Skylark Contour® C-L, Single Pole/3-Way Dimmer	CTCL-153P	5% - 100%	
Lutron	DIVA® Series 600W Single Pole Dimmer	DV-600P	10% - 100%	
	DIVA® Series 150W Single Pole/3-Way Dimmer	DVCL-153P	5% - 86%	
	Ariadni®/Toggle® Series 150W Single Pole/3-Way Dimmer	TGCL-153P		
	Maestro® Series 150W Single Pole/3-Way/ Multi-Location Dimmer	MACL-153M	5% - 80%	

COLOR TEMPERATURE GUIDE

