

WARNING:

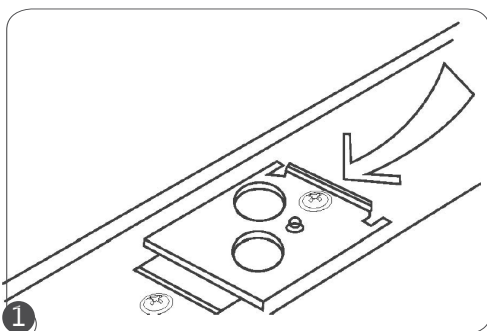


RISK OF FIRE AND ELECTRICAL SHOCK. FIXTURE MUST BE INSTALLED BY A QUALIFIED ELECTRICIAN ONLY IN ACCORDANCE WITH NATIONAL, LOCAL BUILDING AND ELECTRICAL CODES. DISCONNECT POWER AT ELECTRICAL PANEL BEFORE SERVICING.

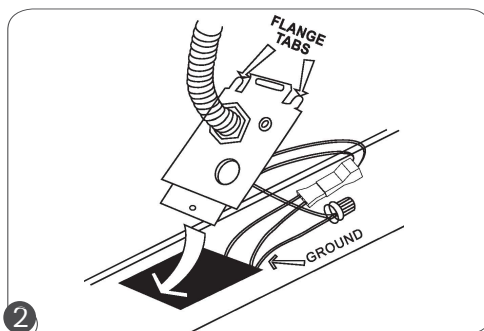
## 14079 INSTALLATION INSTRUCTIONS FOR: LOW-PROFILE LED TROFFER LIGHT AND LOW-PROFILE WET-LOCATION LED TROFFER LIGHT

Please read all instructions prior to installation and keep for future reference!

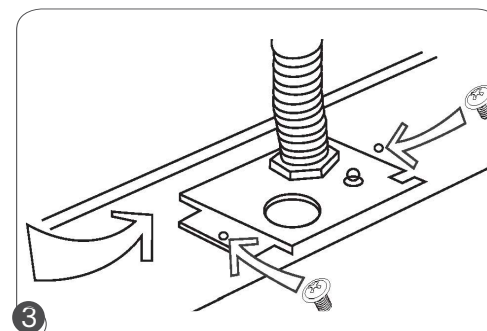
1. Check if the local voltage range corresponds with the working voltage of the fixture. Use min. 75°C supply.
2. Use only UL (or other NRTL) approved wire for input/output connections.
3. Make sure LEDs and drivers are cool to touch when performing maintenance.
4. Do not install in a hazardous atmosphere, except where the ambient temperature does not exceed the rated operating temperature of the fixture.
5. Keep tightly closed when in operation
6. The grounding and bonding of the overall system shall be done in accordance with NEC Article 600 and local codes.



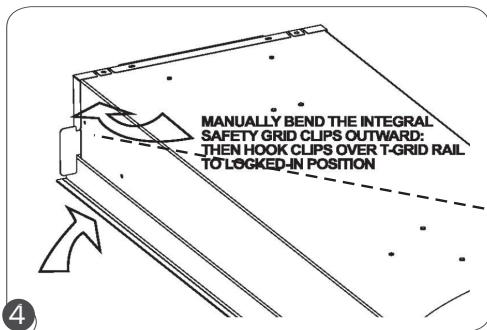
Look for the access plate on the back to access the wires.



Punch a knockout and make proper wiring connections including a ground wire.



Close the access plate and make sure to fix the screws back proper access plate closure.



Bend the safety grid clips 90° with hand, then secure the clips over T-grid rail to lock-in position. Check to make sure the fixture is firmly fixed on the T-bar grid.









## **14079 INSTALLATION INSTRUCTIONS FOR: LOW-PROFILE LED TROFFER LIGHT AND LOW-PROFILE WET-LOCATION LED TROFFER LIGHT**

---

### TOOL(S) NEEDED:

Cordless drill and an elbow or L-shape adapter with Philips Insert Bit extension.

