

Project Name: _____ Type: _____ Quantity: _____

INTENDED USE & FEATURES

Designed for H-Type One and Two-Circuit Track Lighting Channels, this recessed track housing enables a flush installation into any ceiling style. Its extruded aluminum housing integrates seamlessly into drywall or suspended ceilings, providing a clean, modern look. Installation requirements vary by ceiling type, and additional framing may be needed for hard ceilings. Mounting hardware is included, along with spacers for 4' and 8' housings to accommodate single or two-circuit track thickness.



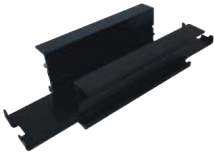
Dead End



End Feed



Linear Connector



L Connector



X Connector



T Connector



ORDERING INFORMATION Example:

Model	Length	Finish
13000-RH Recessed Housing	4F 4 Foot	WH White
	8F 8 Foot	BK Black

Model	Connectors	Finish
13000-RH Accessories	EF End Feed	WH White BK Black
	DE Dead End	
	LC Linear	
	L L-Shape	
	T T-Shape	
	X X-Shape	

Alcon Lighting 13000-RH Recessed Housing for H-Type Track Lighting Channel

COMPATIBLE ITEMS

Model	Circuit	Length	Finish
13000-TC Track Channel	1C1N 1-Circuit, 1-Neutral	2F 2 Foot	WH White
	2C1N 2-Circuit, 1-Neutral	4F 4 Foot	BK Black
		6F 6 Foot	
		8F 8 Foot	
		12F 12 Foot	

Model	Connectors	Circuit	Finish
13000 Accessories	LE Live-End	1C1N 1-Circuit, 1-Neutral	WH White
	MI Mini	2C1N 2-Circuit, 1-Neutral	BK Black
	STG Straight		
	L L-Shape		
	T T-Shape		
	X X-Shape		

Straight Connector



Joins two track channels in a straight line. May be used as an electric feed point.

Mini Connector



Joins two track channels end to end.

X-Connector



Joins four track channels in a perpendicular fashion. May be used as an electric feed point.

T-Connector



Joins three track channels. May be used as an electric feed point.

Live End



Power feed to track at end of channel. Comes with standard 1/2" knock out.

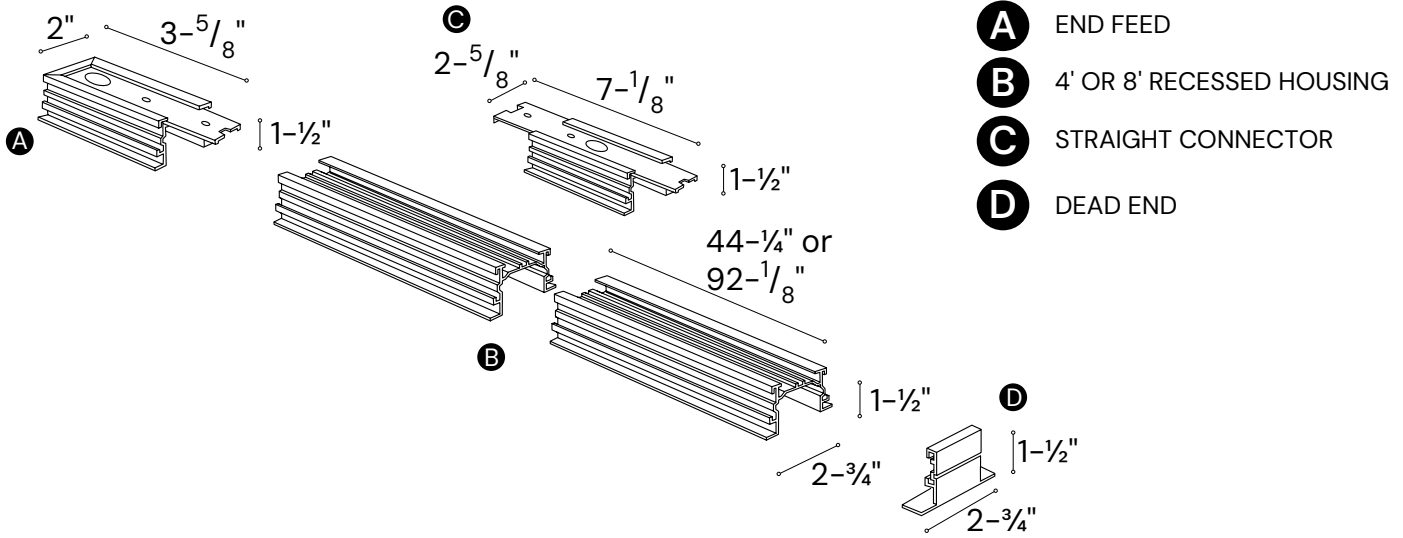
L-Connector



Joins two track channels in a perpendicular fashion. May be used as an electric feed point.

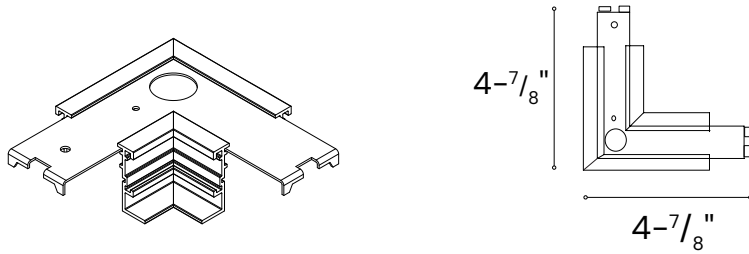
LINE DRAWINGS

(Housing)

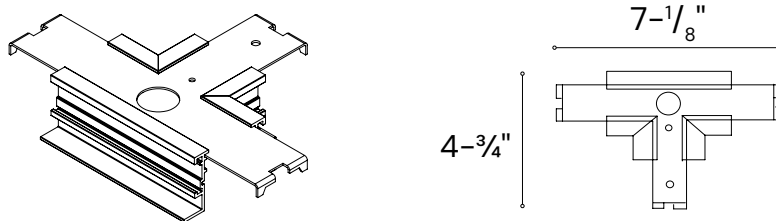


(Recessed Accessories)

L Connector



T Connector



X Connector

