

12501-R4 - 12100-R4 INSTALLATION INSTRUCTIONS



BEFORE YOU BEGIN

Read and follow all safety instructions

WARNING:



RISK OF FIRE AND ELECTRICAL SHOCK. FIXTURE MUST BE INSTALLED BY A QUALIFIED ELECTRICIAN ONLY IN ACCORDANCE WITH NATIONAL, LOCAL BUILDING AND ELECTRICAL CODES. DISCONNECT POWER AT ELECTRICAL PANEL BEFORE SERVICING.



WARNING

RISK OF FIRE, EXPLOSION AND ELECTRIC SHOCK

- This product should be installed, inspected, and maintained by a qualified electrician only, in accordance with the NEC (National Electric Code) and all local codes.
- Turn off electrical power before inspection, installation or removal.
- Use only UL (or other NRTL) approved wire for input/output connections.
- Make sure LEDs and drivers are cool to touch when performing maintenance.
Make sure the supply voltage is the same as the rated voltage of the luminaire.
- Do not install in a hazardous atmosphere, except where the ambient temperature does not exceed the rated operating temperature of the fixture.
- Keep tightly closed when in operation



Prepare Electrical Wiring



Electrical Requirements

Must check if the local voltage range is correspond with the working voltage of the fixture. Use min. 75°C supply.



Grounding Instructions

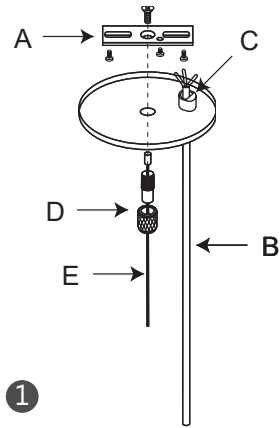
The grounding and bonding of the overall system shall be done in accordance with NEC Article 600 and local codes.



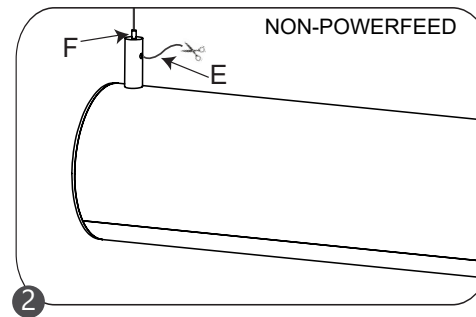
Follow all applicable safety procedures and use Personal Protective Equipment such as hardhats, safety glasses, reflective vest, electrical safety gloves, fall protection equipment and safety toe boots during the installation, operation, and maintenance of the luminaire.

12501-R4 - 12100-R4 PENDANT-MOUNT CANOPY INSTALLATION INSTRUCTIONS

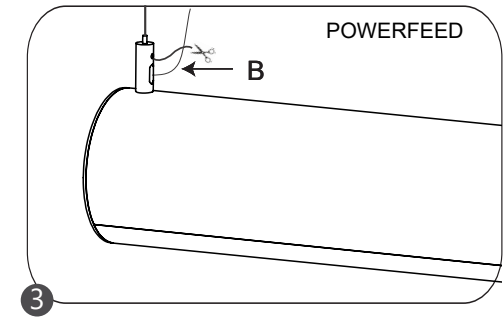
Aircraft Cable Installation



Install canopy bracket (A) onto j-box and run power cord (B) through power feed canopy (C). Secure the power cord inside the canopy. Connect power cord to the ceiling power feed from j-box, place canopy in position on threaded stud and secure with cable mounting nut (D).

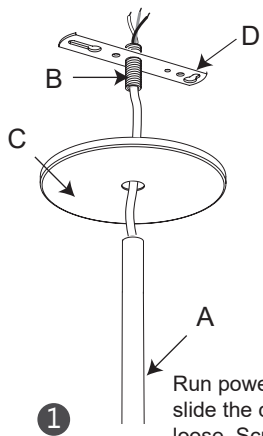


Insert aircraft cable through the non-power gripper (E) and exit out to the side. Trim the length if necessary. Adjust the cable length by pressing and releasing the nod (F) of the gripper.

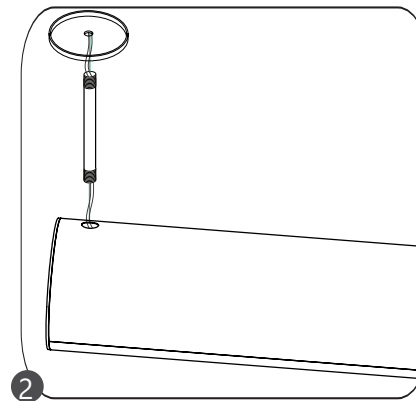


Power cord (B) will come pre-installed, exit out to the side of the fixture.

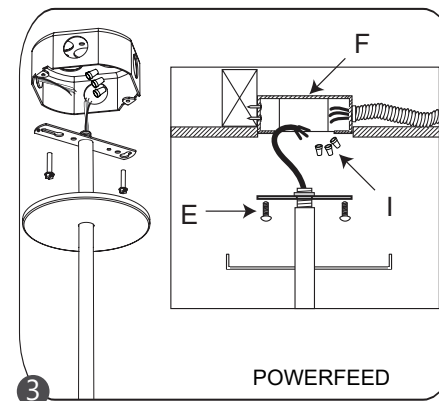
Stem Installation



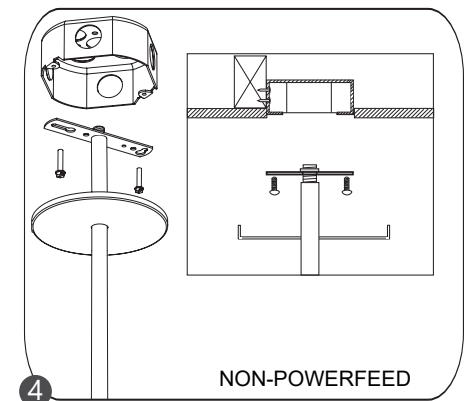
Run power cord through stem (A) and slide the canopy (C) through and leave loose. Screw the j-box bracket (D) with threaded stud (B) onto the stem to secure the stem.



Fix the stem onto the fixture's end cap.



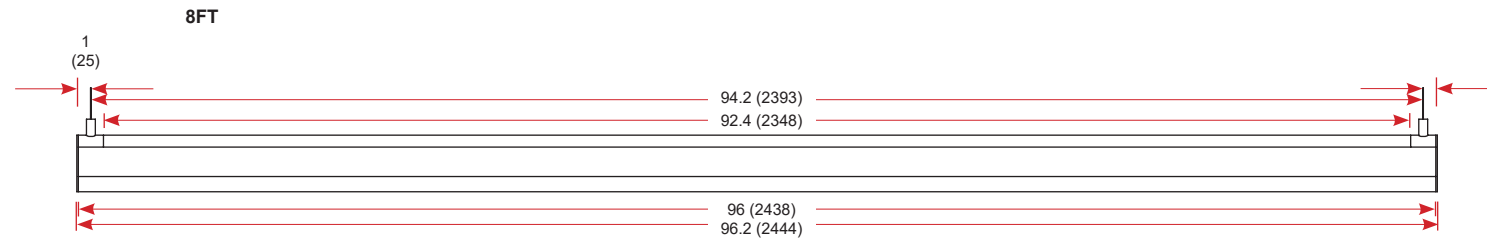
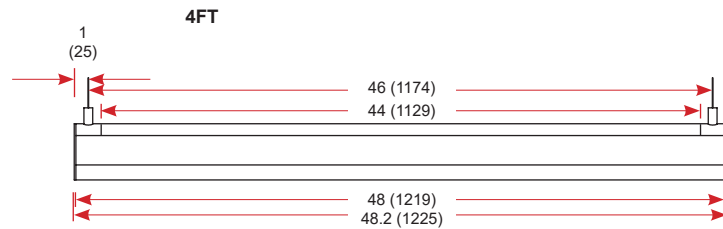
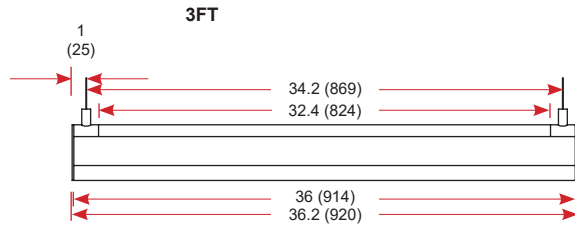
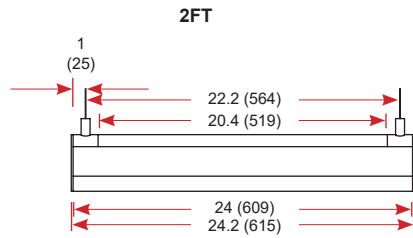
Align power side of the fixture to j-box (F) and secure with screws (E) to j-box bracket. Make electrical connection with wire nuts (I). Slide the canopy (C) and secure in place.



Align non-power side, secure with screws (E) to j-box bracket. Slide the canopy (C) and secure in place.

12501-R4 - 12100-R4 PENDANT-MOUNT INSTALLATION INSTRUCTIONS

Individual Installation



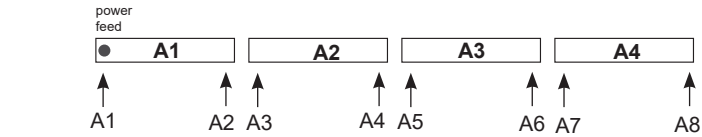
All dimensions are in inches (millimeters).

12501-R4 - 12100-R4 CONTINUOUS RUN INSTALLATION INSTRUCTIONS

Required Tools



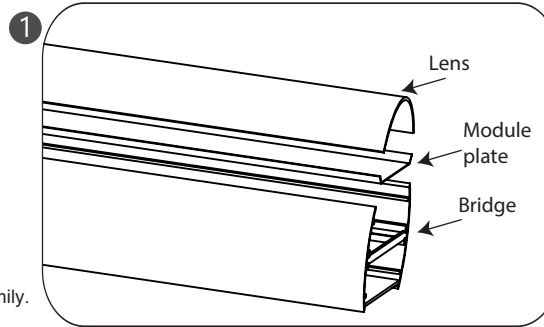
Cordless drill and an elbow or L-shape adapter with philips insert bit & hexagon nut bit.



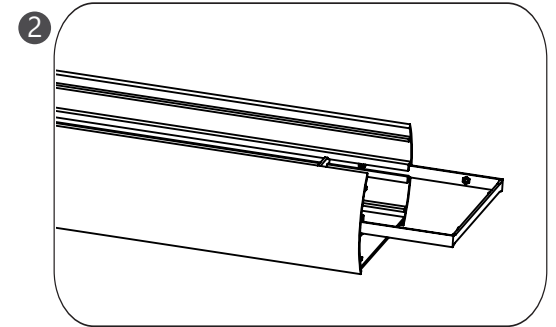
* Powerfeed location may vary per order.

Continuous Row

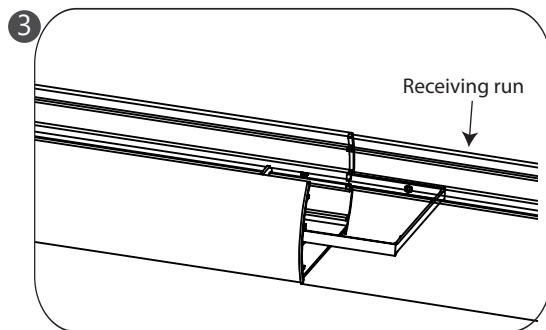
Align continuous row fixtures in numerical order under the same alphabet family.



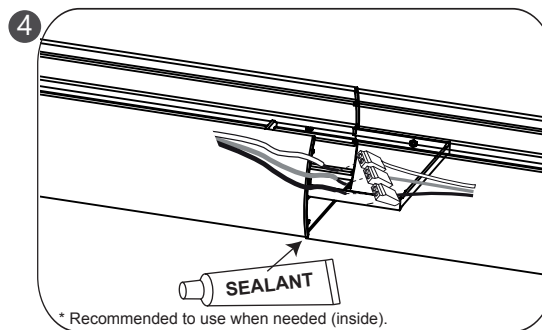
Remove lens and module plate carefully.



Loose the lock-nuts and extend out the bridge half way.

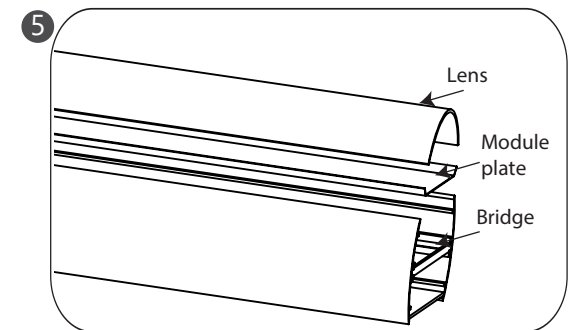


Make sure to completely remove the bridge on the receiving run, then insert half of the bridge from the previous run. Pull two adjacent fixtures as tight as possible and fix the lock-nuts tight.



* Recommended to use when needed (inside).

Make appropriate wiring connections.



Close the fixture by reinstalling module plate and lens.