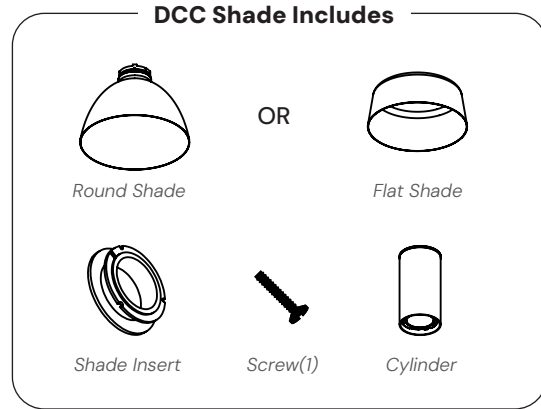
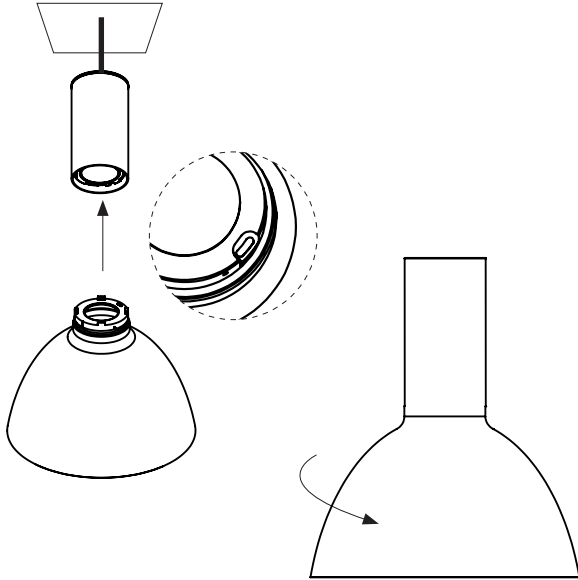
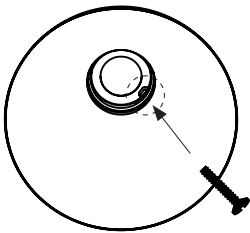


## 12302 DOME INSTALLATION INSTRUCTIONS

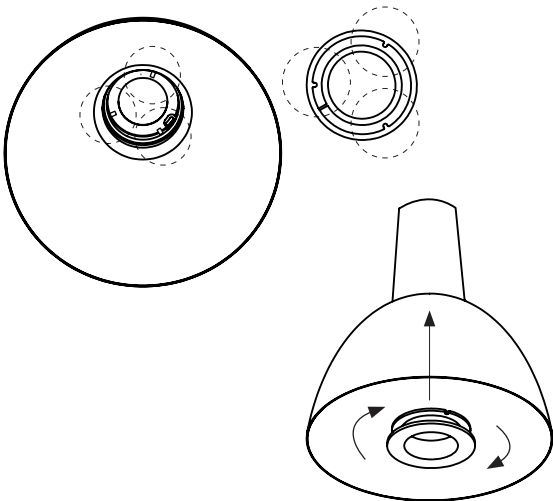
- Align Shade onto Module. Turn clockwise until secure.
  - Note: Shade screw hole must align with empty Module screw hole



- Secure Shade to Cylinder with Screw (included).



- Align Shade Insert inside of Shade. Turn a quarter of the circumference to secure.



**Installation complete!**

