

Project Name: _____ Type: _____ Quantity: _____

INTENDED USE

Our series surface-mounted LED fixtures offer versatile lighting for residential, retail, and hospitality spaces. Available in three sizes, two finishes, and six modules—Direct Round, Adjustable, Direct Square, Snoot Adjustable, Spot, and Pendant—they deliver modern design, high performance, and flexibility. Ideal for new constructions or renovations.

FEATURES

Construction: 18-gauge powder-coated steel body

Installation type: Mounts over octagon box (not included)

CRI: 90+

Voltage: 120V-277V

Dimming Driver: TRIAC/ELV/O-10V (Dim to 1%)

Life: 50,000 Hours

Power Factor: ERP 10W or 15W, Constant Current 250mA or 350mA power supply

Operating Temperature: -22°F (-30°C) to 122°F (50°C)

Listing: IESNA LM-79 and LM-80 tested. ETL and cETL Listed. RoHS compliant. Made in the USA

Warranty: 5 years carefree for parts & components (Labor not included)



1 Head



2 Head



3 Head



ORDERING INFORMATION Example:

Model	Multiples	Optics	Finish	Color Temperature	Wattage Lumens ²	Beam Spread	Lens
12300	1H	1 Head	BK Black WH White	27K	2700K	B15	15° Narrow
	2H	2 Head		30K	3000K	B24	24° Medium
	3H	3 Head	35K	3500K	B38	38° Flood	
			40K	4000K	B50	50° Wide Flood	
			SP ¹	DTW	Dim To Warm	CL	Clear
			P ¹			FL	Frosted
						HLV	Hexcell Louver

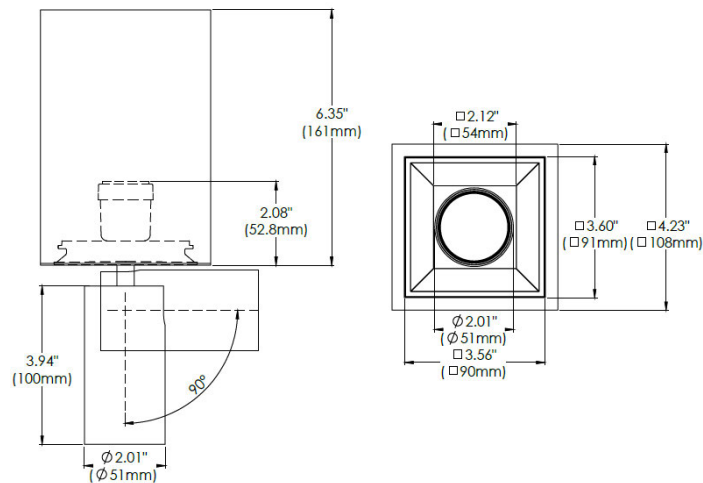
¹ Direct Square light, Spot light and Pendant light available only in 15W.
Available only in 30K/40K color temperature. No beam spread. No diffuser
² 10W IC: 810 LM, 10H IC: 1090 LM, 15W Non-IC: 1430 LM, Dim to Warm: 15W, 785 LM
³ Wet location is available only with Direct Round

OPTICS

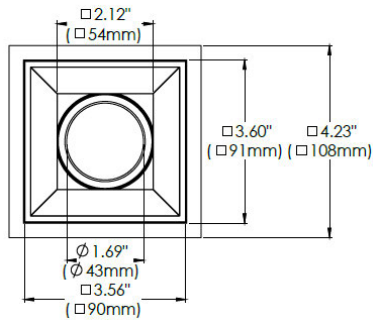
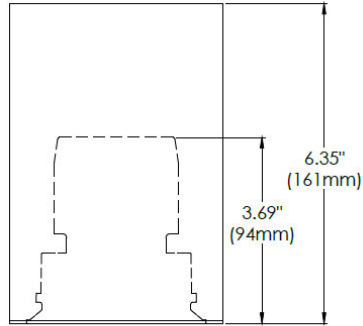


LINE DRAWINGS 1-HEAD

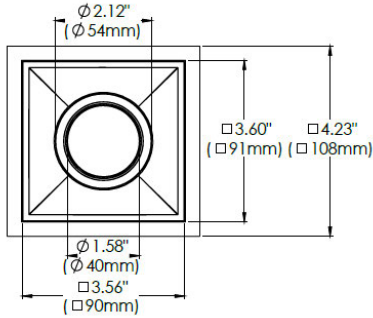
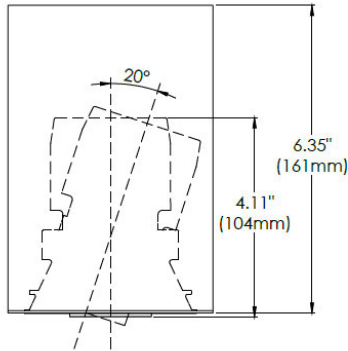
Spot



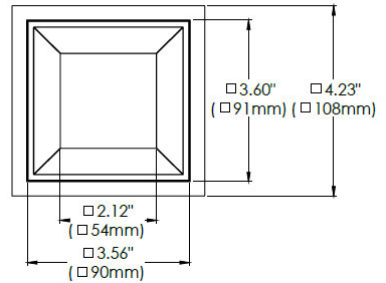
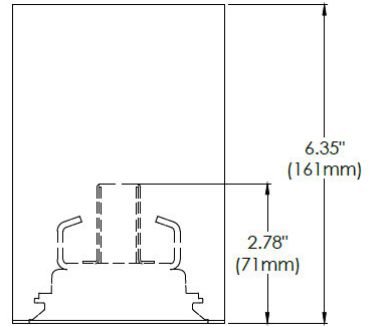
Direct Round



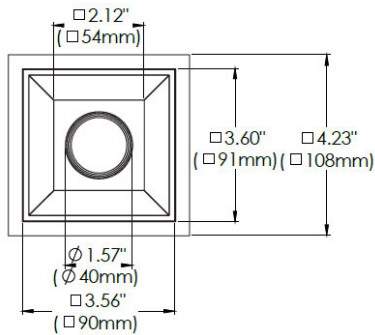
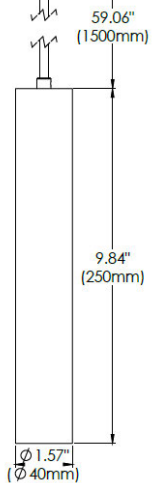
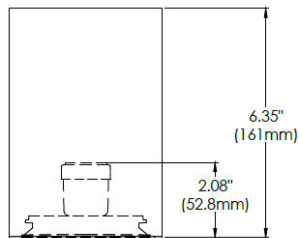
Snoot Adjustable



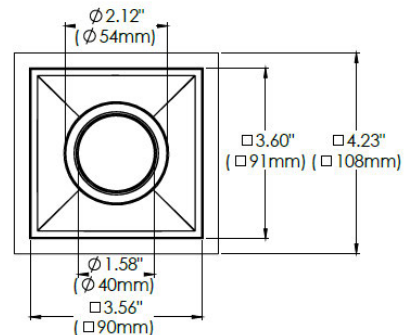
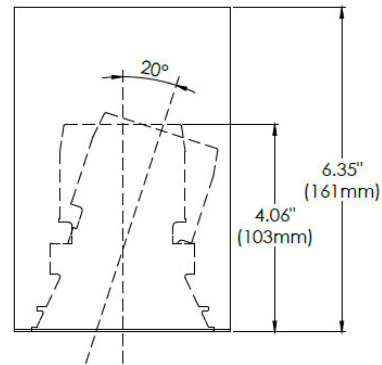
Direct Square



Pendant

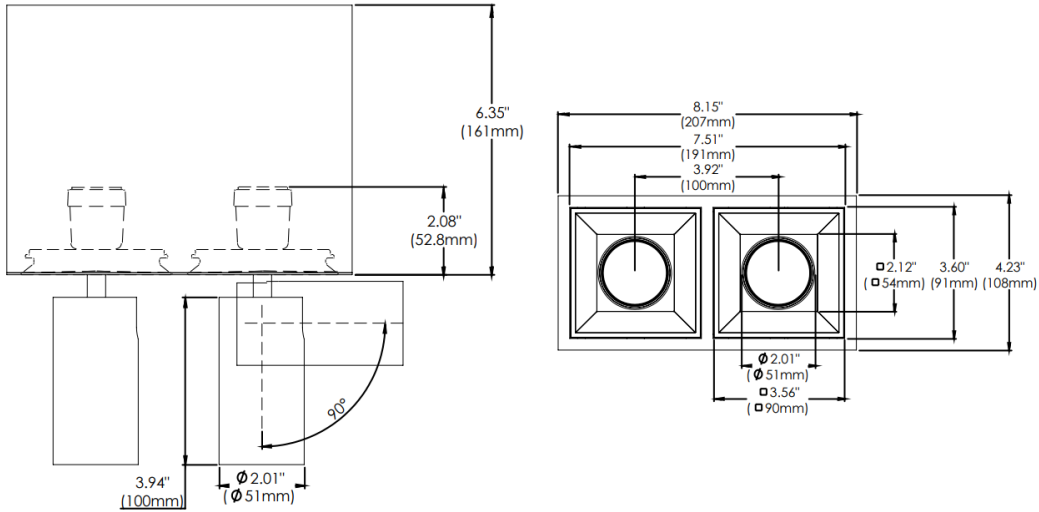


Adjustable

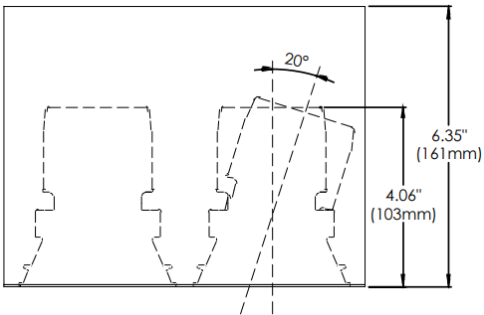


LINE DRAWINGS 2-HEAD

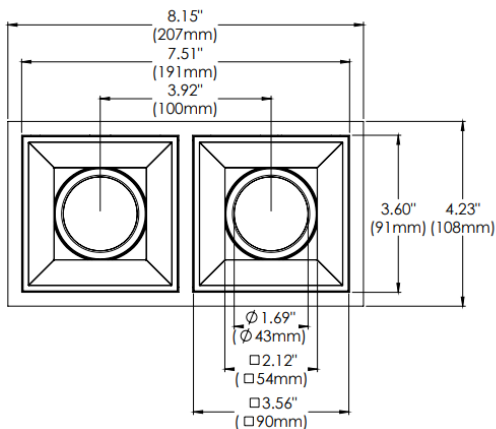
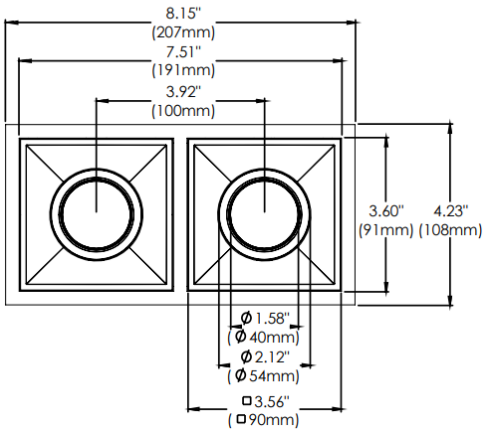
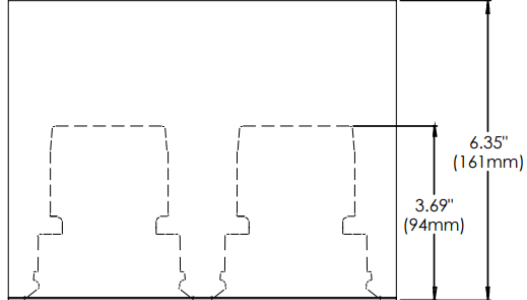
Spot



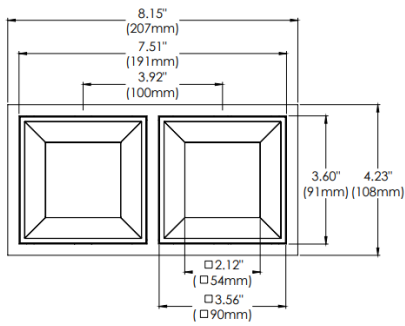
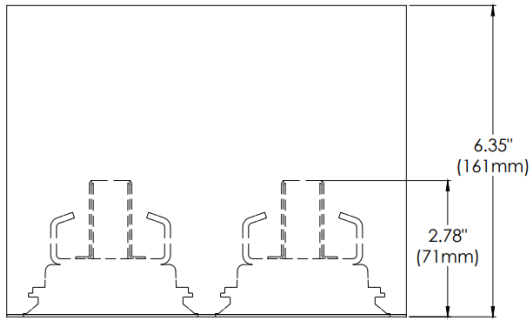
Adjustable



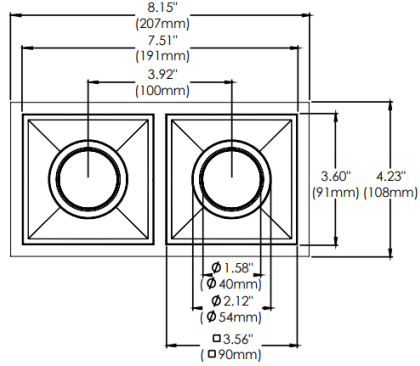
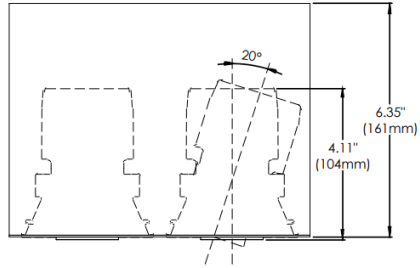
Direct Round



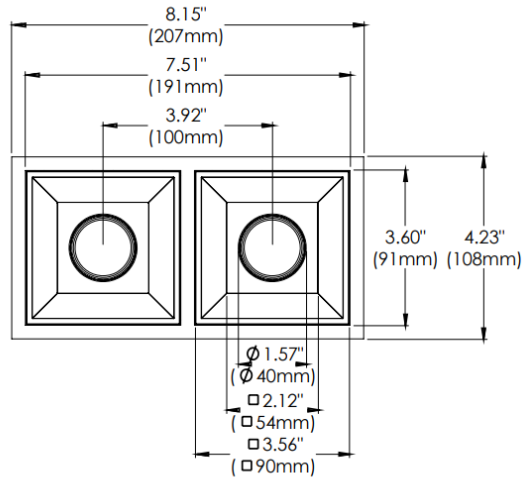
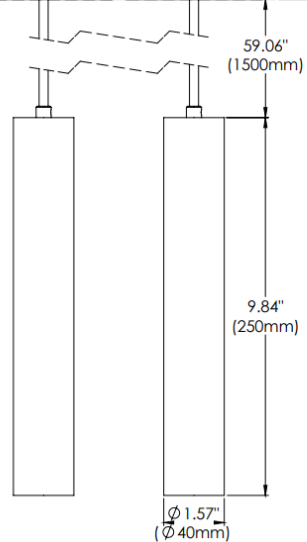
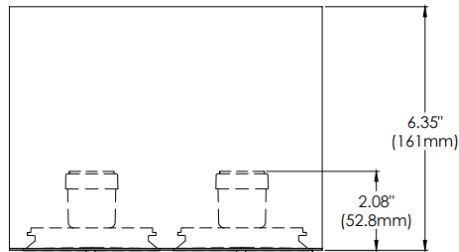
Direct Square



Snoot Adjustable

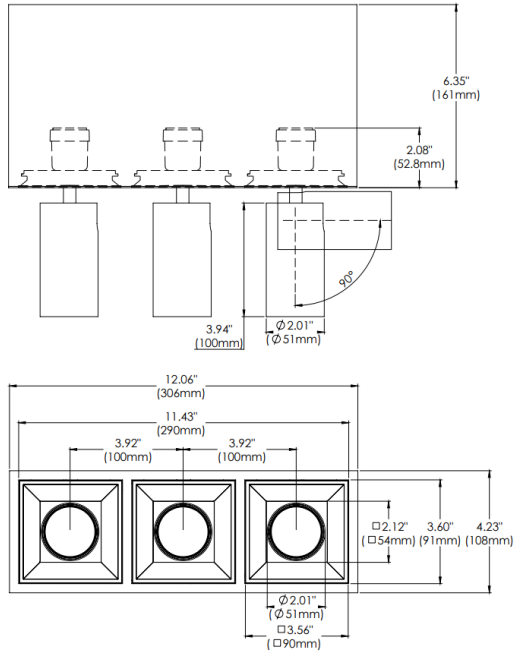


Pendant

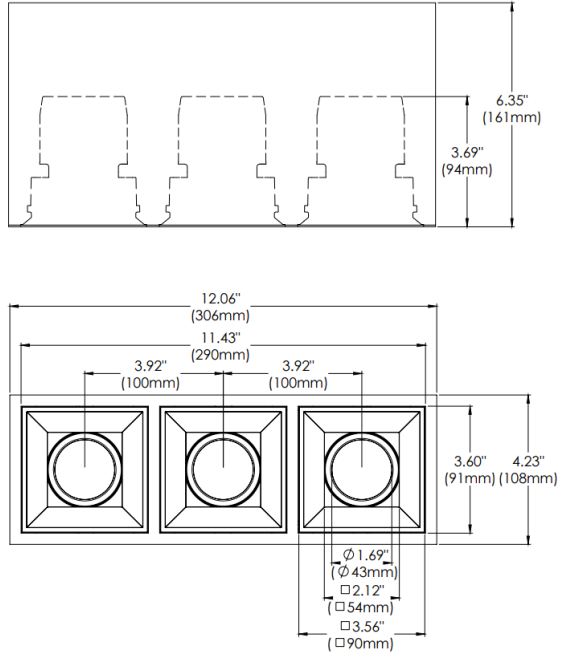


LINE DRAWINGS 3-HEAD

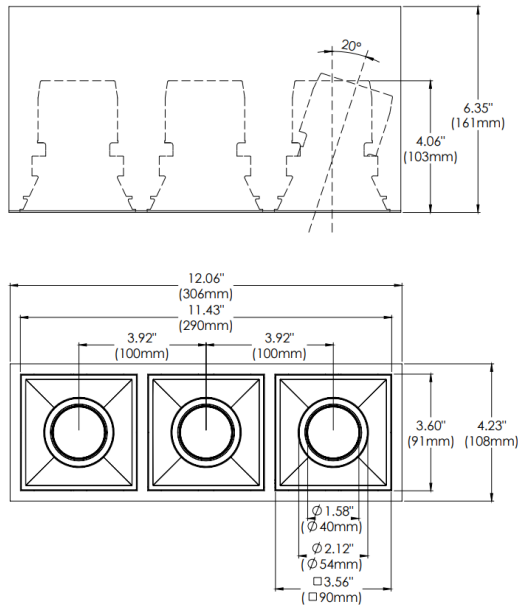
Spot



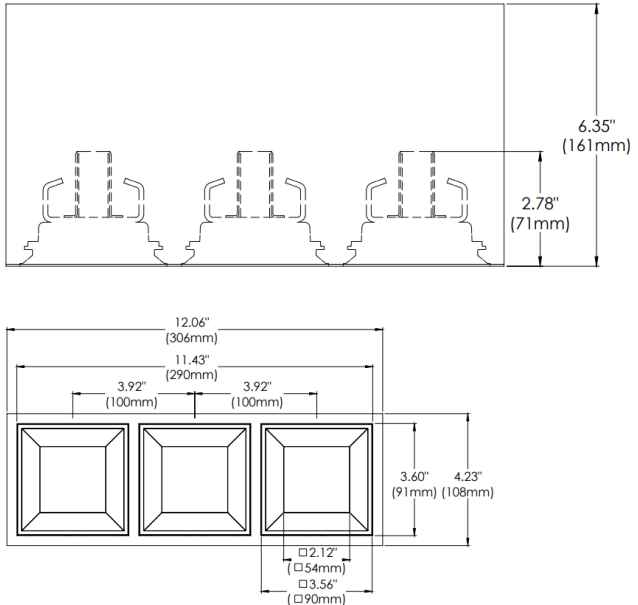
Direct Round



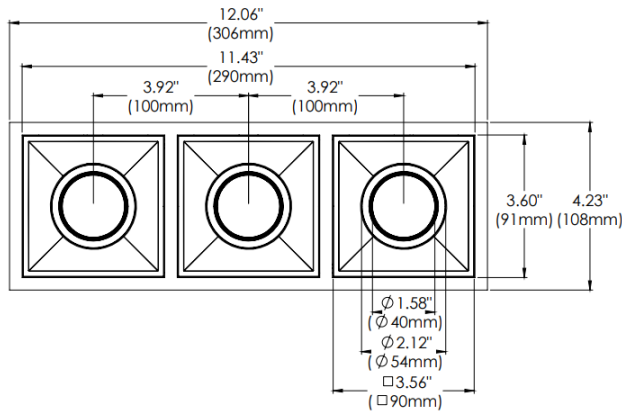
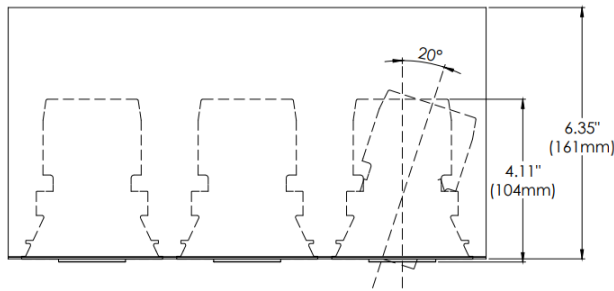
Adjustable



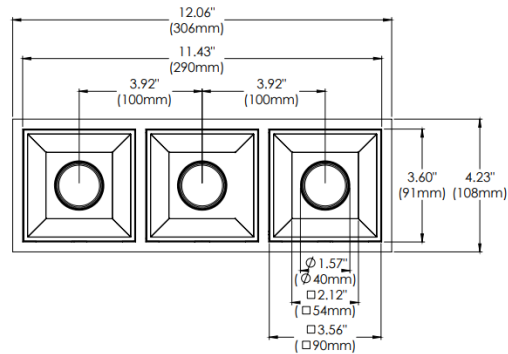
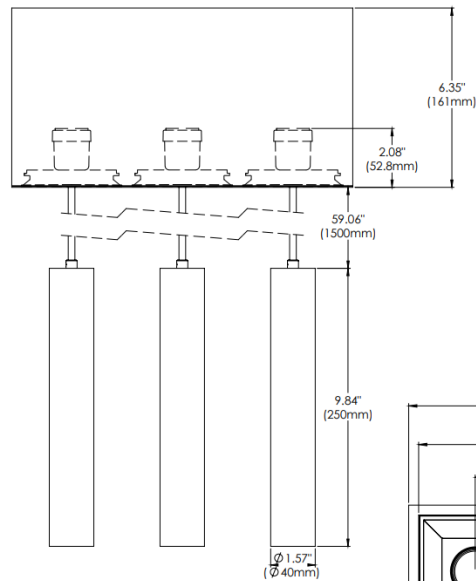
Direct Square



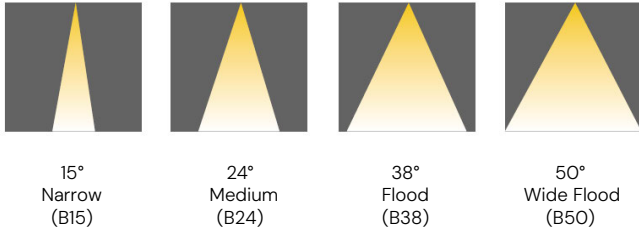
Snoot Adjustable



Pendant



BEAM SPREAD



LENS



COMPATIBLE DIMMERS



Triac
ELV
0-10V

ESS030W-0700-42
ESST040W-0900-42

ESS030W-0700-42

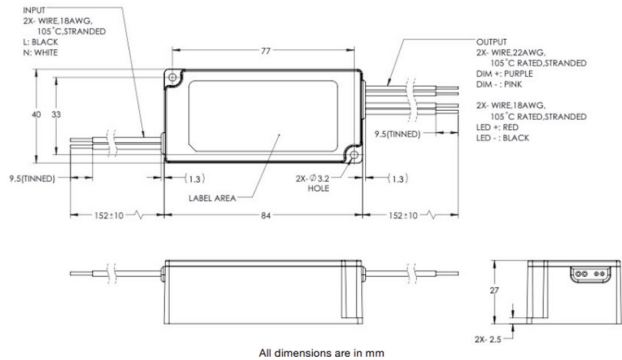
ESS Series – up to 30W
Output Current: 700 mA
Output Voltage Range: 24 to 42 V
Max Output Power: 29.4 W
Input Voltage: 120 to 277 VAC
Dimming: Tri-Mode Dimming™ (TRIAC, ELV & 0-10 V)
Case Type: Plastic (IP64 rated)
Dimensions: 84 x 40 x 25.2 mm
Typical Efficiency: ~87%
Lifetime: Up to 109,000 hours (depending on model and conditions)

ESST040W-0900-42

ESST Series – 40W class
Output Current: 900 mA
Output Voltage Range: 24 to 42 V
Max Output Power: 37.8 W
Input Voltage: 120 to 277 VAC
Dimming: Tri-Mode Dimming™ (TRIAC, ELV & 0-10 V)
Case Type: Thermally Enhanced Plastic (IP66 rated)
Dimensions: 84 x 40 x 27 mm
Typical Efficiency: ~87%
Lifetime: Up to 96,500 hours at 70°C case temperature



Dimensions: L 84 x W 40 x H 27 mm (L 3.30 x W 1.57 x H 1.06 in)
Volume: 90.7 cm³ (5.53 in³)
Weight:



COLOR TEMPERATURE GUIDE

2700K	3000K	3500K	4000K	5000K
WARM WHITE	SOFT WHITE GLOW	NEUTRAL GLOW	DAYLIGHT GLOW	CRYSTAL WHITE GLOW
friendly personal intimate	soft warm pleasing	sociable inviting non-threatening	neat clean efficient	bright cool alert
HOMES LIBRARIES RESTAURANTS	HOMES HOTEL ROOMS LOBBIES RETAIL STORES	EXECUTIVE OFFICES RECEPTION AREAS SUPERMARKETS	OFFICES CLASSROOMS MASS MERCHANDISERS SHOWROOMS	GRAPHICS INDUSTRY HOSPITALS GALLERIES BEAUTY SALONS
✓	✓	✓	✓	X