

Project Name: _____ Type: _____ Quantity: _____

INTENDED USE

The Alcon Lighting 12249 is a direct/indirect, architectural-grade, vegan leather-wrapped LED pendant, currently available in Grey with accentuated chrome accents. CA Title-24 approved, this LED pendant is ideal for applications such as offices, dining rooms, kitchens, hotels, retail spaces, and more.

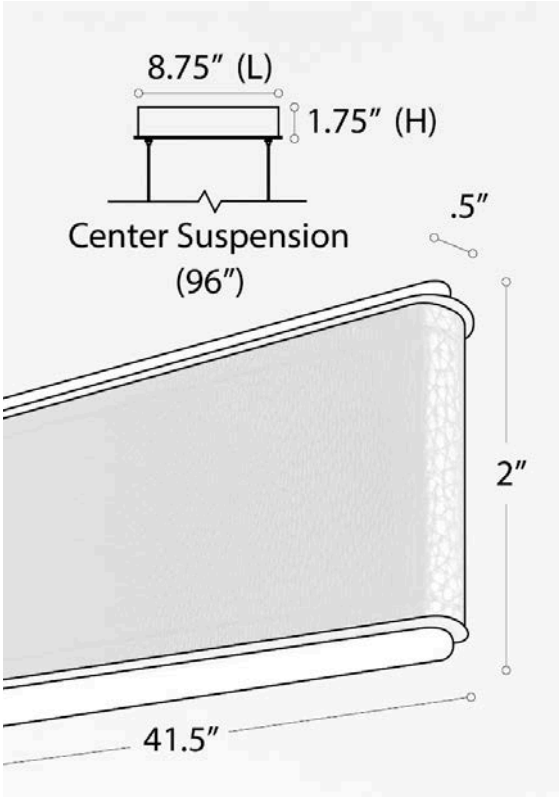
FEATURES

- Construction:** Steel
- Lens:** Frosted
- Finish:** Gray
- Wattage:** 35W
- Lumens:** 880 lm
- Color Temperature:** 3500K
- CRI:** 90+
- Voltage:** 24V
- Driver:** ELV/TRIAC dimming
- Life:** 50,000 Hours
- Listings:** ETL Listed, CA Title-24



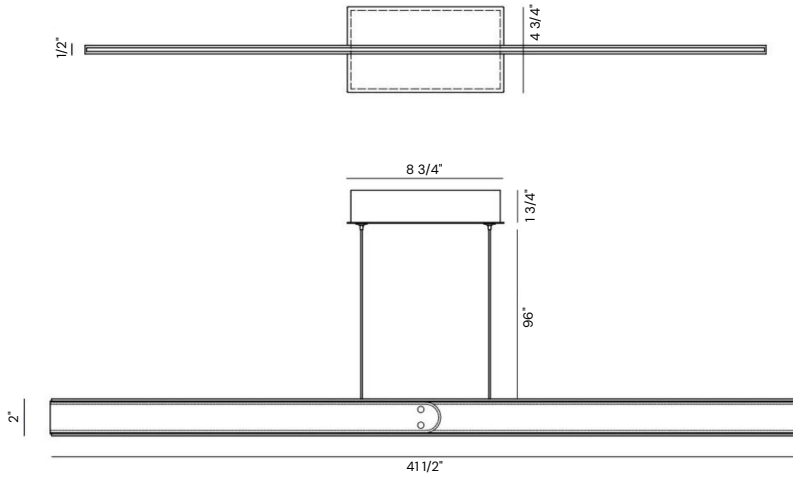
ORDERING INFORMATION Example:

Model
12249



Alcon Lighting 12249 Architectural Vegan Leather Wrapped 42 Inch Linear Direct / Indirect LED Pendant

LINE DRAWINGS



COLOR TEMPERATURE GUIDE

				
2700K	3000K	3500K	4000K	5000K
WARM WHITE	SOFT WHITE GLOW	NEUTRAL GLOW	COOL WHITE GLOW	DAYLIGHT GLOW
friendly personal intimate	soft warm pleasing	sociable inviting non-threatening	neat clean efficient	bright cool alert
HOMES LIBRARIES RESTAURANTS	HOMES HOTEL ROOMS LOBBIES RETAIL STORES	EXECUTIVE OFFICES RECEPTION AREAS SUPERMARKETS	OFFICES CLASSROOMS MASS MERCHANDISERS SHOWROOMS	GRAPHICS INDUSTRY HOSPITALS GALLERIES BEAUTY SALONS
X	X	✓	X	X