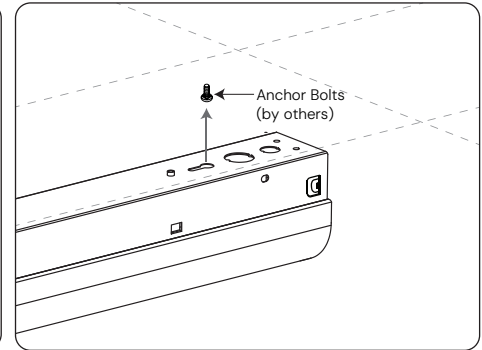
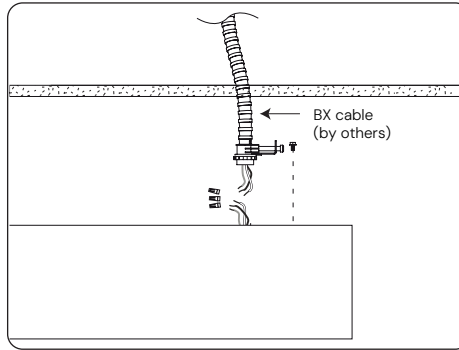


INSTALLATION INSTRUCTIONS

Hard Ceiling

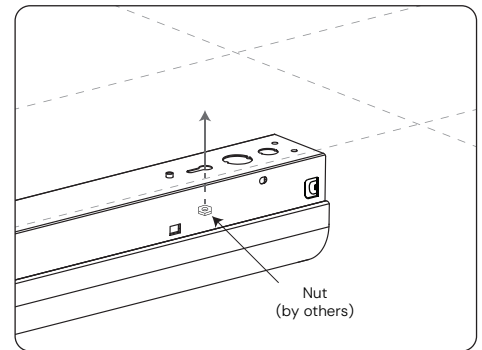
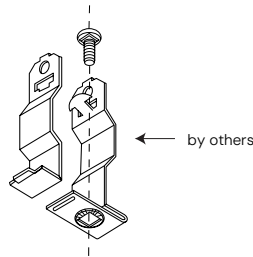
1. Remove LED module plate.
2. Locate the mounting holes and junction box (by others) for the fixture on the ceiling.
3. Connect the BX cables (by others) wires to the wires from the fixture push connected wires into the fixture.
4. Install fixture on to the ceiling and secure with Threaded stud/Hard ceiling anchor bolts (by others).
5. Reinstall LED Module Plate, Lens, and End caps.



T-Bar

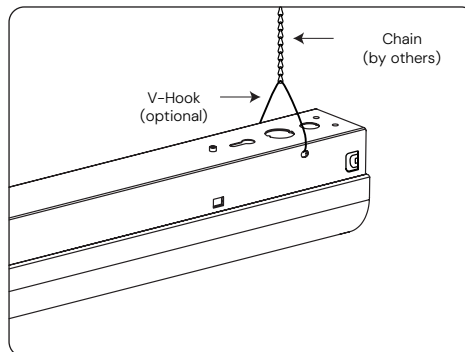
1. Remove LED module plate.
2. Locate the mounting holes for the fixture on the ceiling.
3. Make sure to install Independent support clip / Twist Clip (by others) with Stud.
4. Install fixture on to the ceiling and secure with nut (by others) on the Support clip/Twist clip stud.
5. Reinstall LED module plate, Lens, and End caps.

T-Bar Caddy Clip w/
1/4"-20 stud ; Drop Ceiling T-bar Mount



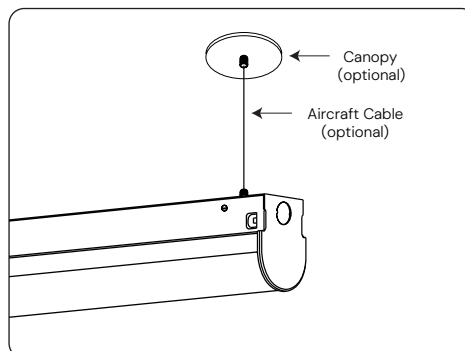
V-Hook

1. Make sure to install independent support chain (by others) on the ceiling.
2. Install V-Hook (optional) on fixture through the holes on the side.



Aircraft Cable

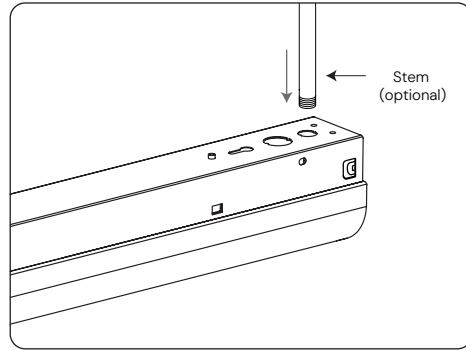
1. Make sure to install Adjustable Aircraft Cable (optional) with Canopy (optional) on the ceiling.
2. Hook up the fixture with the cable.



INSTALLATION INSTRUCTIONS

Stem

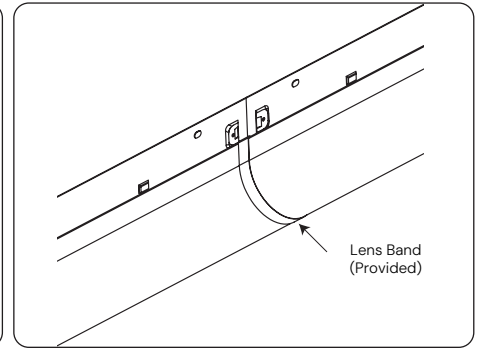
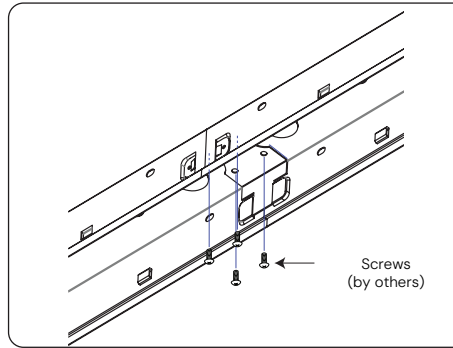
1. Remove LED Module plate.
2. Locate the mounting holes for the fixture on the ceiling.
3. Make sure to install provided Stem (optional) with Canopy (optional) on the ceiling.
4. Install fixture on to the ceiling and secure with nut on the stem.



Continuous Row

Coupling (Joiner)

1. Make sure to install independent support hardware (stem/cable) on ceiling surface. (see next page)
2. Remove LED Module plate.
3. Lift fixture and attach to support hardware on the ceiling.
4. Lift and attach the other fixture in row.
5. Insert the coupler plate into each seam at the end of the fixture, and in the same way connect the other fixture in row. (make sure not to shake the fixture, unless the led module plate may fell down)
6. Tighten coupler plate with 4 screws (by others).
7. Insert the lens, and lens band (provided).
8. Insert the other lens, and End caps.



INSTALLATION INSTRUCTIONS

Continuous Row

