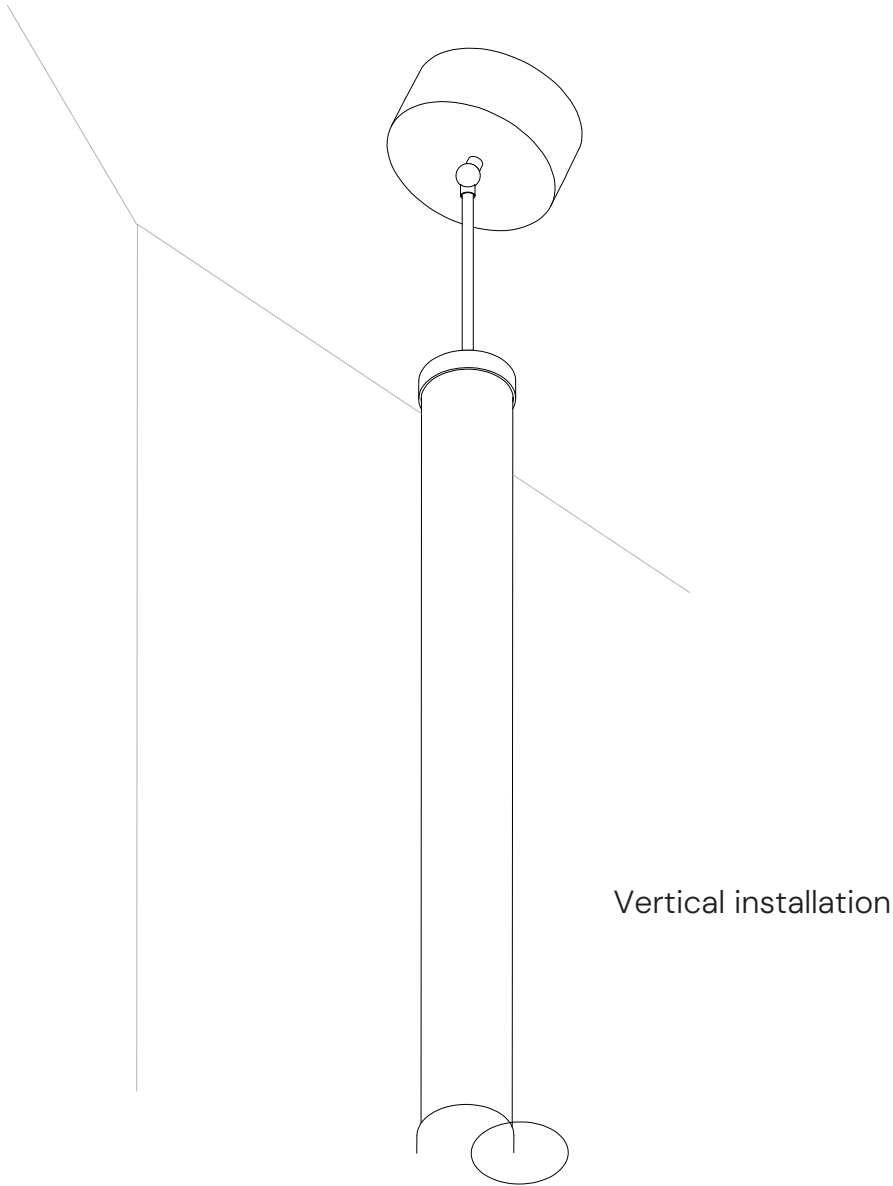


**12143 INSTALLATION INSTRUCTIONS**



**Instruction Page Index:**

Vertical installation	2-3
Wiring Diagram	4

## 12143 INSTALLATION INSTRUCTIONS

1. Product to be installed by a qualified electrician.
2. Prior to installation ensure power is off at fuse box to prevent electrical shock.

1

**Note: More than one person is recommended for this install.**

**1.1** Carefully place canopy on a flat surface and remove the 3 screws from the canopy. Take the backplate off completely.

**1.2** Remove the crossbar assembly from the backplate.

2

**2.1** Feed the fixture wires through the rigid stem, then tighten to secure into the endcap.

3

**3.1** Align the canopy female knuckle to the stem male knuckle and feed the fixture wires through into the canopy. Followed by securing together, reference diagram above to secure.

4

**4.1** Insert the power wires into the crossbar assembly, backplate, lock washer and hex nut.

**4.1** Align the crossbar assembly to the junction box holes and secure using the provided two #8-32 screw.

**4.2** Slide the backplate up to the crossbar and secure by tightening the lock washer & hex nut into the crossbar nipple.

**12143 INSTALLATION INSTRUCTIONS**

1. Product to be installed by a qualified electrician.
2. Prior to installation ensure power is off at fuse box to prevent electrical shock.

**5**

junction box

backplate

canopy

fixture

**5.1**

**5.1** Refer to the wiring diagram on page 4 and make all necessary connections from the power wires to the canopy driver wires.

**5.2** Connect to ground in accordance with local electrical codes.

**6**

screw

canopy

fixture

**6.1**

**6.1** Insert the wire nut connections into the canopy. Align the canopy to the backplate and securing using the 3 screws.

**7**

junction box

knuckle screw

knuckle screw

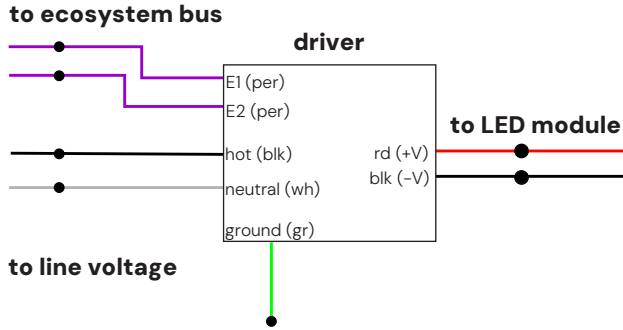
**7.1** If installed to a slanted ceiling, slightly loosen knuckle screw. Then rotate fixture stem, until fixture straight. Then re-tighten the screw secure.

1. Product to be installed by a qualified electrician.
2. Prior to installation ensure power is off at fuse box to prevent electrical shock.

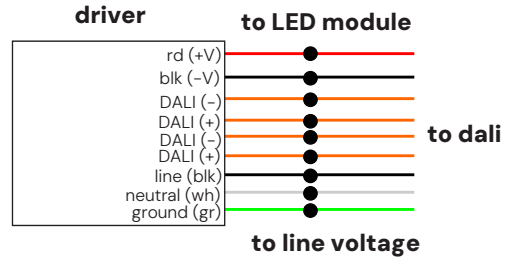
## 12143 INSTALLATION INSTRUCTIONS

### Wiring Diagrams

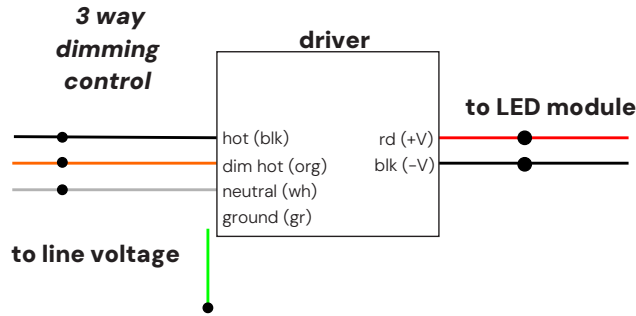
Lutron Ecosystem H-series wire power supply wiring to



eldoLED Dali power supply wiring



Lutron Ecosystem 3 wire power supply wiring



eldoLED 0-10V Dimming power supply wiring

