

CAUTION: THIS PRODUCT MUST BE INSTALLED IN ACCORDANCE WITH THE APPLICABLE INSTALLATION CODE BY A PERSON FAMILIAR WITH THE CONSTRUCTION AND OPERATION OF THE PRODUCT AND THE HAZARDS INVOLVED. SAVE THESE INSTRUCTIONS!



WARNING: Before beginning installation, disconnect electrical power at main switch or circuit breaker.

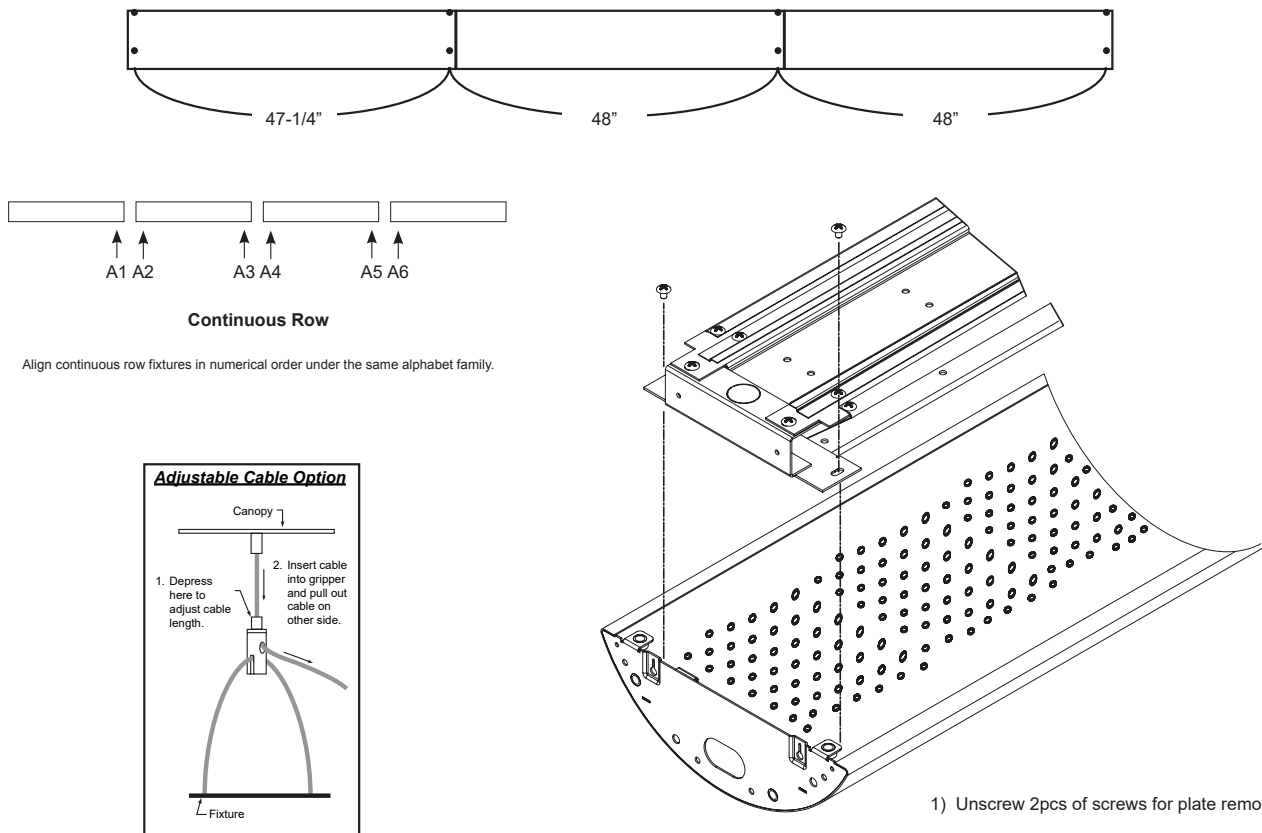
IMPORTANT SAFEGUARDS

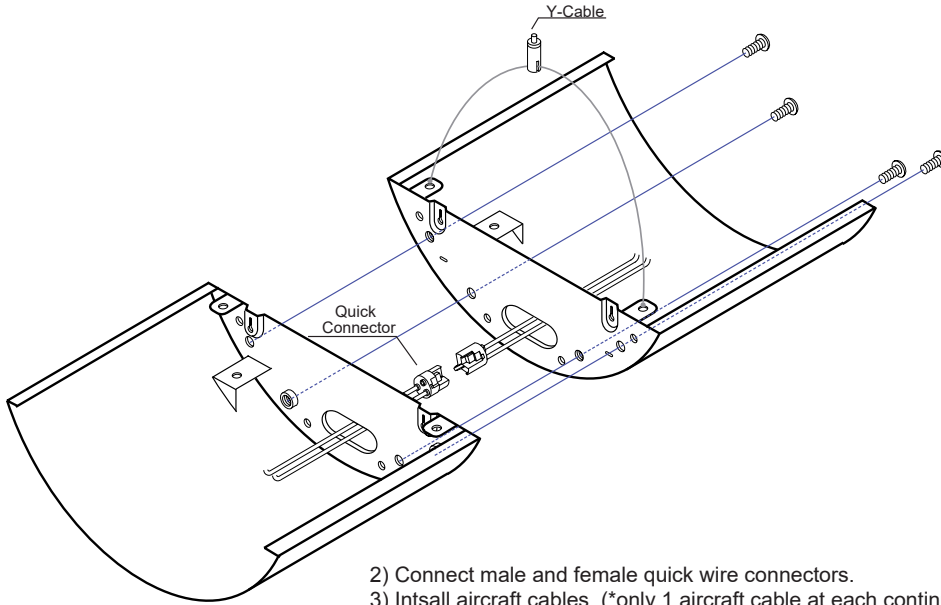
Ensure that the electrical wiring conforms to the National Electrical Code NEC® and local regulations if applicable. Installation and servicing of this equipment should be performed by qualified service personnel only. Do not mount near gas or electric heaters. Equipment should be mounted in locations and at heights where it will not readily be subjected to tampering by unauthorized personnel. The use of accessory equipment not recommended by the manufacturer may cause an unsafe condition. Any modification or use of non-original components will void the warranty and product liability. Do not use this equipment for other than intended use.

INSTALLATION INSTRUCTIONS

A) Fixture Run Installation

A.2 Joining Fixture Sections with Screw Type Cable (Cable to Cable: 47-1/4")





- 2) Connect male and female quick wire connectors.
- 3) Install aircraft cables. (*only 1 aircraft cable at each continuous joint is recommended)
- 4) Align and level the fixtures into a straight row and bolt fixture together.
- 5) Reinstall plate back.