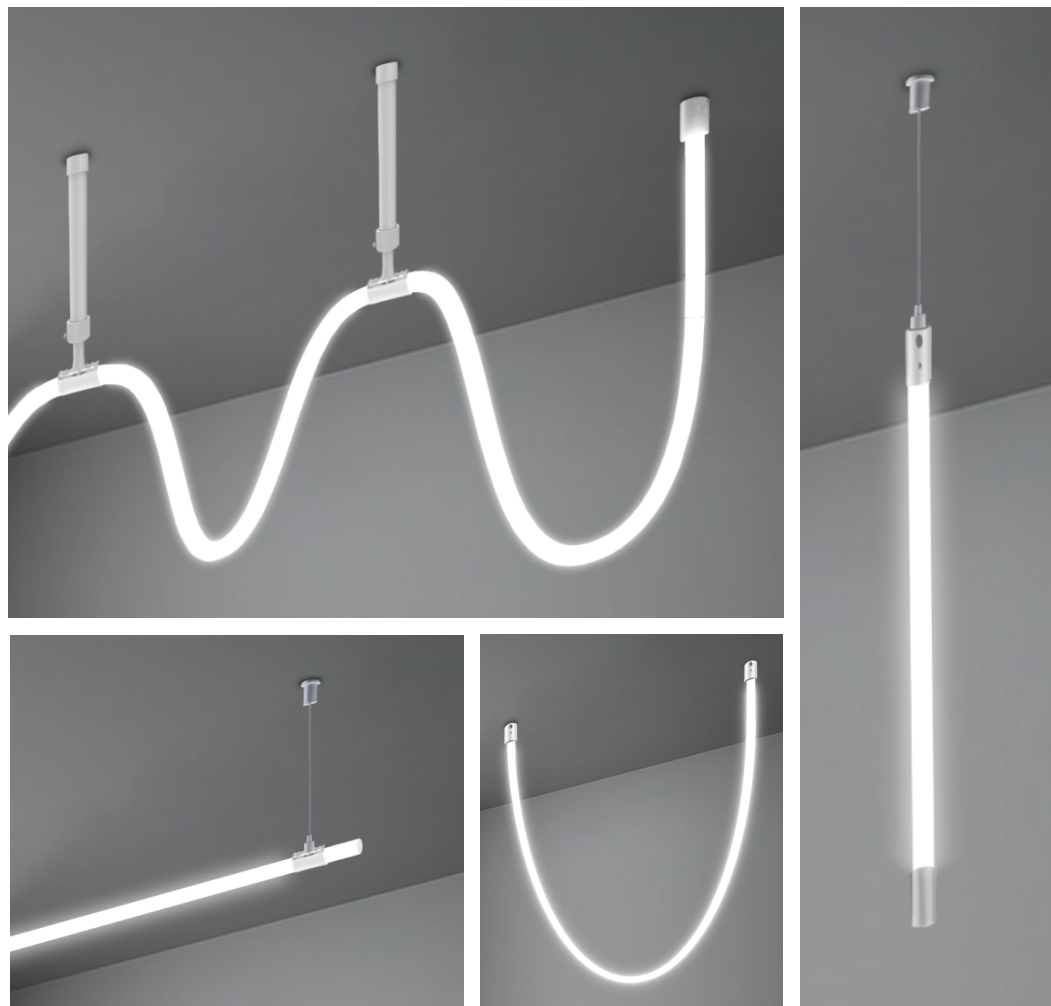




12103 INSTALLATION INSTRUCTIONS FOR: Flexible 360° Round Strip LED Light

Safety Precautions:

1. **Read Carefully:** Prior to installation or servicing, thoroughly read and understand all safety precautions and instructions. Failure to follow these guidelines may result in serious injury, electric shock, or property damage.
2. **Qualified Installation:** It is strongly recommended that all wiring be performed by a licensed electrician. This fixture must be installed in compliance with all national and local electrical codes.
3. **Avoid Wet Conditions:** Do not handle or attempt to energize the fixture with wet hands, or while standing on wet surfaces or in water. Do not install within 10 ft or less from the nearest edge of a pool, spa, fountain, or similar location
4. **Verify Power Source:** Ensure the power source meets the fixture's requirements. Product is 24V/48V. Do not connect to 120V power source.



WARNING:



RISK OF FIRE AND ELECTRICAL SHOCK. FIXTURE MUST BE INSTALLED BY A QUALIFIED ELECTRICIAN ONLY IN ACCORDANCE WITH NATIONAL, LOCAL BUILDING AND ELECTRICAL CODES. DISCONNECT POWER AT ELECTRICAL PANEL BEFORE SERVICING.

12103 VISIBLE MOUNTING CLIP INSTALLATION

Step 1

Position the Slingq fixture against the mounting surface, ensuring the mounting clips are spaced 12 inches apart.

Step 2

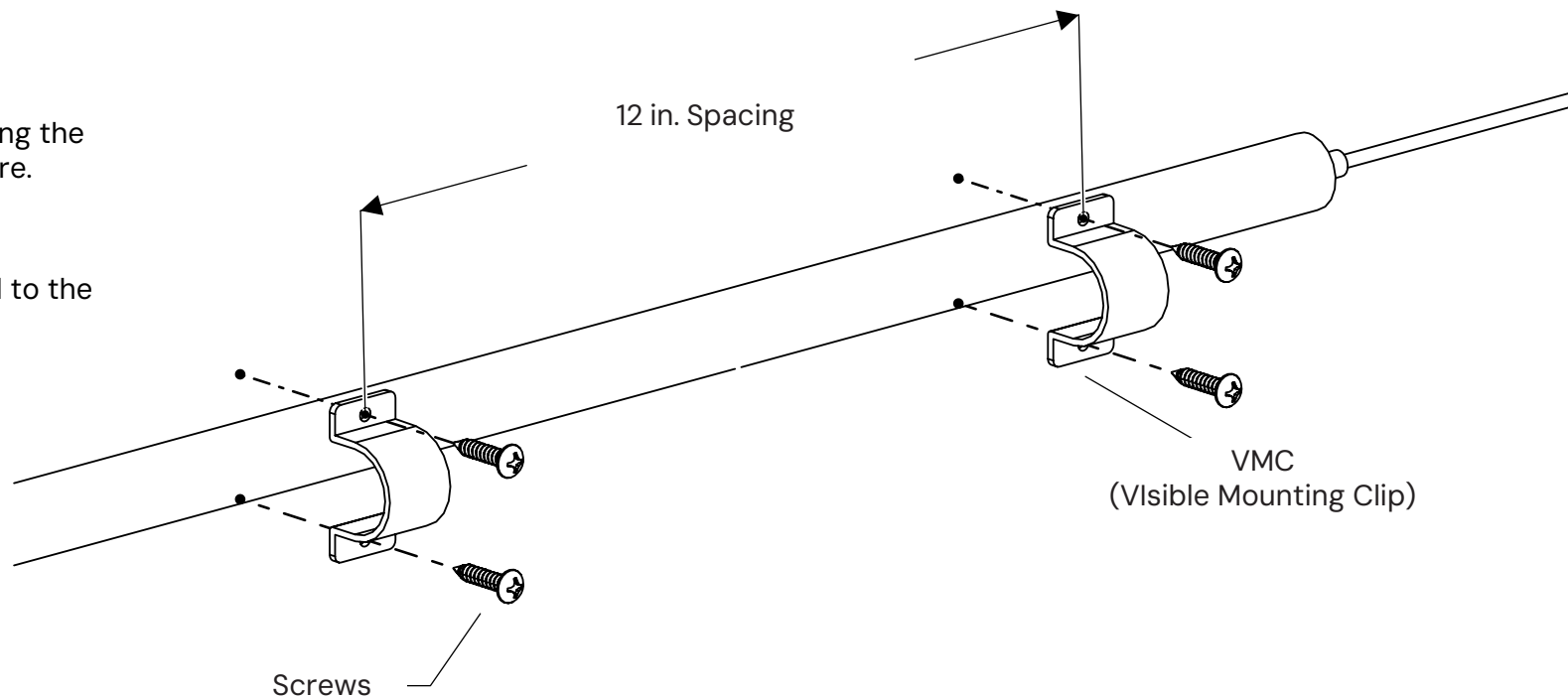
Secure the clips in place using the appropriate screws.

Step 3

Repeat steps 1 and 2 along the entire length of the fixture.

Step 4

Connect the power feed to the power supply.



WARNING: RISK OF FIRE AND ELECTRICAL SHOCK. FIXTURE MUST BE INSTALLED BY A QUALIFIED ELECTRICIAN ONLY IN ACCORDANCE WITH NATIONAL, LOCAL BUILDING AND ELECTRICAL CODES. DISCONNECT POWER AT ELECTRICAL PANEL BEFORE SERVICING.

12103 DISCREET MOUNTING BRACKET INSTALLATION

Step 1

Position the mounting brackets on the surface and secure them with the appropriate screws. (Factory recommends spacing brackets at least 12 inches apart.) (Figure 1)

Step 2

Align the fixture with the brackets and press it into place one at a time. Temporarily secure with a zip tie. (Figure 2)

Step 3

Fasten the fixture to each mounting bracket using six screws. Remove the zip ties and repeat steps 1–3 along the entire fixture length. (Figure 3)

Step 4

Connect the power feed to the power supply.

