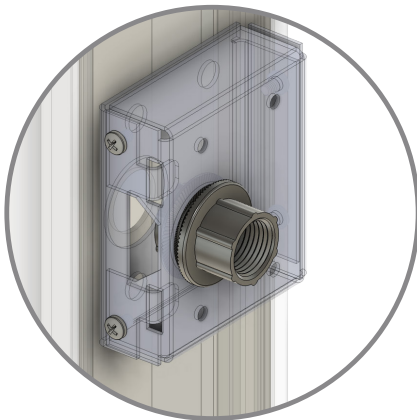


CAUTION: THIS PRODUCT MUST BE INSTALLED IN ACCORDANCE WITH THE APPLICABLE INSTALLATION CODE BY A PERSON FAMILIAR WITH THE CONSTRUCTION AND OPERATION OF THE PRODUCT AND THE HAZARDS INVOLVED. SAVE THESE INSTRUCTIONS!

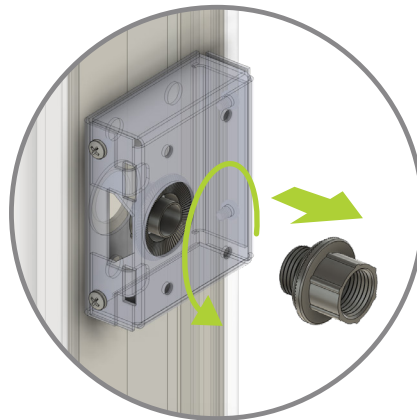
⚠ WARNING: Before beginning installation, disconnect electrical power at main switch or circuit breaker.

IMPORTANT SAFEGUARDS

Ensure that the electrical wiring conforms to the National Electrical Code NEC® and local regulations if applicable. Installation and servicing of this equipment should be performed by qualified service personnel only. Do not mount near gas or electric heaters. Equipment should be mounted in locations and at heights where it will not readily be subjected to tampering by unauthorized personnel. The use of accessory equipment not recommended by the manufacturer may cause an unsafe condition. Any modification or use of non-original components will void the warranty and product liability. Do not use this equipment for other than intended use.



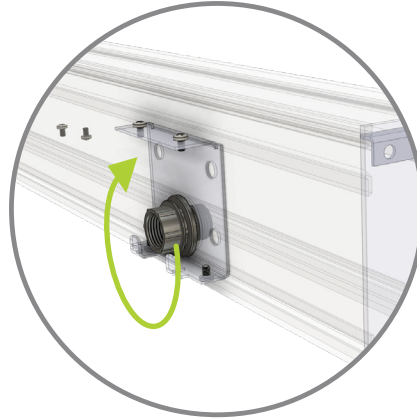
Current location of Myers hub, which is installed on the wall mount bracket.



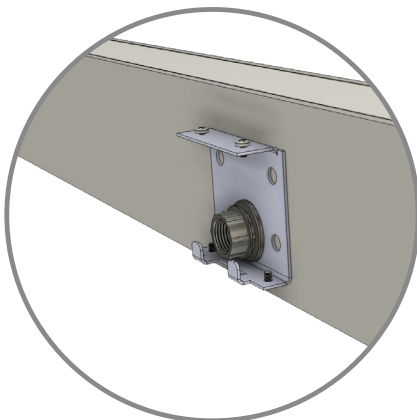
Unscrew hub and remove from the wall mount bracket.



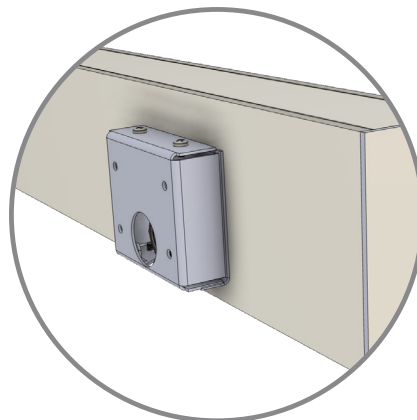
Remove lens and reflector, set wall mount bracket aside, hold hub collar inside of fixture and screw hub into collar.



Tighten so a secure seal is achieved.



Your completed hub re-install should look like this.



You are now ready to complete your wall mounting operation.