

Project Name: \_\_\_\_\_

Type: \_\_\_\_\_ Quantity: \_\_\_\_\_

### INTENDED USE

The Data Center Linear LED Lighting System is purpose-built for high-performance environments, including data centers, industrial facilities, and technology-driven spaces. Its clean lines, continuous runs, and tight lens integration support a refined, organized ceiling plane while delivering reliable illumination where consistency is critical. Designed for seamless integration with grid systems such as Tate, Gordon, and Armstrong, the fixture offers flexibility through custom lengths and angles. Constructed from marine-grade aluminum, it balances durability with a lightweight, architectural form, making it a practical and visually cohesive solution for data-centric applications.

### PRODUCT FAMILY

- 12100-44-P** Pendant Mount
- 12100-44-W** Wall Mount
- 12100-44-S** Surface Mount
- 12100-44-R** Recessed Mount

### AVAILABLE LENGTHS

- 2FT, 3FT, 4FT, 5FT, 6FT, 7FT & 8FT**
- Continuous Run** | Consult Factory
- Custom Length** | Consult Factory



### FEATURES

**Construction:** Precision-cut proprietary aluminum extrusion with flat end caps for a clean, architectural profile

**Continuous Run:** Fully configurable for seamless continuous runs and custom lengths (1' minimum)

**Mounting:** Compatible with standard 9/16" and 15/16" T-grid systems; flanged and flangeless trim options available; supports Tate, Gordon, Armstrong, and similar grid systems

**LEDs:** High-output LED system available in 2700K-5000K

**Life:** 100,000 hours, L70 rated

**Optics:** Snap-in satin acrylic lens for uniform light distribution and reduced pixelation

**Dimming:** 0-10V dimming standard; optional 1% dimming, DALI, and Lutron EcoSystem drivers available

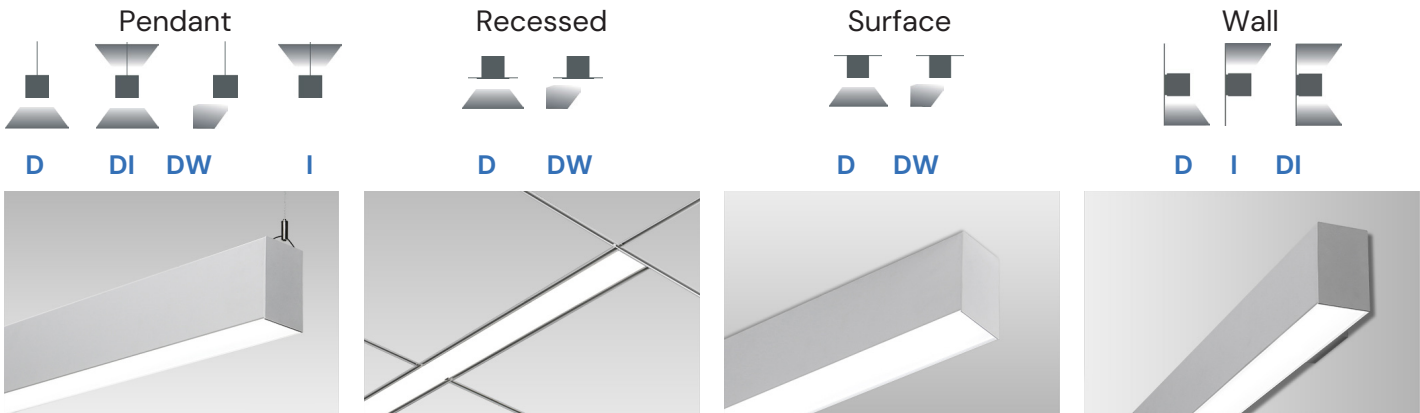
**Finish:** Matte white standard with custom RAL color options available

**Thermal Management:** Advanced heat dissipation using 2oz copper circuitry, aluminum PCB backing, and integrated aluminum reflector

**Custom Design:** Supports custom angles, configurations, and field-tailored layouts

**Listings:** ETL listed; BAA and BABA compliant; Made in USA

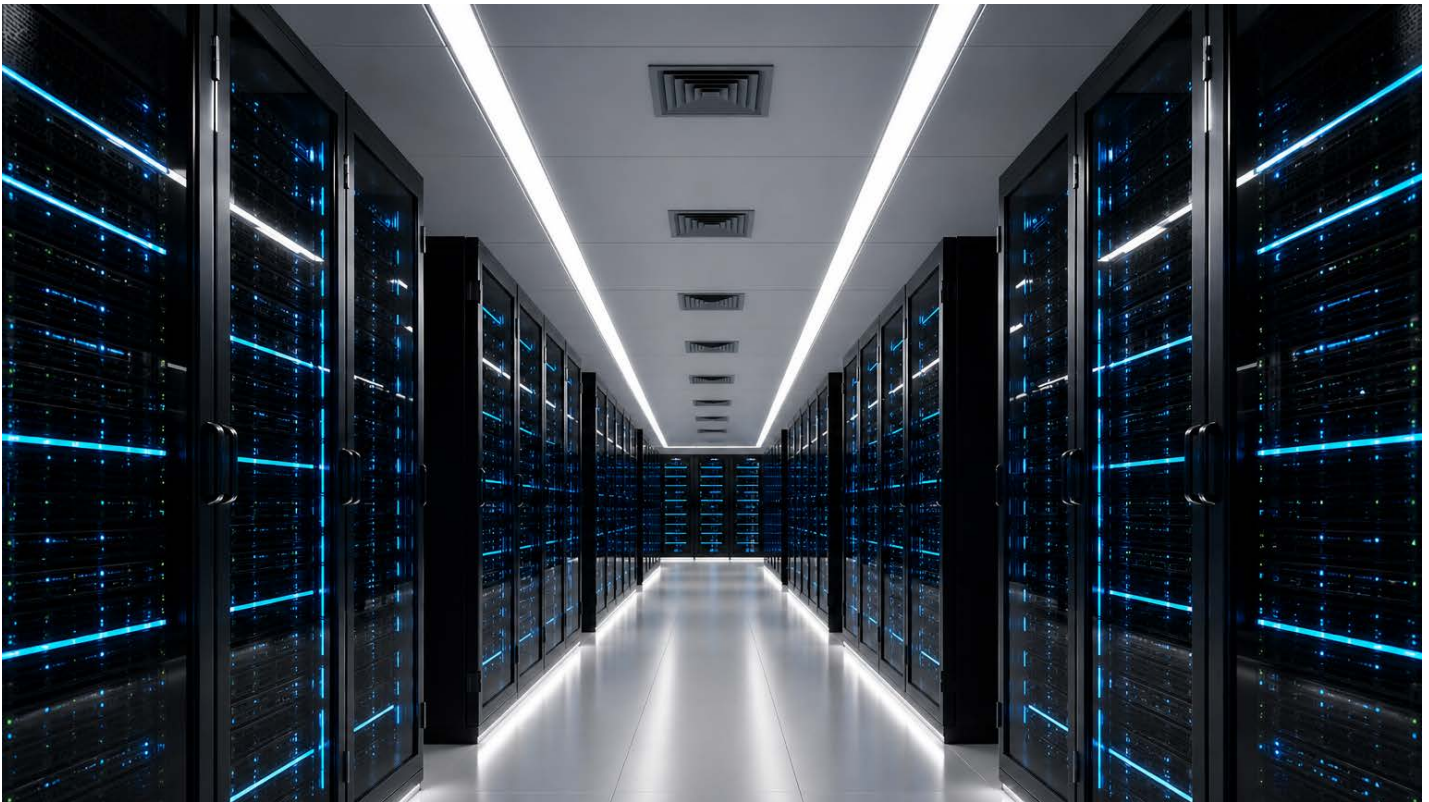
**Warranty:** 5 years carefree for parts & components (Labor not included)



## ORDERING INFORMATION Example:

MODEL		12100-44 4" x 4.5"					
MOUNTING		RTG RAD RGG	Recessed Tate Grid (Tate Global) Recessed Armstrong DynaMax GridRecessed Gordon Grid	RT RS RF RTL	Recessed T-Bar Grid Recessed Screw Slot Grid Recessed Flanged Recessed Trimless	P W S	Pendant Wall Surface
DOWNLIGHT OPTICS		D WW	Direct Direct Wallwash	DI WW-I	Direct/Indirect Direct Wallwash / Indirect	I	Indirect
DOWNLIGHT LUMENS <i>Wattage &amp; Lumens per foot</i>		D3W D4W	3.125 Watts   500 lms 4.375 Watts   700 lms	D6W D8W	6.25 Watts   1000 lms 8.75 Watts   1400 lms	D12W D13W	12 Watts   2000 lms 13.9 Watts   2500 lms
UPLIGHT LUMENS <i>Wattage &amp; Lumens per foot</i>		Blank	Not Required	I3W I4W	3.125 Watts   500 lms 4.375 Watts   700 lms	I6W I8W	6.25 Watts   1000 lms 8.75 Watts   1400 lms
SHAPE		Sx CRx RCx SQxx	Single Run Continuous Run Rectangle Square x = 2', 3', 4', 6' or 8' x = Length xx = Width & Length xx = Width & Length	Xxx Tx x Uxx CWxx	Cross Tee U Ceiling to Wall xx = Leg 1 & Leg 2 xx = Top leg & Base Leg xx = Base Leg & Side Leg xx = Ceiling & Wall	90xx 135xx CU	90° Angle 135° Angle Custom xx = Leg 1 & Leg 2 xx = Leg 1 & Leg 2
COLOR TEMPERATURE		27K 30K	2700K Soft White 3000K Soft White	35K 40K	3500K Neutral White 4000K Cool White	50K	5000K Daylight
CONTROL		D10 D1 D15 ND DALI	0-10V down to 10% (120-277V) <sup>Std</sup> 0-10V down to 1% (120-277V) 0-10V down to 5% (120-277V) Non-Dimming (120V) DALI down to 1%	DAL2 POE SGI ACB LUT	DALI i2 POE Signify (Interact) Acuity Brands (nLight) Lutron Electronics (Quantum)		
FINISH		WH BK	White (Matte) Black (Matte)	WHG BKG	Glossy White Glossy Black	WMA RAL#	Antimicrobial White Specify RAL # (Pg. 3)
PENDANT MOUNTING		Blank	Not Required	AC8 AC12 ACx	8.25' Adjustable Aircraft Cable 12.5' Adjustable Aircraft Cable Specify X in Feet (Max 30')	ST2 STX	2' Stem Specify X in Feet (Max 8')
CORD / CANOPY FINISH		Blank WH / WH WH / BK	Not Required White Cord / White Canopy White Cord / Black Canopy	BK / BK BK / WH	Black Cord / Black Canopy Black Cord / White Canopy	WH / RAL# BK / RAH#	White Cord / Specify RAL # (Page 3) Black Cord / Specify RAL # (Page 3)
CRI		80	82+	90	90+		
OPTIONS		EM14 IL <sup>1</sup>	14 Watt Emergency Battery INFINITY LENS				

<sup>1</sup> Only applicable on continuous runs. Length provided will match the housing length specified. Further lens information on page 6.



## FINISH OPTIONS

### Standard



	Matte White	RAL #9003
--	-------------	-----------

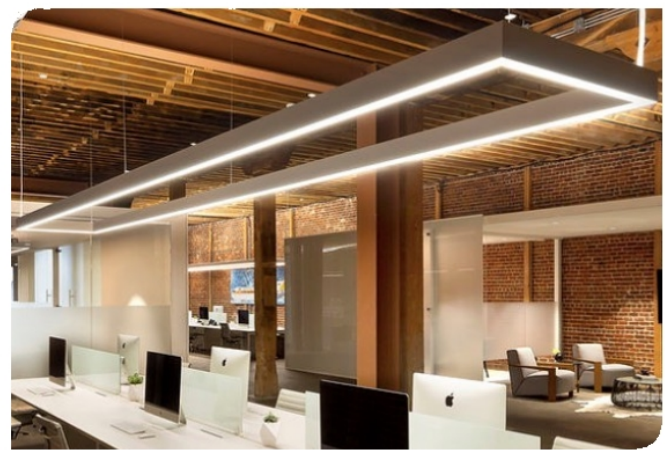
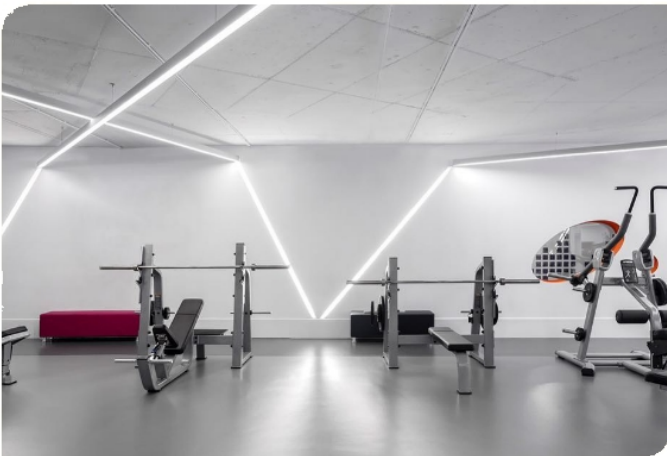
*Set up fee and longer lead time will be applied on non-standard finishes.*

### Metropolitan

	Black	RAL #9011
	Silver	RAL #9022
	Asher Grey	RAL #7004
	Mason	RAL #7039
	Slate	RAL #7031
	Tech Grey	RAL #7016
	Chocolate Spice	RAL #8017
	Urban Native	RAL #8025
	Carmin	RAL #8028
	Reseda Green	RAL #6011

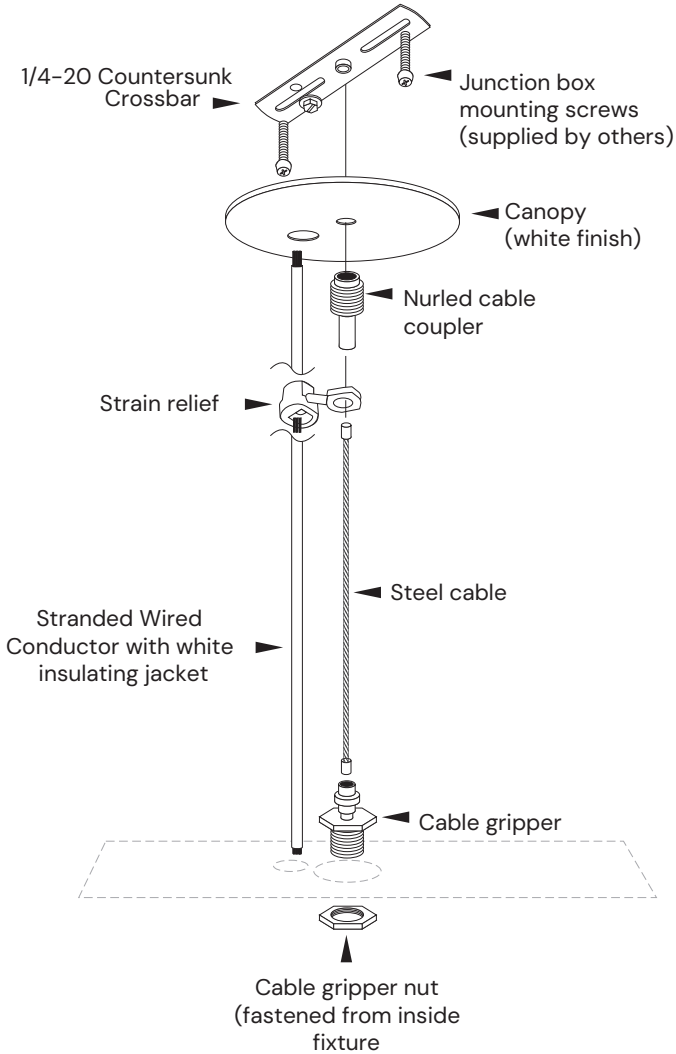
### Vibrant

	Violet Dreams	RAL #4006
	Purple Red	RAL #3004
	Carmine Red	RAL #3002
	Rose	RAL #3017
	Pure Orange	RAL #2004
	Traffic Yellow	RAL #1023
	Daisy	RAL #1018
	Antique Spring	RAL #6019
	Island Skye	RAL #6027
	Sky Blue	RAL #5015

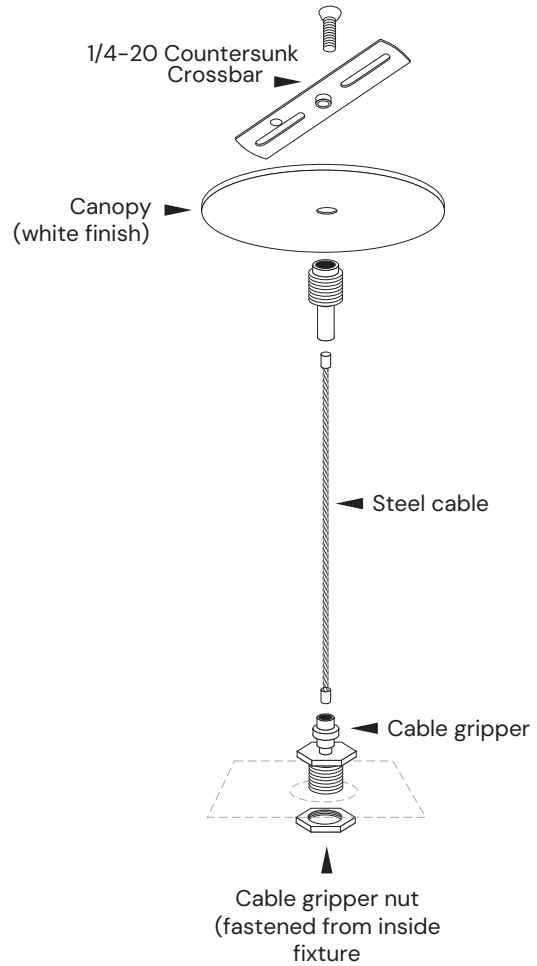


## Pendant Mounting

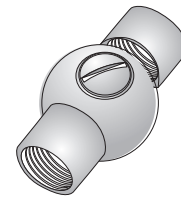
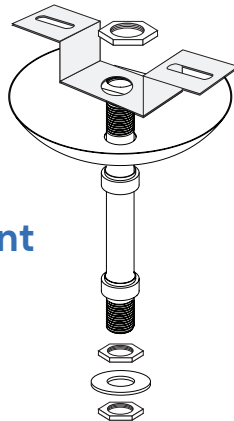
### Pendant Cord Power Feed



### Pendant Cord Non-Power Feed

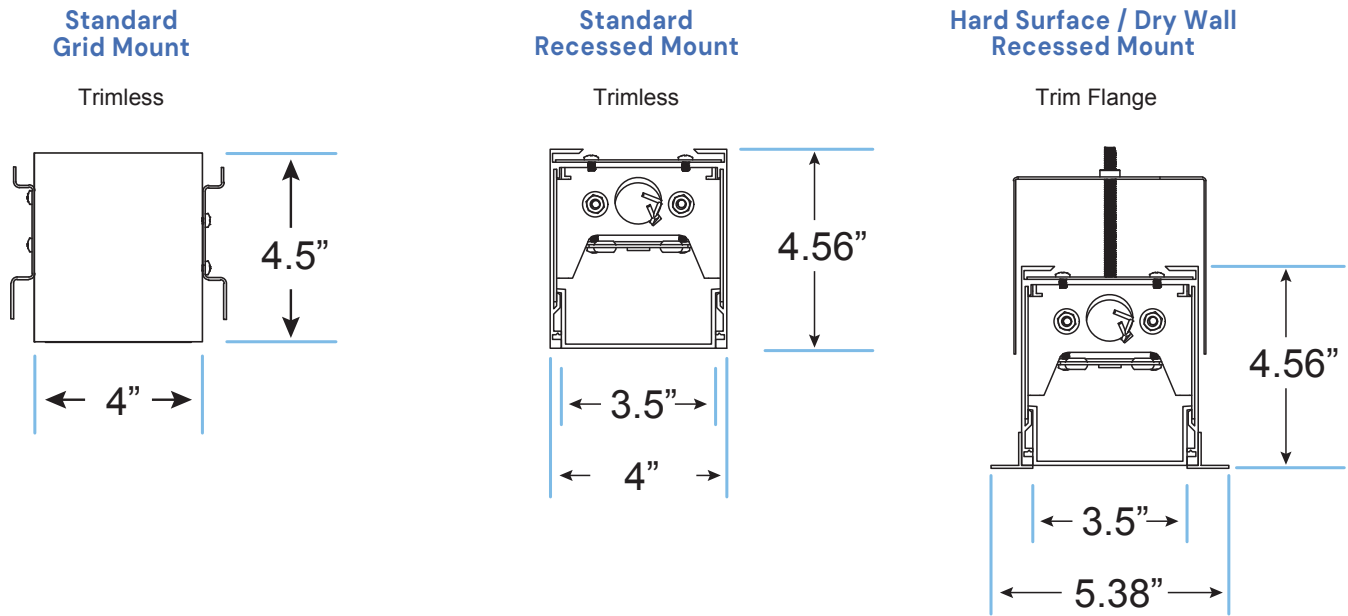


### Rigid Pendant

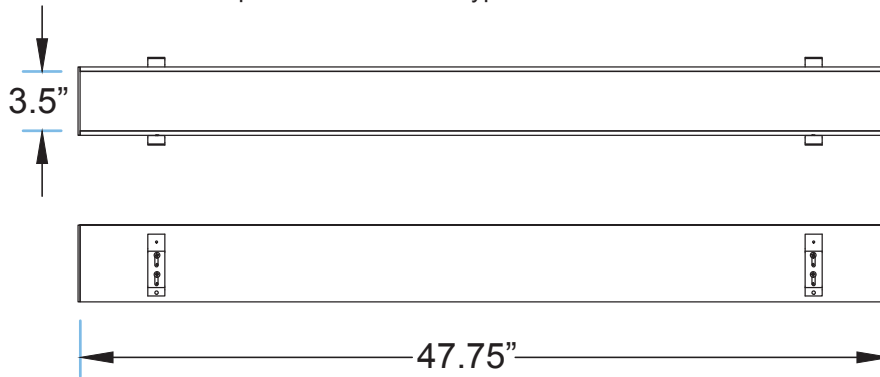


45 Degree Swivel  
For hanging Straight from Angled Surfaces

## DIMENSIONS



Sample dimensions of a typical 4' Trimless fixture

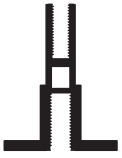


## PERFORMANCE DATA

OUTPUT	D3W	D4W	D6W	D8W	D12W	D13W
Lumens/Ft*	500	700	1000	1400	2000	2500
System Wattage/Ft	3.125W	4.375W	6.25W	8.75W	12.0W	13.9W
Efficacy (Lm/W)	160	160	160	160	160	160
CRI	>8	>8	>8	>82	>8	>82
Dimming	0-1	0-1	0-1	0-10V	0-1	0-10V
Color Consistency	>3 SDC	>3 SDC	>3 SDC	>3 SDCM	>3 SDC	>3 SDCM
Rated Life (L70)	>100,000 hr	>100,000 hr	>100,000 hrs	>100,000 hrs	>100,000 hrs	>100,000 hrs

\*Lumen output was calculated with 4000K LEDs.

## DATA CENTER GRID SYSTEMS/INSTALLATION



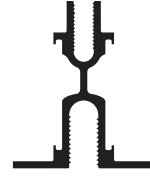
Tate Global



Gordon Grid Pro



Gordon Grid Max



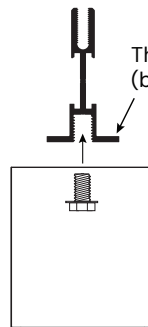
Armstrong

With the application of a standard fender washers and a bolts/fixtures can be easily mounted to a variety of threaded grid systems.

Regardless of what grid you are utilizing, or how a fixture is to be mounted, we can provide a solution so

Remove lens and reflector to access inside of fixture.

Insert a standard fender bolt and washer thru the housing from the inside and thread into your grid. Tighten bolt to secure fixture to grid.

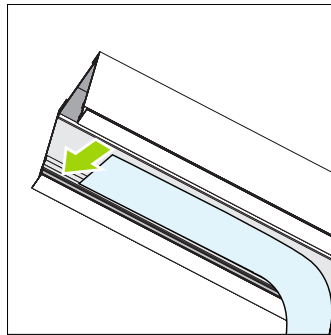
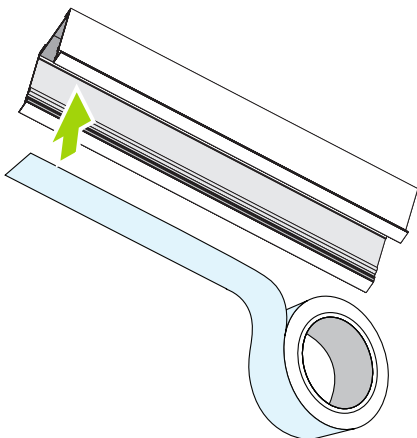


Threaded Grid (by others)

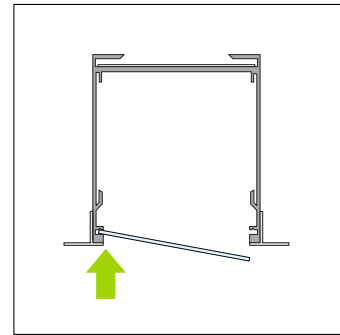
If a different method of mounting is required, please contact factory.

## INFINITY LENS

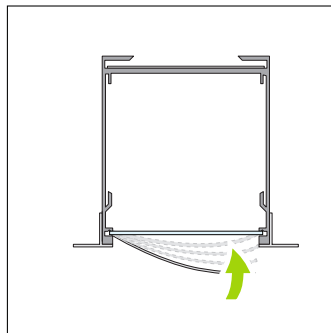
The Infinity Lens is designed to snap securely into the lens channel of the 12100-44 fixture. Its flexible material allows for slight curvature, enabling easy insertion into both sides of the channel. Once engaged, the lens can be smoothly guided along the full length of the fixture. The final section may be field-trimmed to ensure a precise, clean fit at the end.



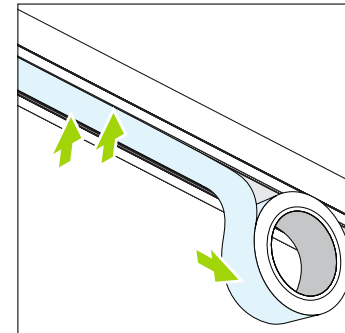
Insert one edge of the INFINITY LENS into lens channel



The lens edge should fit securely into one side



Cup lens and wedge the other edge into the opposite channel



Work the lens down the length of the fixture by pressing both sides

## COMPATIBLE 0-10V DIMMERS



**2100**  
0-10V Wireless 5-Wire to 3-Wire  
Modern LED Wall Dimmer



**2101**  
0-10V Slide-to-Off Modern LED  
Dimmer Switch Single-Pole



**2102**  
0-10V Modern LED Dimmer  
Switch 3-Way/Single-Pole

Mfg.	Model	Mfg.	Model	Mfg.	Model
Lutron	S-603PG	Lutron	DVELV-303P	Lutron	CT-103P
Leviton	IPIO6-1LZ	Lutron	SELV-300P	Cooper	SLC03P
Leviton	6631-2	Leviton	6683-IW	Leviton	IPEO4
Lutron	DVCL-153P	Leviton	6161	Lutron	MAELV-600
Lutron	DV-600P	Leviton	6633-P	Lutron	FAELV-500
Lutron	TGCL-153P	Lutron	TG-600P	Lightolier	ZP260QEW
Lutron	S-600P	Cooper	DLC03P	Cooper	DAL06P
Leviton	VPEO6	Lutron	LG-600P	Leviton	IP710-DLZ

## COLOR TEMPERATURE GUIDE

<p><b>2700K</b></p> <p>WARM WHITE</p> <p>friendly personal intimate</p> <p>HOMES LIBRARIES RESTAURANTS</p> <p>✓</p>	<p><b>3000K</b></p> <p>SOFT WHITE GLOW</p> <p>soft warm pleasing</p> <p>HOMES HOTEL ROOMS LOBBIES RETAIL STORES</p> <p>✓</p>	<p><b>3500K</b></p> <p>NEUTRAL GLOW</p> <p>social inviting non-threatening</p> <p>EXECUTIVE OFFICES RECEPTION AREAS SUPERMARKETS</p> <p>✓</p>	<p><b>4000K</b></p> <p>COOL WHITE GLOW</p> <p>neat clean efficient</p> <p>OFFICES CLASSROOMS MASS MERCHANDISERS SHOWROOMS</p> <p>✓</p>	<p><b>5000K</b></p> <p>DAYLIGHT GLOW</p> <p>bright cool alert</p> <p>GRAPHICS INDUSTRY HOSPITALS GALLERIES BEAUTY SALONS</p> <p>✓</p>
---	--	---	--	---