

CAUTION: THIS PRODUCT MUST BE INSTALLED IN ACCORDANCE WITH THE APPLICABLE INSTALLATION CODE BY A PERSON FAMILIAR WITH THE CONSTRUCTION AND OPERATION OF THE PRODUCT AND THE HAZARDS INVOLVED. SAVE THESE INSTRUCTIONS!



WARNING: Before beginning installation, disconnect electrical power at main switch or circuit breaker.

IMPORTANT SAFEGUARDS

Ensure that the electrical wiring conforms to the National Electrical Code NEC® and local regulations if applicable. Installation and servicing of this equipment should be performed by qualified service personnel only. Do not mount near gas or electric heaters. Equipment should be mounted in locations and at heights where it will not readily be subjected to tampering by unauthorized personnel. The use of accessory equipment not recommended by the manufacturer may cause an unsafe condition. Any modification or use of non-original components will void the warranty and product liability. Do not use this equipment for other than intended use.

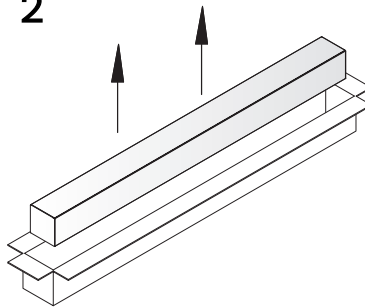
INSTALLATION INSTRUCTIONS

1



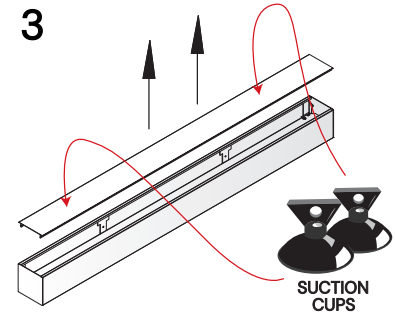
REMINDER: TO AVOID ELECTRIC SHOCK HAZARD, DISCONNECT THE POWER AT THE PANEL BOARD (CIRCUIT BOX) BEFORE BEGINNING INSTALLATION!

2



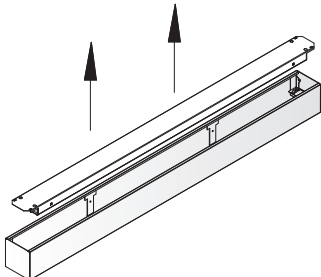
Carefully remove fixture from packaging. Use gloves to prevent dirt and oils from transferring to the unit. Inspect the fixture for any defects before proceeding.

3



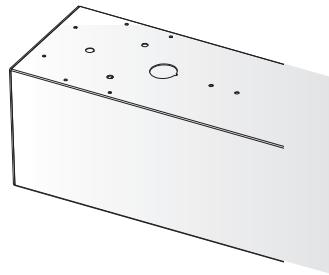
CAUTION: EDGES MAY BE SHARP: Carefully remove lens from fixture (using provided suction cups) gently un-snapping one side at a time, and set lens aside. Leave the suction cups on the lens.

4



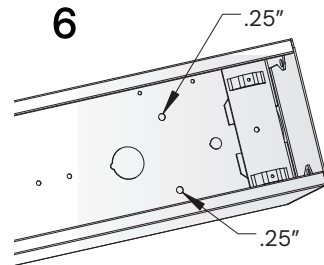
Remove LED assembly (it will hang from tethers) and set aside.

5



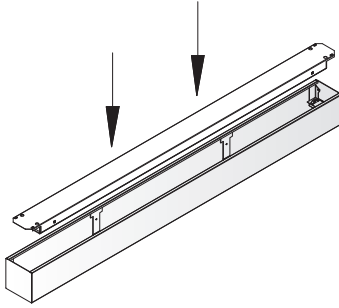
7/8" knockout is located on the back of the fixture to allow for wiring. Bring wiring through.

6



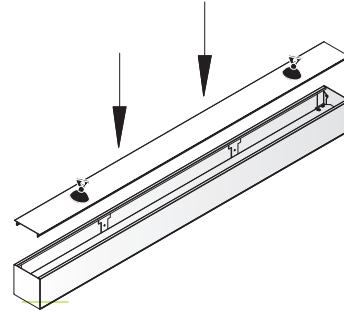
Mount fixture to surface by installing screws through .25" holes (or keyways if applicable) located on back of fixture.

7



Wire fixture according to all national, state and local codes. Re-install LED assembly and test fixture.

8



CAUTION: EDGES MAY BE SHARP:

Attach suction cups to the face of the lens (if you need to reposition the lens or remove and start over, the suction cups give you valuable gripping points on the lens)

Carefully re-insert lens by gently squeezing the sides of the lens and reinsert into the housing - snapping in one side at a time. The lens WILL FIT FLUSH WITH THE SURFACE OF THE HOUSING.