

WARNING:



READ AND FOLLOW ALL INSTRUCTIONS BEFORE ASSEMBLY, INSTALLATION, OR USE OF THIS FIXTURE. FAILURE TO COMPLY WITH THE INSTRUCTIONS IN THE MANUAL MAY INCREASE THE RISK OF DAMAGE OR INJURY AND WILL VOID THE WARRANTY.

## CAUTION

Read and understand all instructions before installation. Installation must be performed by a qualified electrician and in accordance with all national and local electrical codes.

## PRE-INSTALLATION

- Disconnect power before installation.
- Installation must be completed by a qualified electrician in accordance with national and local electrical codes.
- For indoor use only.
- Do not look directly into the light source.
- Improper installation may result in fire, shock, or product damage.

## WARRANTY

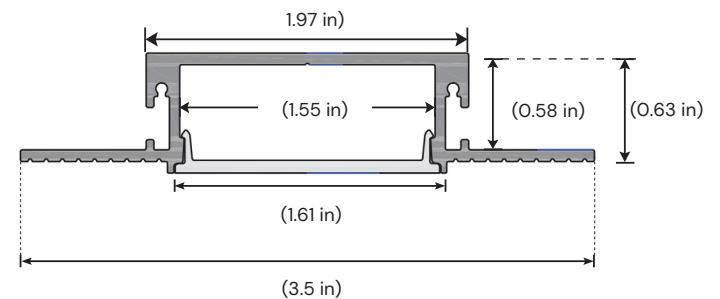
Thank you for choosing Alcon Lighting. This fixture is backed by a 5-year limited warranty covering defects in materials and workmanship from the date of purchase. Labor is not included.

- Proof of purchase is required for all warranty claims.
- Warranty does not cover damage caused by improper installation, misuse, modification, accidents, or neglect.
- Failure to follow installation instructions will void the warranty.

## 12100-15-R | 1.5-Inch Shallow Trimless Linear Recessed LED Light



## DIMENSIONS





## INSTALLATION INSTRUCTIONS

### Step 1: Prepare Drywall Opening

Measure and mark the drywall cutout location based on the profile dimensions and installation layout. Mark stud locations before cutting (Figure 1)

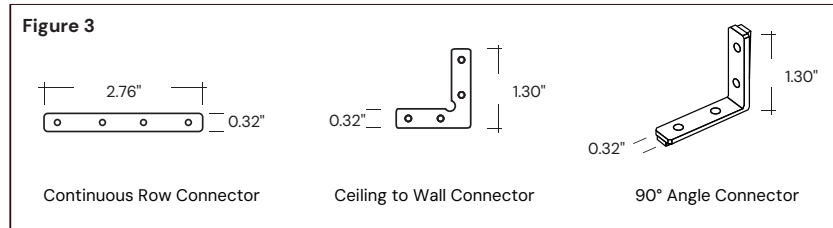
### Step 2: Cut Profile to Length

Cut the 12100-15-R profile to the required length prior to installation (Figure 2)

### Step 3: Connect Profiles (If Applicable)

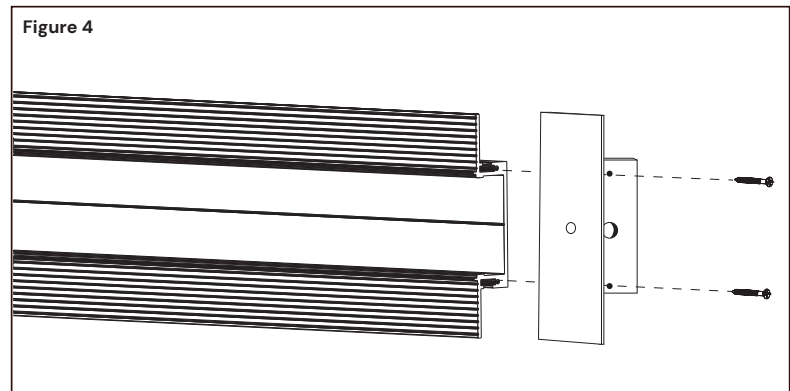
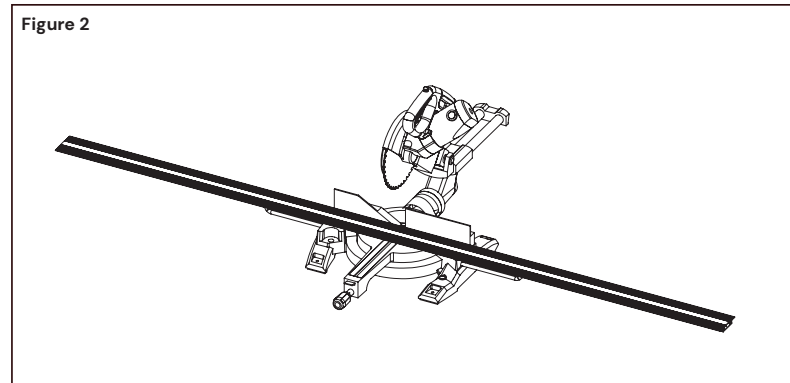
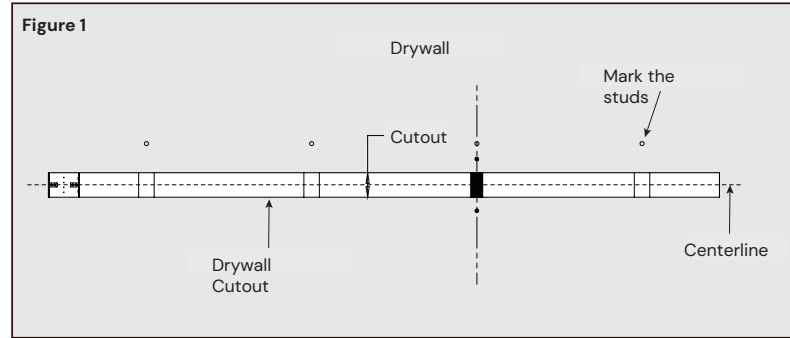
For continuous runs or corners, use compatible connectors (Figure 3)

- Continuous Row Connector
- Ceiling-to-Wall Connector
- 90° Angle Connector
- Ensure all connections are properly aligned and secured.



### Step 4: Install End Caps

Attach end caps to both ends of the profile using the supplied hardware (Figure 4)





## INSTALLATION INSTRUCTIONS

### Step 5: Mount Profile

Secure the profile into the drywall opening using countersunk screws (Figure 5)

- Ensure screw heads are flush with the mounting flange.
- Drill only through the flange area.
- Do not drill through the center channel to avoid product damage.

### Step 6: Finish Drywall Surface

Apply drywall tape along both edges of the profile before plastering to help prevent cracking (Figure 6)

- Do not overlap drywall tape.
- Apply plaster, sand smooth, and finish with paint as required.

### Step 7: Install LED Strip

Remove the adhesive backing from the LED strip and install the strip evenly inside the channel (Figure 7A)

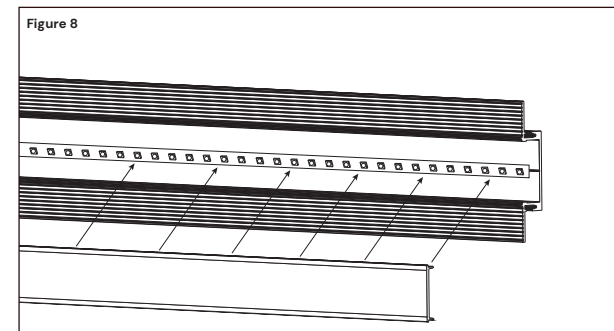
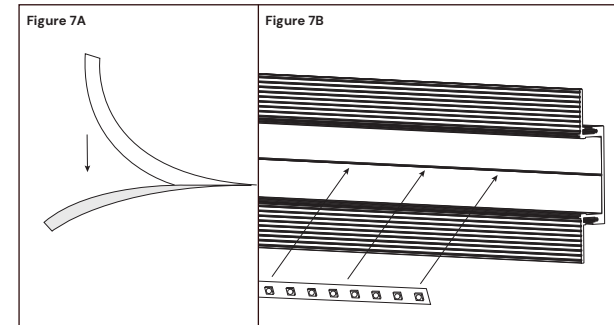
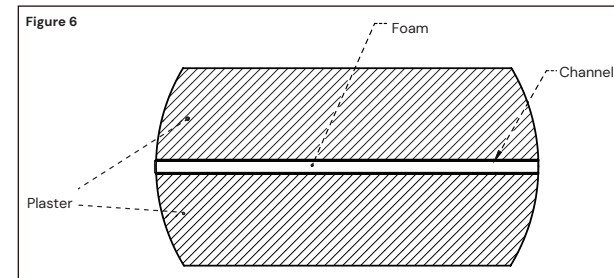
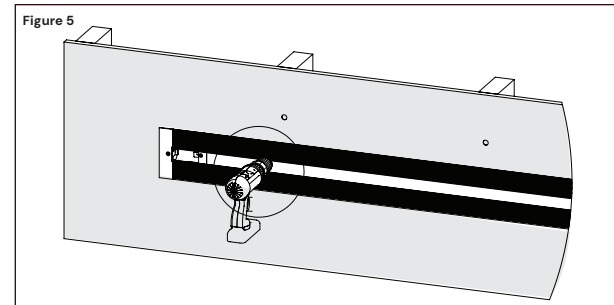
Ensure the strip is fully seated and flat to maintain uniform illumination and prevent dark spots (Figure 7B)

### Step 8: Install Diffuser

Press the diffuser into place until fully secured along the profile length (Figure 8)

### Step 9: Complete Wiring

Make final electrical connections in accordance with applicable electrical codes and project requirements.



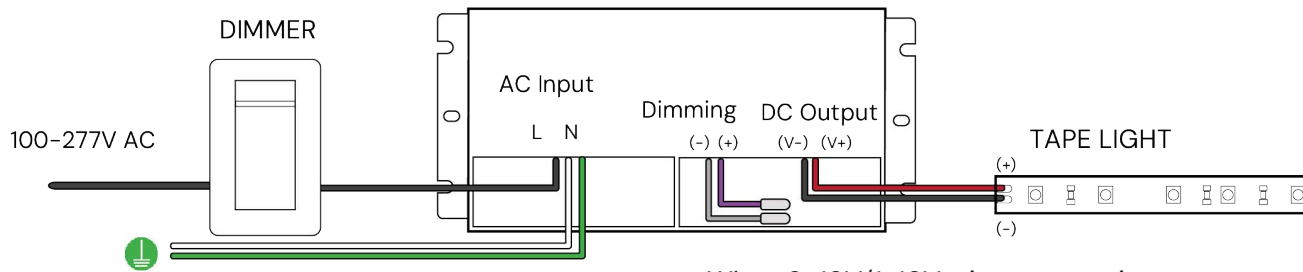
WARNING:



READ AND FOLLOW ALL INSTRUCTIONS BEFORE ASSEMBLY, INSTALLATION, OR USE OF THIS FIXTURE. FAILURE TO COMPLY WITH THE INSTRUCTIONS IN THE MANUAL MAY INCREASE THE RISK OF DAMAGE OR INJURY AND WILL VOID THE WARRANTY.

## WIRING DIAGRAM

### TRIAC DIMMING



When 0-10V/1-10V wires are not in use, please keep insulators in place.

### 0-10/ 1-10V DIMMING

