

CONTINUOUS RUN INSTALLATION INSTRUCTIONS

WARNING: RISK OF FIRE AND ELECTRICAL SHOCK. FIXTURE MUST BE INSTALLED BY A QUALIFIED ELECTRICIAN ONLY IN ACCORDANCE WITH NATIONAL, LOCAL BUILDING AND ELECTRICAL CODES. DISCONNECT POWER AT ELECTRICAL PANEL BEFORE SERVICING.



BEFORE YOU BEGIN

Read and follow all safety instructions

WARNING

RISK OF FIRE, EXPLOSION AND ELECTRIC SHOCK

- This product should be installed, inspected, and maintained by a qualified electrician only, in accordance with the NEC (National Electric Code) and all local codes.
- Turn off electrical power before inspection, installation or removal.
- Use only UL (or other NRTL) approved wire for input/output connections.
- Make sure LEDs and drivers are cool to touch when performing maintenance.
Make sure the supply voltage is the same as the rated voltage of the luminaire.
- Do not install in a hazardous atmosphere, except where the ambient temperature does not exceed the rated operating temperature of the fixture.
- Keep tightly closed when in operation



Prepare Electrical Wiring



Electrical Requirements

Must check if the local voltage range is correspond with the working voltage of the fixture. Use min. 75°C supply.



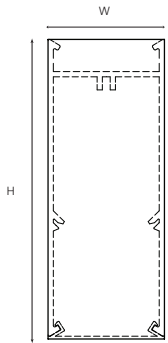
Grounding Instructions

The grounding and bonding of the overall system shall be done in accordance with NEC Article 600 and local codes.



Follow all applicable safety procedures and use Personal Protective Equipment such as hardhats, safety glasses, reflective vest, electrical safety gloves, fall protection equipment and safety toe boots during the installation, operation, and maintenance of the luminaire.

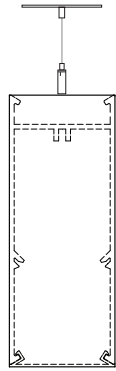
CONTINUOUS RUN INSTALLATION INSTRUCTIONS



Specifications: 12100-14

Width: 1.75 (44.5)
Depth: 4.5 (114.3)

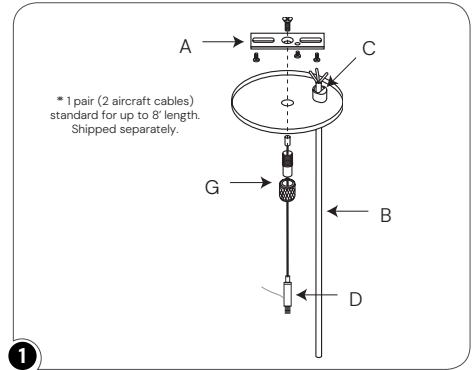
All dimensions are in inches (millimeters).



Cable

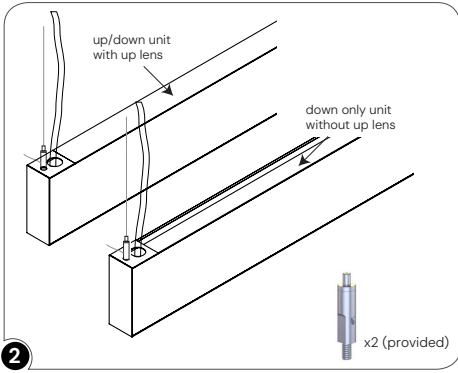
• **PART LIST**

- A: Canopy bracket
- B: Power cord
- C: Power feed canopy
- D: Bottom threaded side exit gripper
- E: Aircraft cable
- F: Threaded stud
- G: Cable mounting nut
- H: Screws



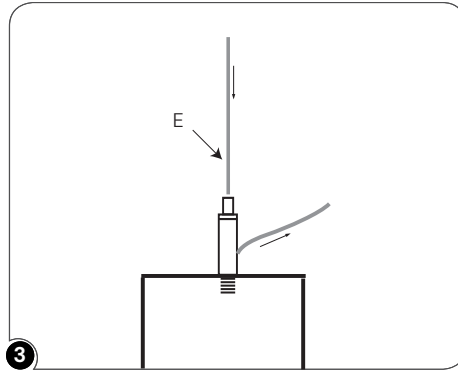
1

Install canopy bracket (A) on to j-box and Run power cord (B) through Power feed canopy (C) and secure the power cord inside the canopy. Connect the power cord to the ceiling power feed from j-box. Place canopy in position on Threaded stud and secure with cable mounting nut (G).



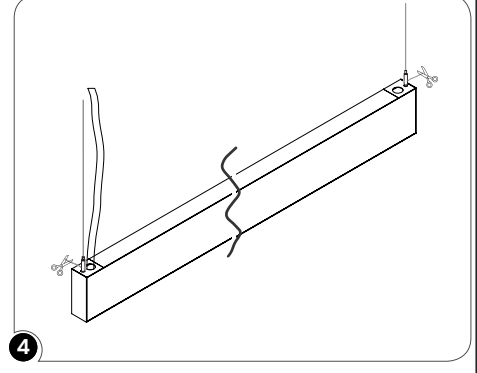
2

Install bottom threaded side exit grippers (D) and insert AC cable.



3

Run Aircraft cable (E) through Grip lock installed on fixture and adjust height by pushing Grip lock.

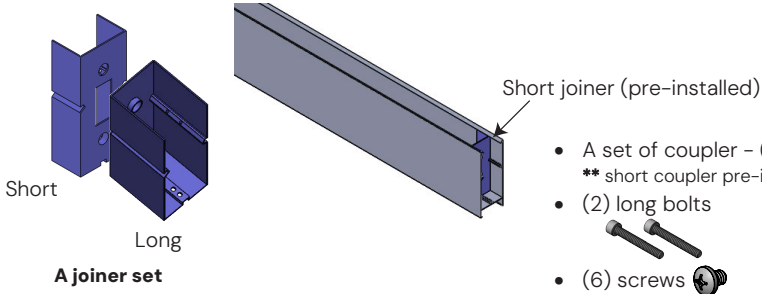


4

Complete the AC cable pendant mount installation. Feel free to cut off the extra AC cable.

CONTINUOUS RUN INSTALLATION INSTRUCTIONS

Provided:



Tool(s) needed:



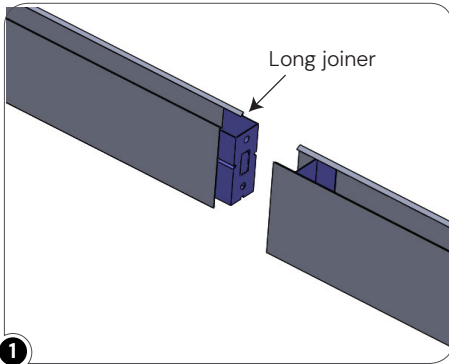
Option 1)

Cordless drill and an elbow or L-shape adapter with Phillips Insert Bit extension.

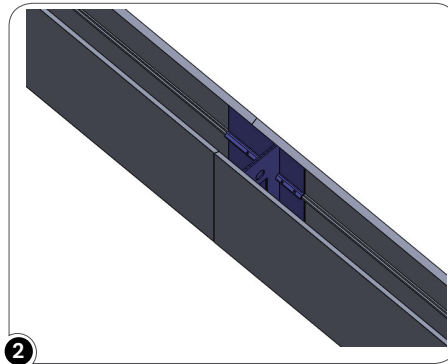


Option 2)

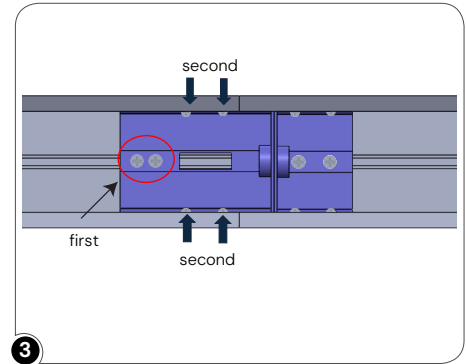
Flexible Screwdriver with Phillips Insert Bit



1 Align the next feeding fixture and insert (1) long joiner.

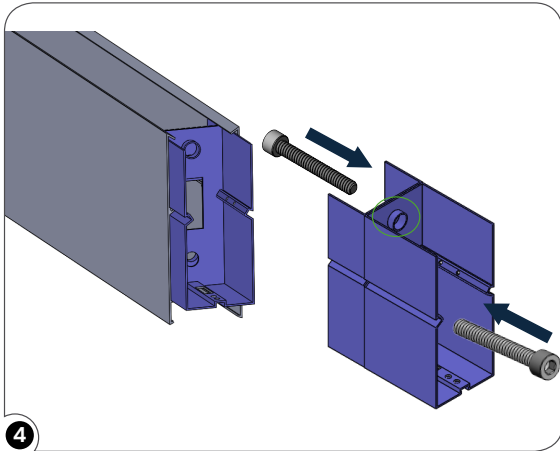


2 Make sure to place the long joiner to face the pre-installed short joiner.



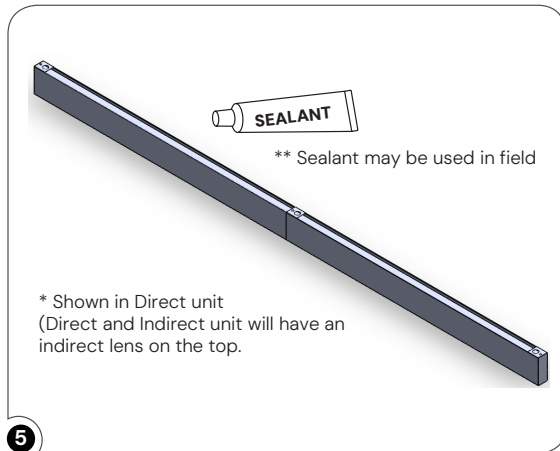
3 Use 2pcs short screws (provided) to fix the bottom of the long joiner first. Then use 4pcs screws (provided) to fix the side of the joiner.

CONTINUOUS RUN INSTALLATION INSTRUCTIONS



4

Follow the welded nut (1 per joiner) to fix the long bolt from the opposite side to pull the joiner.

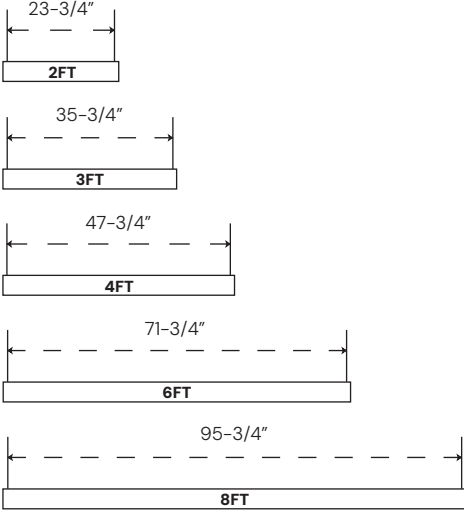


5

Install the module plate and lens to complete the continuous run.

CONTINUOUS RUN INSTALLATION INSTRUCTIONS

INDIVIDUAL



CONTINUOUS

