

## INSTALLATION INSTRUCTIONS

**WARNING:** RISK OF FIRE AND ELECTRICAL SHOCK. FIXTURE MUST BE INSTALLED BY A QUALIFIED ELECTRICIAN ONLY IN ACCORDANCE WITH NATIONAL, LOCAL BUILDING AND ELECTRICAL CODES. DISCONNECT POWER AT ELECTRICAL PANEL BEFORE SERVICING.



### BEFORE YOU BEGIN

Read and follow all safety instructions

### WARNING

#### RISK OF FIRE, EXPLOSION AND ELECTRIC SHOCK

- This product should be installed, inspected, and maintained by a qualified electrician only, in accordance with the NEC (National Electric Code) and all local codes.
- Turn off electrical power before inspection, installation or removal.
- Use only UL (or other NRTL) approved wire for input/output connections.
- Make sure LEDs and drivers are cool to touch when performing maintenance.  
Make sure the supply voltage is the same as the rated voltage of the luminaire.
- Do not install in a hazardous atmosphere, except where the ambient temperature does not exceed the rated operating temperature of the fixture.
- Keep tightly closed when in operation



### Prepare Electrical Wiring



#### Electrical Requirements

Must check if the local voltage range is correspond with the working voltage of the fixture. Use min. 75°C supply.



#### Grounding Instructions

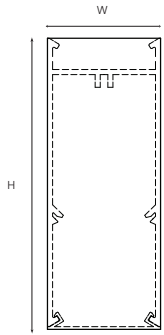
The grounding and bonding of the overall system shall be done in accordance with NEC Article 600 and local codes.



Follow all applicable safety procedures and use Personal Protective Equipment such as hardhats, safety glasses, reflective vest, electrical safety gloves, fall protection equipment and safety toe boots during the installation, operation, and maintenance of the luminaire.

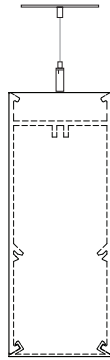
## PENDANT MOUNT INSTALLATION

**WARNING:** RISK OF FIRE AND ELECTRICAL SHOCK. FIXTURE MUST BE INSTALLED BY A QUALIFIED ELECTRICIAN ONLY IN ACCORDANCE WITH NATIONAL, LOCAL BUILDING AND ELECTRICAL CODES. DISCONNECT POWER AT ELECTRICAL PANEL BEFORE SERVICING.



**Specifications: 12100-14**

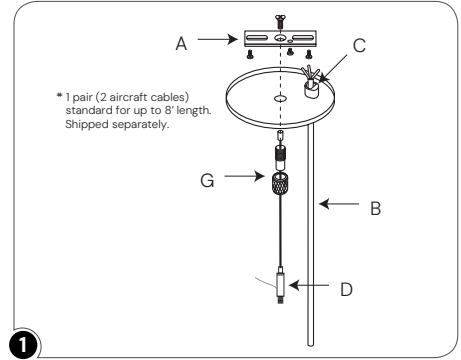
Width: 1.75 (44.5)  
Depth: 4.5 (114.3)  
All dimensions are in inches (millimeters).



Cable

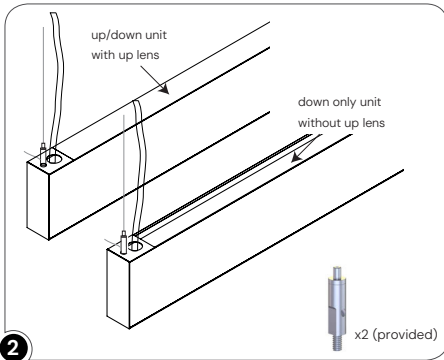
**PART LIST**

- A: Canopy bracket
- B: Power cord
- C: Power feed canopy
- D: Bottom threaded side exit gripper E: Aircraft cable
- F: Threaded stud
- G: Cable mounting nut
- H: Screws



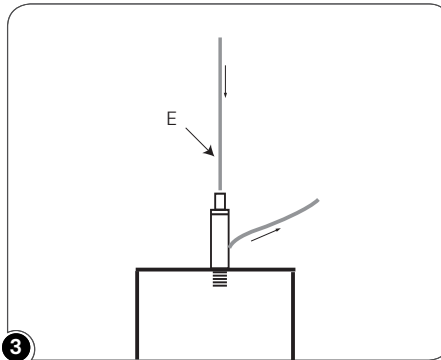
1

Install canopy bracket (A) on to j-box and Run power cord (B) through Power feed canopy (C) and secure the power cord inside the canopy. Connect the power cord to the ceiling power feed from j-box. Place canopy in position on Threaded stud and secure with cable mounting nut (G).



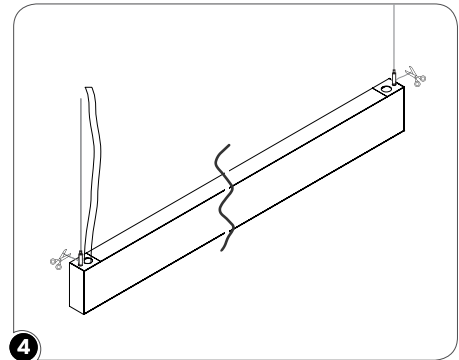
2

Install bottom threaded side exit grippers (D) and insert AC cable.



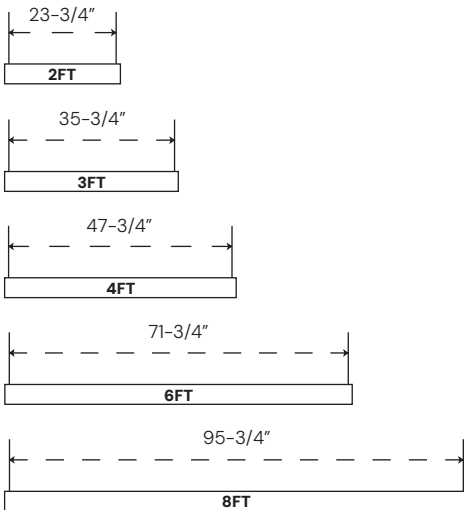
3

Run Aircraft cable (E) through Grip lock installed on fixture and adjust height by pushing Grip lock.



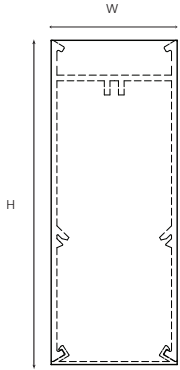
4

Complete the AC cable pendant mount installation. Feel free to cut off the extra AC cable.



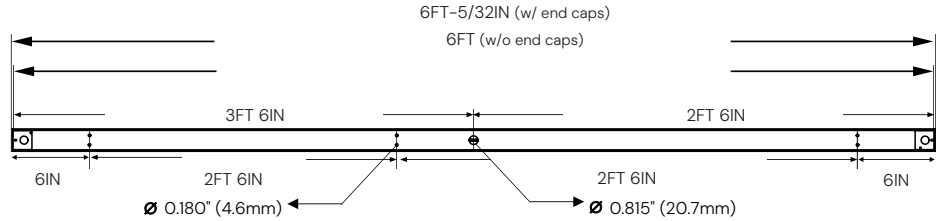
## SURFACE MOUNT INSTALLATION

**WARNING:** RISK OF FIRE AND ELECTRICAL SHOCK. FIXTURE MUST BE INSTALLED BY A QUALIFIED ELECTRICIAN ONLY IN ACCORDANCE WITH NATIONAL, LOCAL BUILDING AND ELECTRICAL CODES. DISCONNECT POWER AT ELECTRICAL PANEL BEFORE SERVICING.



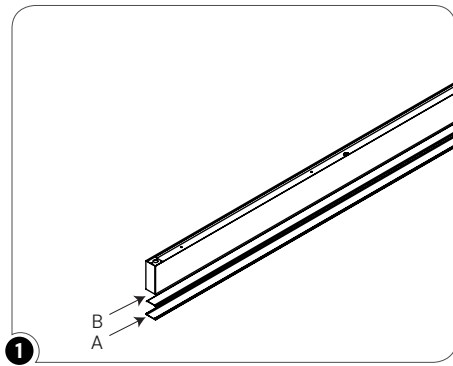
**Specifications: 12100-14**  
 Width: 1.75 (44.5)  
 Depth: 4.5 (114.3)  
 All dimensions are in inches (millimeters).

### MOUNTING LENGTH INFORMATION

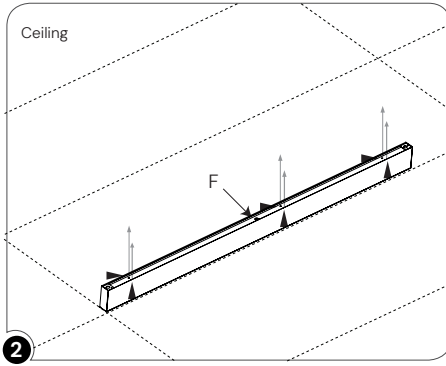


### PART LIST

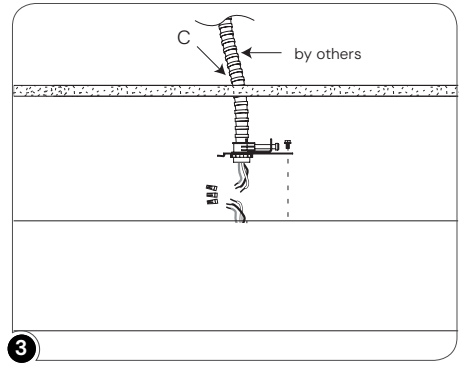
- A: Lens
- B: LED module plate
- C: BX cable connector
- D: Self-drilling anchor screw
- E: Washer
- F: J-box
- G: Screws



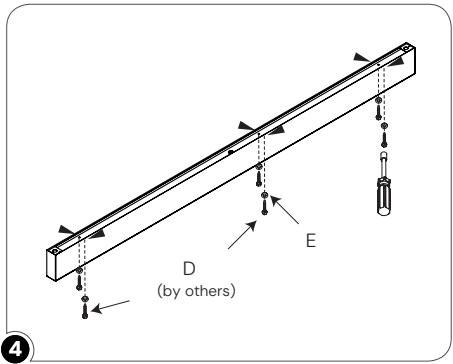
1 Remove lens (A) and module plate (B).



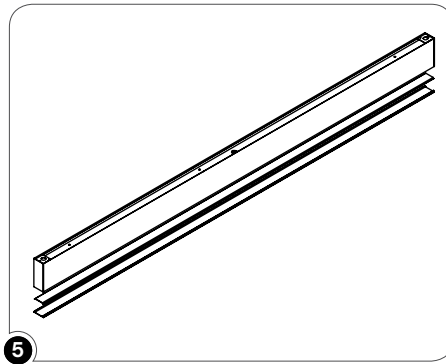
2 Align fixture to ceiling to mark holes and locate J-box (F).



3 Use holes provided for BX cables (C) and make wire connection to Fixture wires.



4 Screw fixture to ceiling using Self-drilling Spiral Anchors (D) with washer (E).



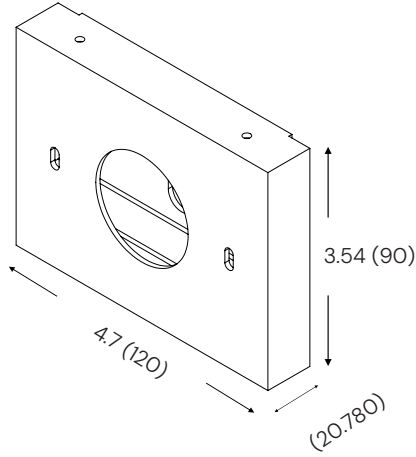
5 Reinstall lens (A) and module plate (B).

## WALL MOUNT INSTALLATION

**WARNING:** RISK OF FIRE AND ELECTRICAL SHOCK. FIXTURE MUST BE INSTALLED BY A QUALIFIED ELECTRICIAN ONLY IN ACCORDANCE WITH NATIONAL, LOCAL BUILDING AND ELECTRICAL CODES. DISCONNECT POWER AT ELECTRICAL PANEL BEFORE SERVICING.

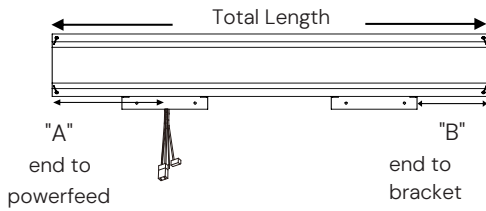
### WALL MOUNT BRACKET

\*Dimensions are in inches (millimeters).



### MOUNTING LENGTH INFORMATION

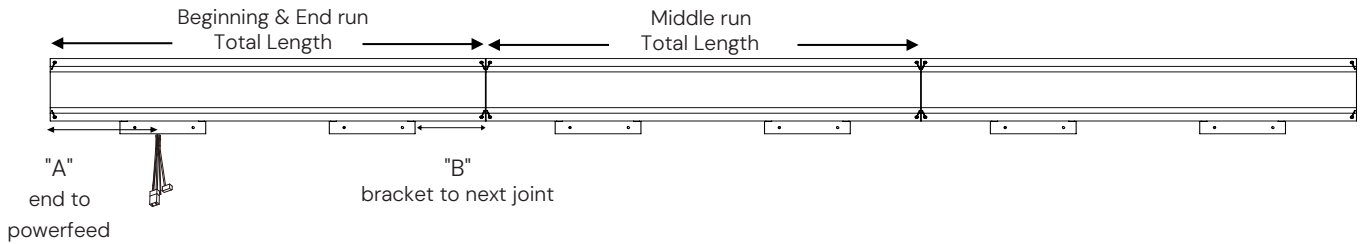
#### 12100-14/20 Individual Run



\*Standard location otherwise specified.

ITEM	TOTAL LENGTH	"A"	"B"
12100-14/20-IND 2FT	24-1/8"	6-5/8"	4-1/4"
12100-14/20-IND 3FT	36-1/8"	10"	7-11/16"
12100-14/20-IND 4FT	48-1/8"	10"	7-11/16"
12100-14/20-IND 6FT	72-1/8"	10"	7-11/16"
12100-14/20-IND 8FT	96-1/8"	10"	7-11/16"

#### 12100-14/20 Continuous Run

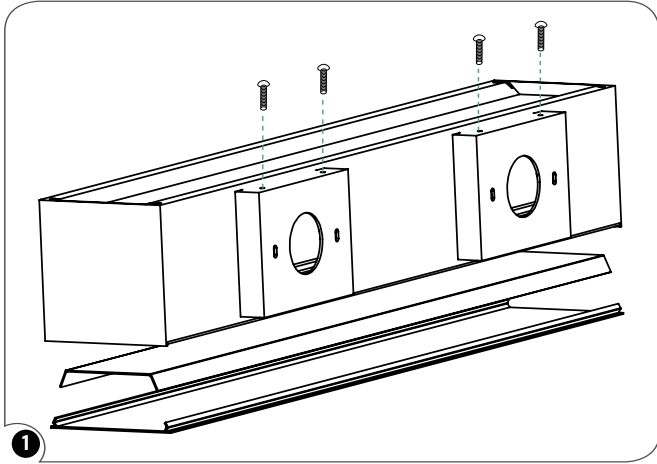


\*Standard location otherwise specified.

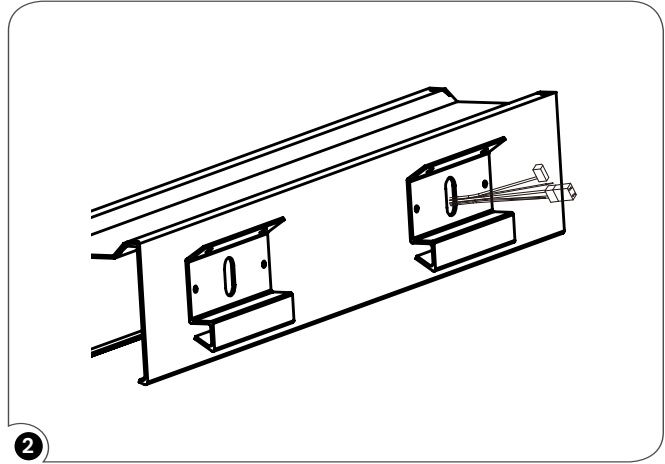
ITEM	Beg. & End Run Total Length	Middle Run Total Length	"A"	"B"
12100-14/20-CON 2FT	24-1/16"	24"	6-5/8"	4-3/16"
12100-14/20-CON 3FT	36-1/16"	36"	10"	7-5/8"
12100-14/20-CON 4FT	48-1/16"	48"	10"	7-5/8"
12100-14/20-CON 6FT	72-1/16"	72"	10"	7-5/8"
12100-14/20-CON 8FT	96-1/16"	96"	10"	7-5/8"

**WALL MOUNT INSTALLATION - INDIVIDUAL RUN**

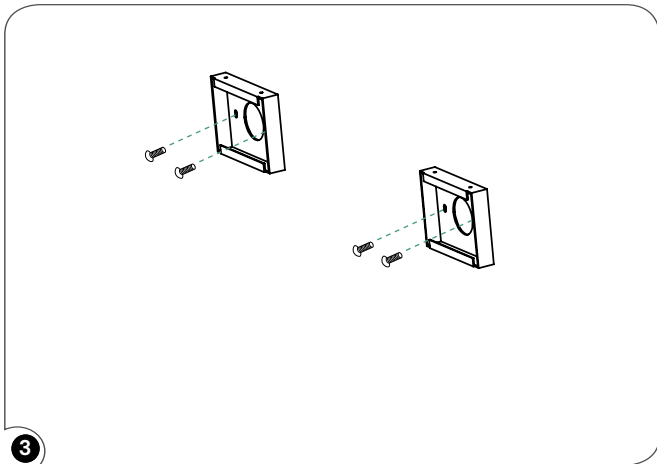
**WARNING:** RISK OF FIRE AND ELECTRICAL SHOCK. FIXTURE MUST BE INSTALLED BY A QUALIFIED ELECTRICIAN ONLY IN ACCORDANCE WITH NATIONAL, LOCAL BUILDING AND ELECTRICAL CODES. DISCONNECT POWER AT ELECTRICAL PANEL BEFORE SERVICING.



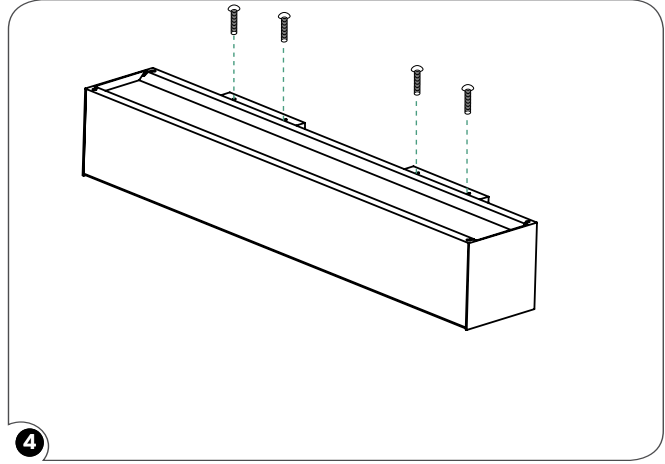
**1** Remove lens, module plate and outer wall mount brackets.



**2** Pull out the wires from power feed side.



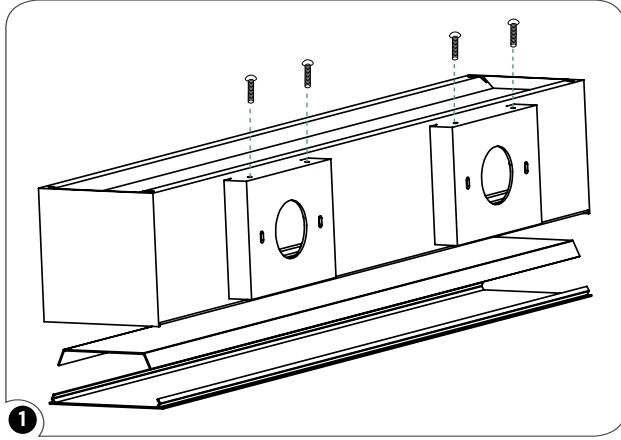
**3** Fix and secure the outer wall mount brackets on the wall, screws provided by others.



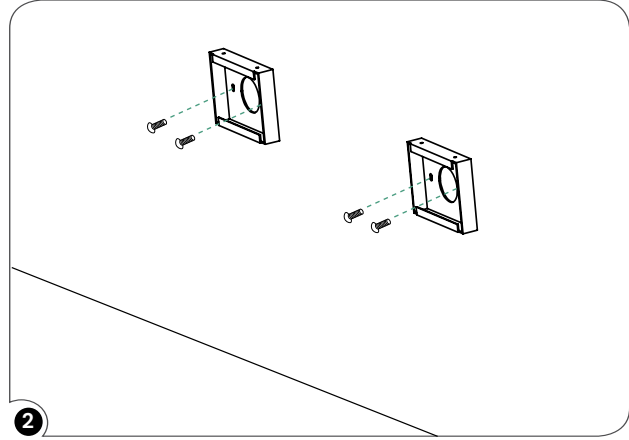
**4** Reinstall module plate and lens first, make wire connection, secure the fixture against the wall. Make sure to fix inner and outer wall mount brackets tightly with the screws provided.

## WALL MOUNT INSTALLATION - CONTINUOUS RUN

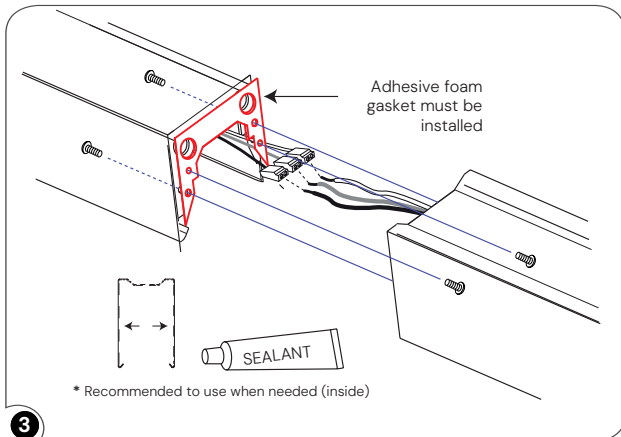
**WARNING:** RISK OF FIRE AND ELECTRICAL SHOCK. FIXTURE MUST BE INSTALLED BY A QUALIFIED ELECTRICIAN ONLY IN ACCORDANCE WITH NATIONAL, LOCAL BUILDING AND ELECTRICAL CODES. DISCONNECT POWER AT ELECTRICAL PANEL BEFORE SERVICING.



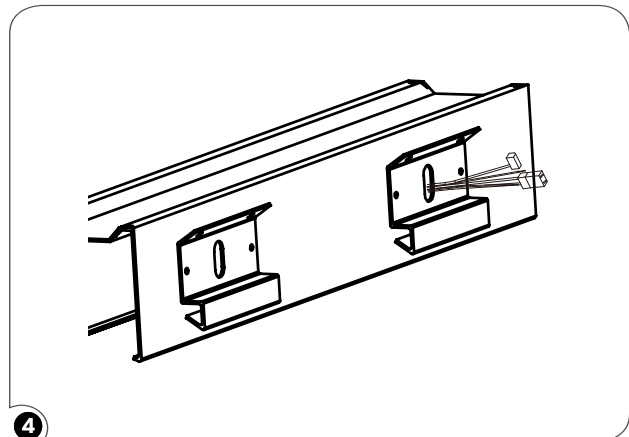
**1** Remove lens, module plate and outer wall mount brackets.



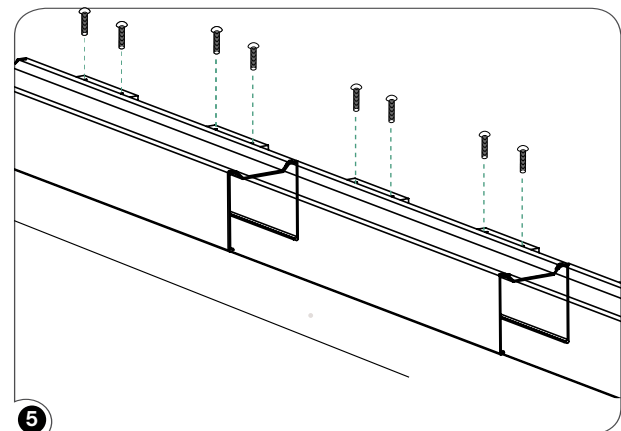
**2** Fix and secure the outer wall mount brackets on the wall, screws provided by others.



**3** Make wire connection for all continuous runs internally and join the runs together with 4 screws provided.



**4** Look for the powerfeed location and pull out the main power supply wires.



**5** Reinstall module plate and lens first, make wire connection, secure the fixture against the wall. Make sure to fix inner and outer wall mount brackets tightly with the screws provided.

**WIRING DIAGRAM**

**WARNING:** RISK OF FIRE AND ELECTRICAL SHOCK. FIXTURE MUST BE INSTALLED BY A QUALIFIED ELECTRICIAN ONLY IN ACCORDANCE WITH NATIONAL, LOCAL BUILDING AND ELECTRICAL CODES. DISCONNECT POWER AT ELECTRICAL PANEL BEFORE SERVICING.

Alcon Lighting 12100-14 Architectural LED Linear Direct/Indirect Light Fixture

