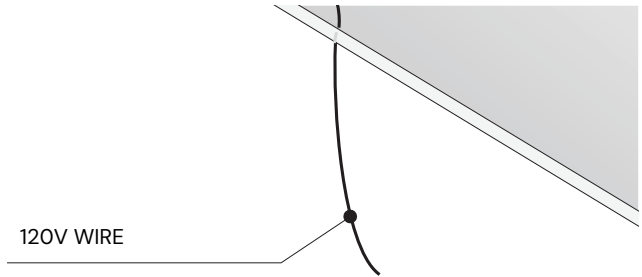


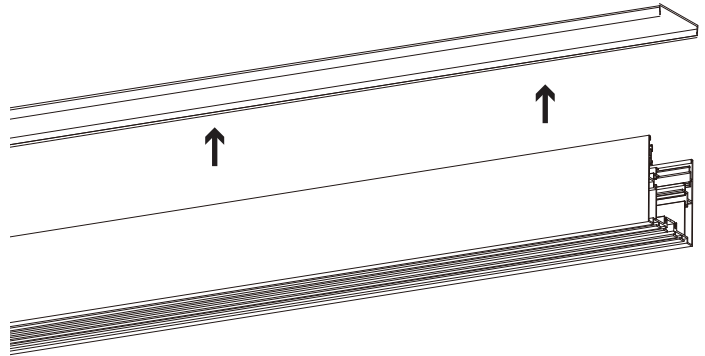


WARNING: RISK OF ELECTRIC SHOCK. TURN OFF MAIN POWER BEFORE INSTALLATION, ENSURE HANDS ARE DRY, AND NEVER TOUCH EXPOSED WIRES.

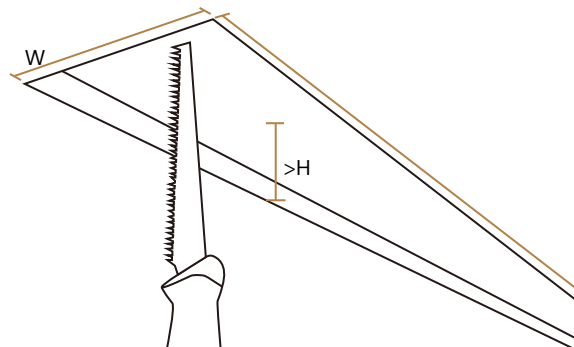
1 RUN 120V WIRE THROUGH CEILING



2 REMOVE DIFFUSER



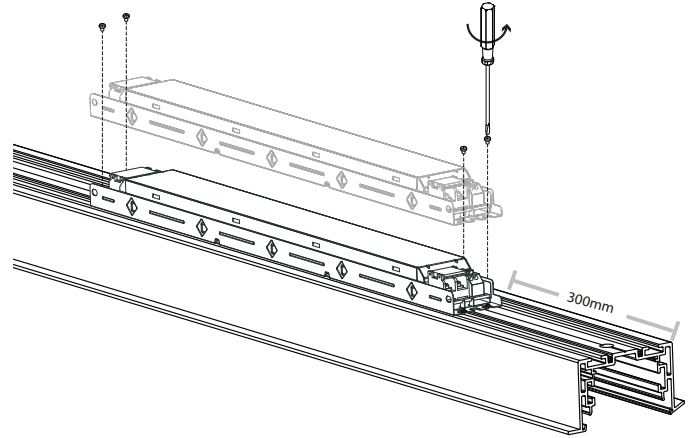
3 MAKE A SLOT THE SAME SIZE AS THE PROFILE ON THE CEILING TO ACCOMMODATE CHANNEL



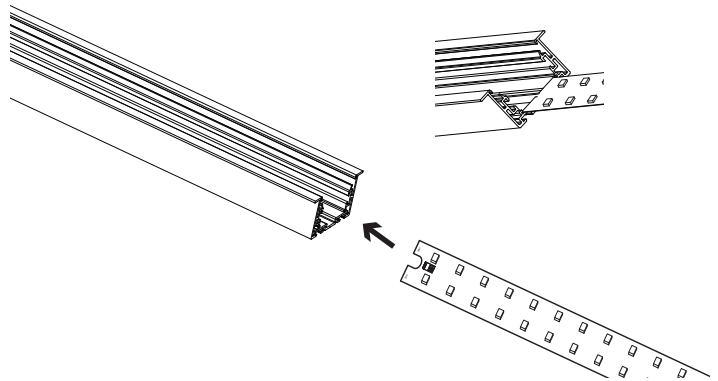


WARNING: RISK OF ELECTRIC SHOCK. TURN OFF MAIN POWER BEFORE INSTALLATION, ENSURE HANDS ARE DRY, AND NEVER TOUCH EXPOSED WIRES.

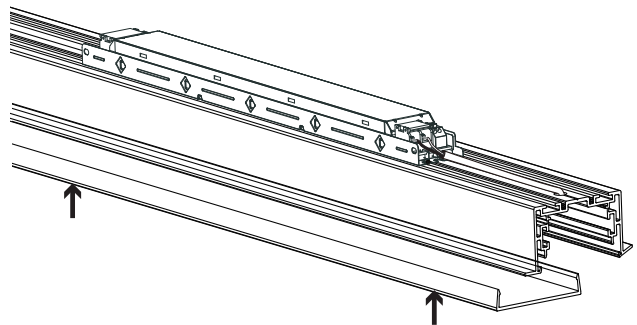
4 MOUNT POWER SUPPLY ONTO PROFILE.



5 INSTALL LINEAR TAPE LIGHT



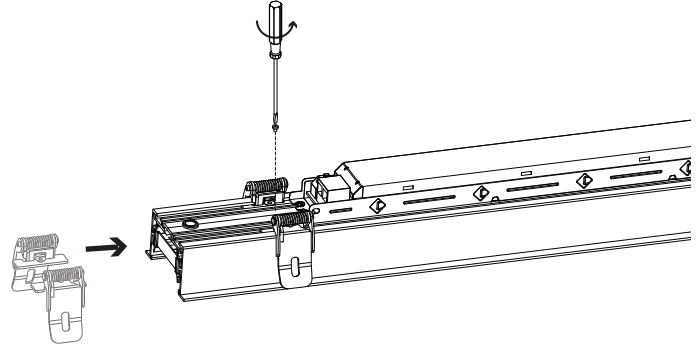
6 INSTALL DIFFUSER ONTO PROFILE



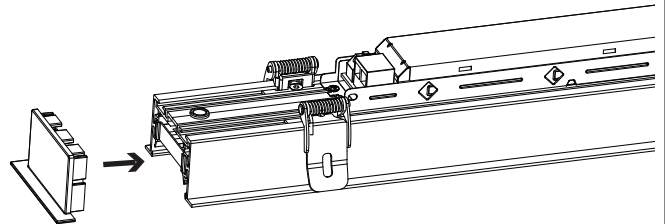


WARNING: RISK OF ELECTRIC SHOCK. TURN OFF MAIN POWER BEFORE INSTALLATION, ENSURE HANDS ARE DRY, AND NEVER TOUCH EXPOSED WIRES.

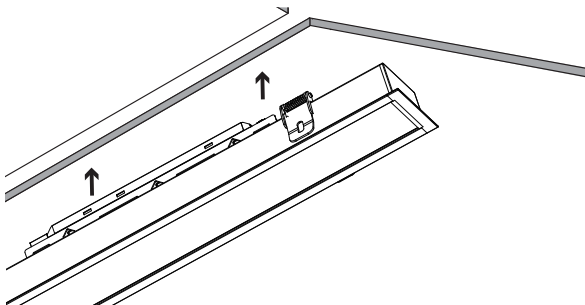
- 7 SLIDE BUTTERFLY CLAMP ONTO PROFILE AND THEN FIX IT INTO PLACE.



- 8 INSTALL END CAP



- 9 CONNECT POWER SUPPLY TO WIRE IN CEILING THEN INSTALL PROFILE INTO SLOT.



- 10 FINISHED

