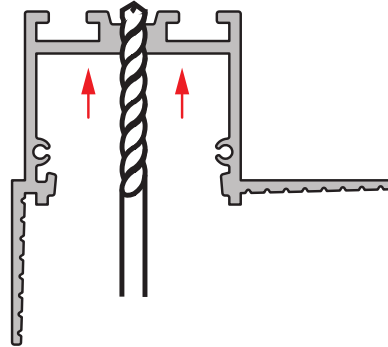
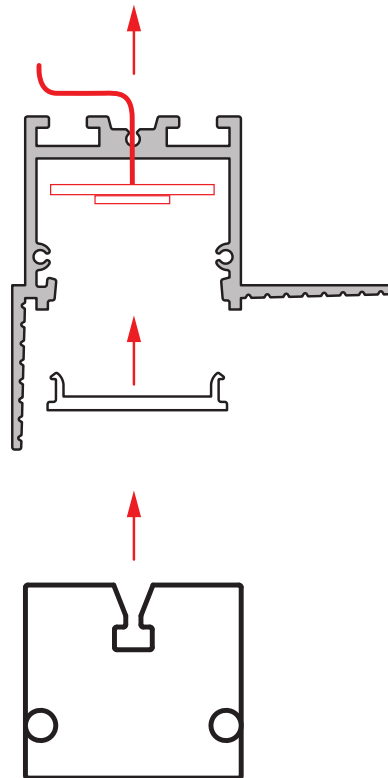


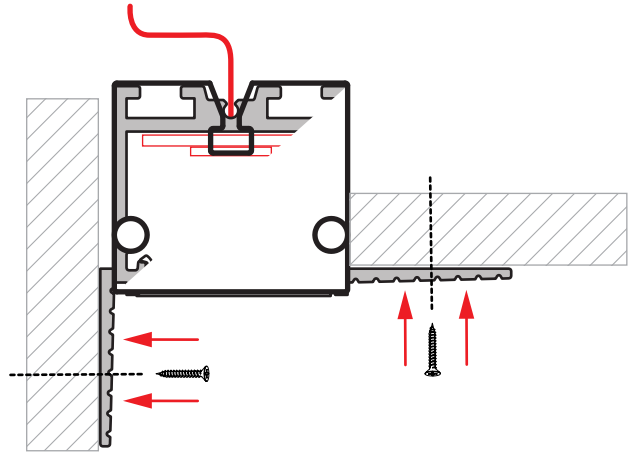
- 1 Drill a hole in the 12100-10-PR profile to accommodate the power feed cable.



- 2 Mount LED Strip onto the profile, lead the power feed cable out carefully onto the hole you previously drilled, then attach the end caps. Screw the end caps securely to fasten it into place.

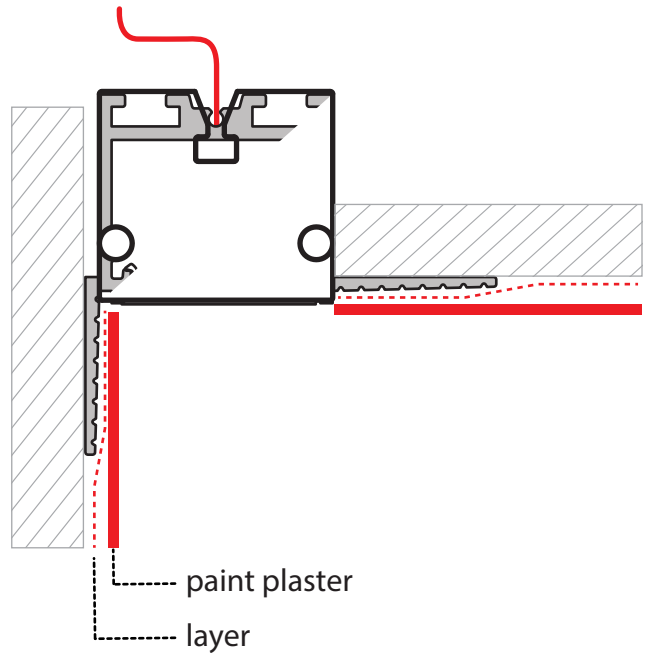


- 3 Attach the fixture to the installation surface by securing it onto place with screws. Make sure to use the appropriate screws designed for metal.

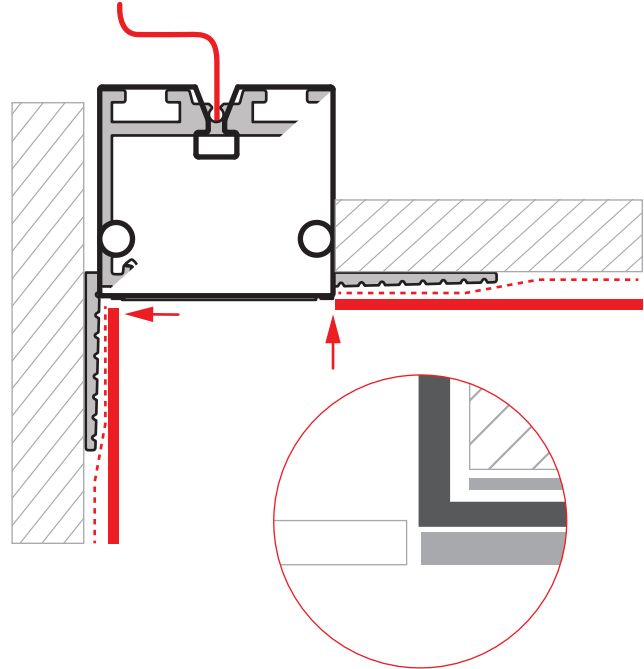


- 4 Apply a layer of plaster over the flanges and onto the wall to cover the flanges and create an even surface.

Do this for both sides attaching to the wall. Once dry, apply paint to finish the surface.



- 5 Using a sharp-edged tool, gently remove excess material in between the profile and the lens. Do this on both sides to remove the layer of plaster and paint.



- 6 Done.

