

INSTALLATION INSTRUCTIONS

WARNING:



RISK OF FIRE AND ELECTRICAL SHOCK. FIXTURE MUST BE INSTALLED BY A QUALIFIED ELECTRICIAN ONLY IN ACCORDANCE WITH NATIONAL, LOCAL BUILDING AND ELECTRICAL CODES. DISCONNECT POWER AT ELECTRICAL PANEL BEFORE SERVICING.

⚠ PLEASE READ ALL INSTRUCTIONS BEFORE ATTEMPTING INSTALLATION

- Installation, inspection, and maintenance must be performed by a qualified electrician in accordance with the National Electrical Code (NEC) and all applicable local regulations.
- The installer must be familiar with the fixture's construction, operation, and associated safety risks.
- This fixture is intended for outdoor use only. Do not install in confined spaces or areas with high ambient temperatures or inadequate ventilation.
- Always disconnect electrical power at the circuit breaker before inspection, installation, or removal. Turning off power via a wall switch is not sufficient to prevent electrical shock.
- Allow the fixture to cool before handling or performing any maintenance.



Prepare Electrical Wiring



Electrical Requirements:

Before installation, verify that the local voltage matches the fixture's rated operating voltage. Use only UL (or other NRTL) listed conductors rated for at least 75°C, with a minimum wire size of 18 AWG.



Grounding Instructions:

Grounding and bonding must comply with NEC Article 600 and all applicable local codes. Connect the fixture to a dedicated, grounded branch circuit protected by a properly rated circuit breaker.



Safety Precautions:

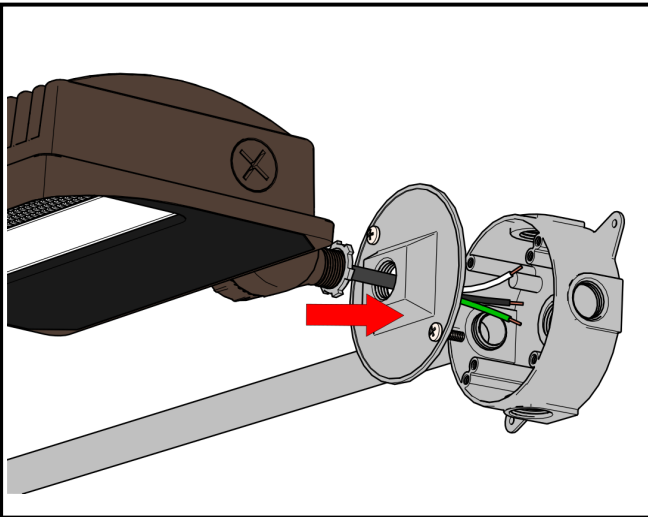
Always follow approved safety protocols. During installation, operation, and maintenance, use appropriate Personal Protective Equipment (PPE), including hard hats, safety glasses, reflective vests, electrical-rated gloves, fall protection, and safety toe boots.

Before starting:

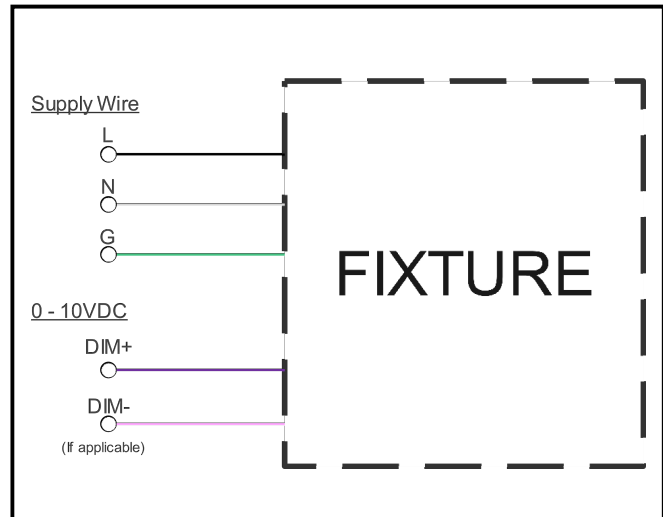
Ensure that the supply power is shut off. Unpack the fixture and ensure that there are no damaged or missing parts.



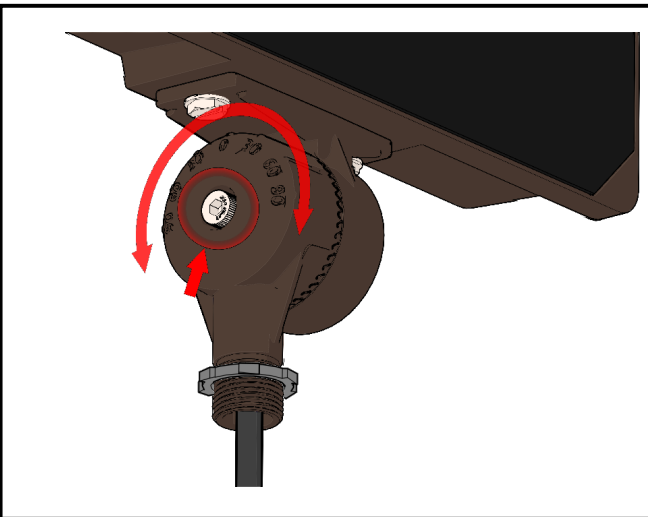
Knuckle Mount Installation



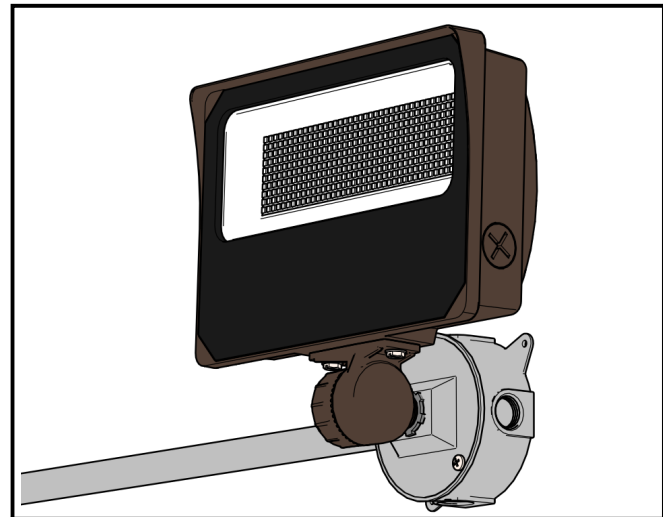
Step 1: Feed the power cord into the junction box or conduit. If j-box mounted, insert the threaded portion of the knuckle into the desired knock-out on the junction box. Secure it with the locknut.



Step 2: Make the wiring connections according to the diagram on Page 6. If dimming is not required, make sure the dimming leads are capped.

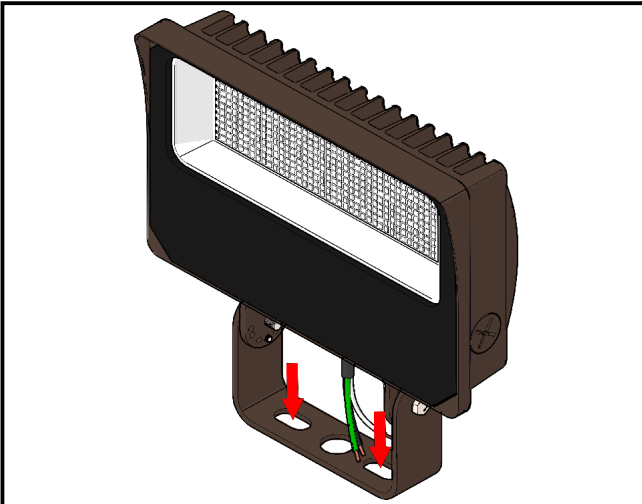


Step 3: To aim the fixture, use a hex key to loosen the machine screw. Move the fixture head to the appropriate position and tighten the screw to lock it in position.

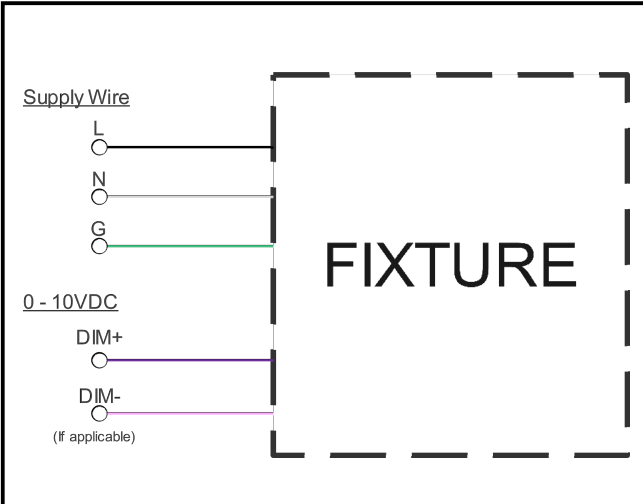


Step 4: Restore power and check that the fixture is working properly.

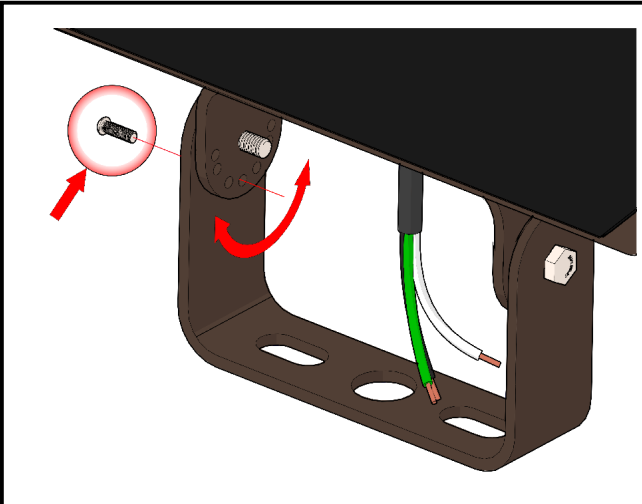
Trunnion Mount Installation



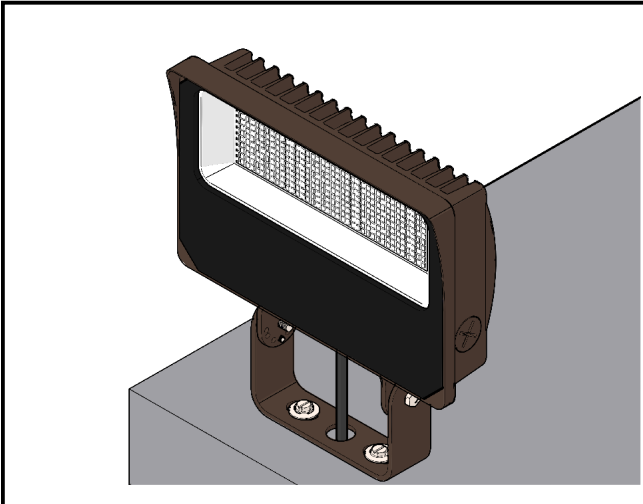
Step 1: Mount the fixture to the desired surface using the appropriate hardware (provided by others). Feed the power cable to a junction box or other wiring compartment.



Step 2: Make the wiring connections according to the diagram on Page 6. If dimming is not required, make sure the dimming leads are capped.

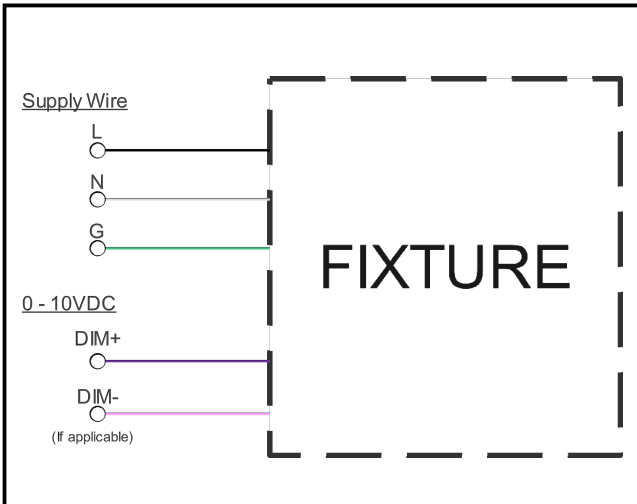


Step 3: To aim the fixture, use a screwdriver to loosen the machine screw. Move the fixture head to the appropriate position and tighten the screw in one of the threaded slots to lock it in position .

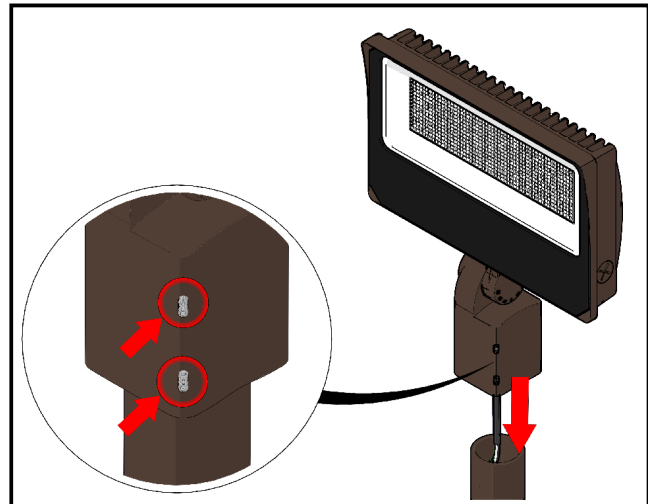


Step 4: Restore power and check that the fixture is working properly.

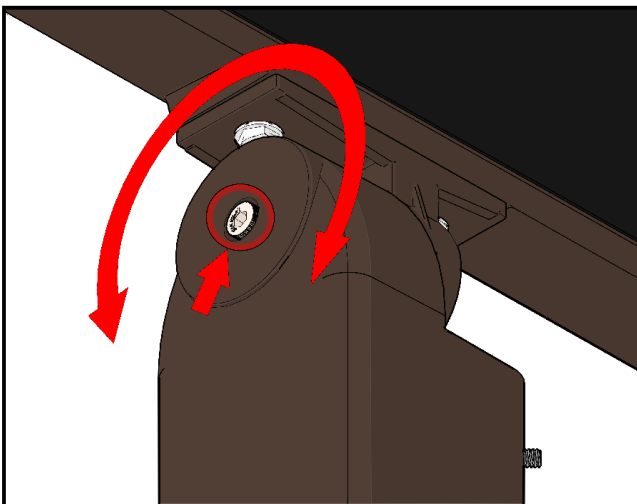
Slipfitter Mount Installation



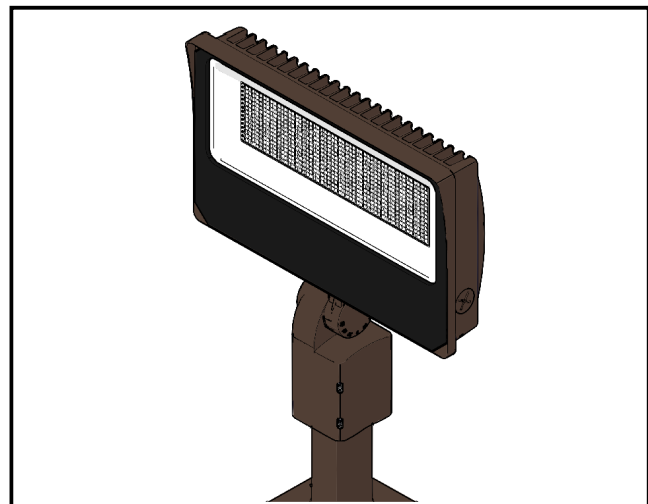
Step 1: Make the wiring connections according to the diagram on Page 6. If dimming is not required, make sure the dimming leads are capped.



Step 2: Slide the slipfitter onto the tenon or pole taking care to ensure that no wires are pinched. Tighten the set screws securely to lock the slipfitter onto the tenon or pole.



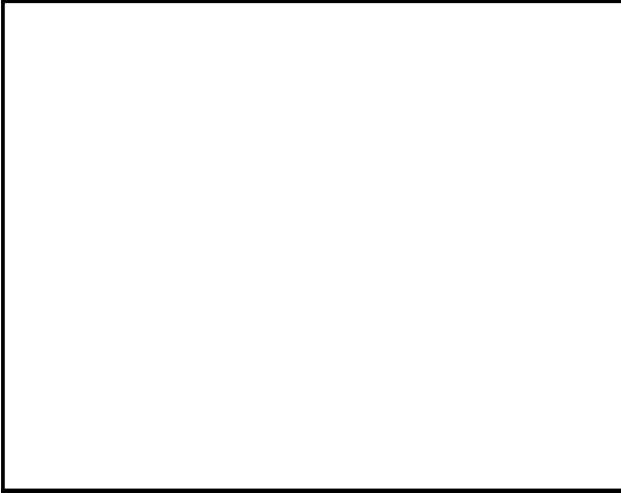
Step 3: To aim the fixture, use a hex key to loosen the machine screw on the slipfitter. Move the fixture head to the appropriate position and tighten the screw to lock it in position.



Step 4: Restore power and check that the fixture is working properly.

Accessing the CCT/Wattage Selector

Accessing the Photocontrol



Step 1: Remove the conduit plug as shown and set to the desired wattage/CCT.
NOTE: Replace the conduit plug securely to avoid water entry into the fixture.



Step 1: Unscrew the photocontrol and carefully adjust the switch on the back side to enable or disable the photocontrol. Take extreme care not to pinch or disconnect the photocontrol wires.
NOTE: Replace the conduit plug securely to avoid water entry into the fixture.

3/4" ~ 3/4" A W " Ü Ü § 3/4 ; Ö

For CCT tuning adjust the three (3) position slide switch for desired CCT

For Wattage tuning, adjust the three (3) position slide switch for desired wattage:



Trunnion Mount Installation