

Project Name: \_\_\_\_\_ Type: \_\_\_\_\_ Quantity: \_\_\_\_\_

Alcon Lighting 11410 CCT and Wattage-Selectable Outdoor LED Lamp Post Light

### INTENDED USE

Alcon's Architectural LED Post Top Light Fixture is designed to work in building perimeter areas and public spaces to compliment a wide variety of architectural styles. LED Area Lights provide high light efficiency with varying light distributions. Outdoor Post Lights create a nostalgic atmosphere and are best applied in parking lots, plazas, shopping malls, gardens, roadways, and areas with pedestrian activity.

### FEATURES

- Construction:** Aluminum light fixture with integrated Photocell
- Wattage:** 4 Wattage Selectable Switch (100%/80%/60%/40%)
- Color Temperature:** 30/40/50K selectable switch
- CRI:** 80+
- Voltage:** 120-347V
- Dimming Driver:** 0-10V, down to 10%
- Operating Temperature:** -40°F - + 104°F
- Life:** 100,000 Hours based on IES LM-80 results and TM-21 calculations
- Power Factor:** >0.9, THD <20%.
- Listings:** cULus, Suitable for Wet Location
- Warranty:** 5 Years Carefree for Parts & Components (Labor Not Included)

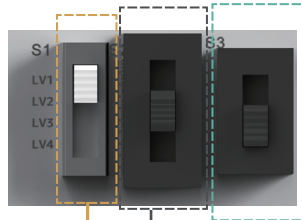
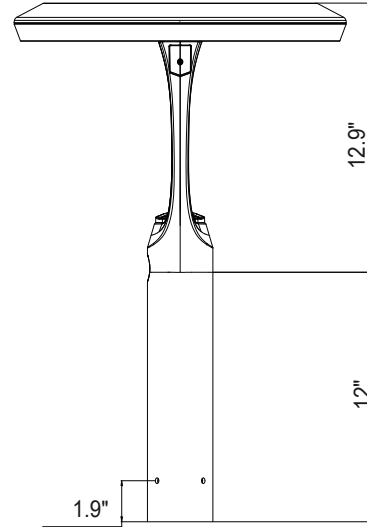
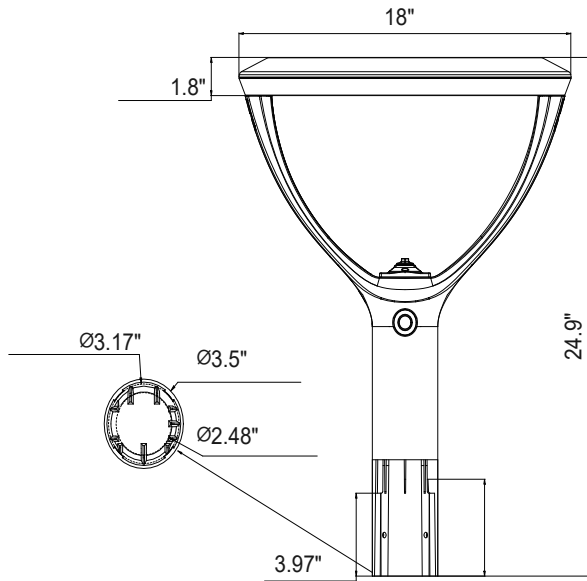


### ORDERING INFORMATION Example:

Model	Wattage	Finish	Lens	Pole Mount Accessories	Options
11410	90W 90 Watts	BZ <sup>Std</sup> Bronze	FL <sup>Std</sup> Frosted	Blank Not Required	PHC 3-Pin Receptacle and Twist Lock Photocell Installed
	130W 130 Watts	BK Black	PACL Prismatic	RP4 4" Round, 2-3/8" O.D.	MS Motion Sensor
	160W 160 Watts	WH White		RP5 5" Round, 2-3/8" O.D. SP4 4" Square, 2-3/8" O.D. SP5 5" Square, 2-3/8" O.D.	

<sup>1</sup> If no sensor is chosen, the SC (Shorting Cap) should be selected.  
<sup>2</sup> Configured with a 5-minute hold time and a 30-minute standby period at 30% dim level.

## DIMENSIONS



**LIGHT DISTRIBUTION SELECT**

Three light distribution field selectable:  
Type III, Type IV, and Type V

**WATTAGE SELECT**

Each model supports 4 positions  
wattage regulation:  
100%, 80%, 60%, 40%

**CCT SELECT**

Offer three CCT Selectable:  
3000K, 4000K, 5000K

## LENS OPTIONS



Frosted



Prismatic

## PHOTOCELL

Accurately differentiates between luminaire light and natural sunlight using micro far-infrared sensors, creating more adaptable and efficient lighting conditions.

Enable



Disable



## PERFORMANCE DATA

11410 90W								
Distribution	SETTING	SYSTEM WATTS	3000K		4000K		5000K	
			LUMENS	LPW	LUMENS	LPW	LUMENS	LPW
General	LV1	90W	10500lm	117lm/W	11500lm	128lm/W	11000lm	122lm/W
	LV2	72W	9000lm	125lm/W	9500lm	132lm/W	9300lm	129lm/W
	LV3	54W	7000lm	130lm/W	8200lm	152lm/W	7600lm	141lm/W
	LV4	36W	5000lm	139lm/W	5800lm	161lm/W	5500lm	153lm/W

11410 130W								
Distribution	SETTING	SYSTEM WATTS	3000K		4000K		5000K	
			LUMENS	LPW	LUMENS	LPW	LUMENS	LPW
General	LV1	130W	15500lm	119lm/W	16500lm	127lm/W	16000lm	123lm/W
	LV2	104W	12800lm	123lm/W	13500lm	130lm/W	13200lm	127lm/W
	LV3	78W	10500lm	135lm/W	11000lm	141lm/W	10800lm	138lm/W
	LV4	52W	7200lm	138lm/W	7600lm	146lm/W	7400lm	142lm/W

11410 160W								
Distribution	SETTING	SYSTEM WATTS	3000K		4000K		5000K	
			LUMENS	LPW	LUMENS	LPW	LUMENS	LPW
General	LV1	160W	18500lm	116lm/W	19200lm	120lm/W	18800lm	118lm/W
	LV2	128W	15500lm	121lm/W	16500lm	129lm/W	16000lm	125lm/W
	LV3	96W	12000lm	125lm/W	13000lm	135lm/W	12500lm	130lm/W
	LV4	64W	8300lm	130lm/W	9500lm	148lm/W	8900lm	139lm/W

## ELECTRICAL DATA

Number Of Drivers	Driver Current (mA)	Nominal Power (W)	INPUT VOLTAGE (V)	CURRENT (Amps)
1	600	90	120	0.75
		90	208	0.43
		90	240	0.38
		90	277	0.32
		90	347	0.26
		90	480	0.19
1	600	130	120	1.08
		130	208	0.63
		130	240	0.54
		130	277	0.47
		130	347	0.37
		130	480	0.27
1	800	160	120	1.33
		160	208	0.77
		160	240	0.67
		160	277	0.58
		160	347	0.46
		160	480	0.33
1	1000	200	120	1.67
		200	208	0.96
		200	240	0.83
		200	277	0.72
		200	347	0.58
		200	480	0.42

## POLE MOUNT ACCESSORIES

POLE BRACKET • For mounting one fixture on an existing pole			
	<p><b>SP4</b> 4" Square Pole Mount with 2-3/8" O.D. Tenon No. 4SQ-SP-D Finish: Dark Bronze USE: For use with square, non-tapered steel and aluminum poles. Furnished with four 5/16" hex head stainless-steel bolts. Vertical tenon measures 2-3/8" O.D., and is made of steel tubing. Fixtures mounted to this bracket can be adjusted both vertically and horizontally.</p>		<p><b>RP4</b> 4" Round Pole Mount with 2-3/8" O.D. Tenon No. 4SQR-SP-D Finish: Dark Bronze USE: For use with Round, non-tapered steel and aluminum poles. Furnished with three 3/8" hex head stainless-steel bolts. Vertical tenon measures 2-3/8" O.D., and is made of steel tubing. Fixtures mounted to this bracket can be adjusted both vertically and horizontally.</p>
	<p><b>SP5</b> 5" Square Pole Mount with 2-3/8" O.D. Tenon No. 5SQ-SP-D Finish: Dark Bronze USE: For use with square, non-tapered steel and aluminum poles. Furnished with four 5/16" hex head stainless-steel bolts. Vertical tenon measures 2-3/8" O.D., and is made of steel tubing. Fixtures mounted to this bracket can be adjusted both vertically and horizontally.</p>		<p><b>RP5</b> 5" Round Pole Mount with 2-3/8" O.D. Tenon No. 5SQR-SP-D Finish: Dark Bronze USE: For use with Round, non-tapered steel and aluminum poles. Furnished with three 3/8" hex head stainless-steel bolts. Vertical tenon measures 2-3/8" O.D., and is made of steel tubing. Fixtures mounted to this bracket can be adjusted both vertically and horizontally.</p>

## COLOR TEMPERATURE GUIDE

<b>2700K</b>	<b>3000K</b>	<b>3500K</b>	<b>4000K</b>	<b>5000K</b>
WARM WHITE	SOFT WHITE GLOW	NEUTRAL GLOW	COOL WHITE GLOW	DAYLIGHT GLOW
friendly personal intimate	soft warm pleasing	sociable inviting non-threatening	neat clean efficient	bright cool alert
HOMES LIBRARIES RESTAURANTS	HOMES HOTEL ROOMS LOBBIES RETAIL STORES	EXECUTIVE OFFICES RECEPTION AREAS SUPERMARKETS	OFFICES CLASSROOMS MASS MERCHANDISERS SHOWROOMS	GRAPHICS INDUSTRY HOSPITALS GALLERIES BEAUTY SALONS
<b>X</b>	<b>✓</b>	<b>X</b>	<b>✓</b>	<b>✓</b>