

Project Name: _____ Type: _____ Quantity: _____

INTENDED USE

The Specification grade Alcon Lighting 11248 Turtle Friendly Architectural LED Commercial Retrofit Downlight Fixture is the ideal solution for Turtle Friendly applications where quality LED lighting is desired.

FEATURES

- Finish:** Black
- Color Temperature:** 590 nm Amber
- Voltage:** 120V or 120V/277V
- Dimming Driver:**
 - Non-dimmable (120V) Standard
 - Universal (Triac / ELV / 0-10V) (120V/277V)
 - Optional **Power Factor:** > 0.90
- Operating Temperature:** -4°F to +131°F (-20°C to +50°C)
- Mounting:** Uses existing frame-in-kits. Mounting method via clips or heavy duty tension springs (Optional).
- Listings:** cETLus listed to UL1598 and UL8750. Suitable for dry, damp, and wet locations. NYC approved: Calendar #41937. Assembled in USA. CA Title 24 **Warranty:** 5 Years carefree for parts & components (Labor not included)



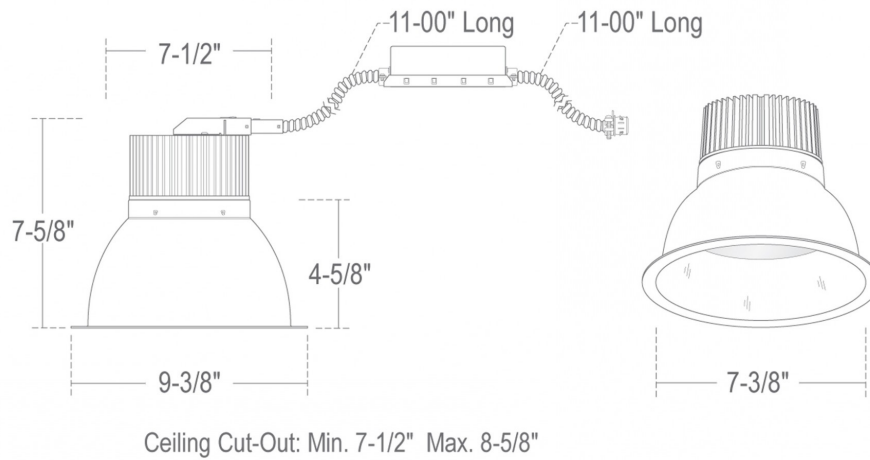
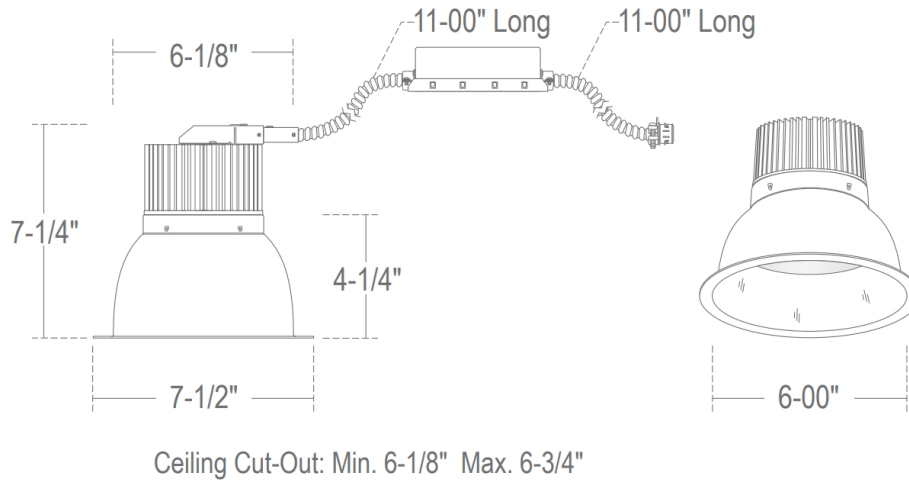
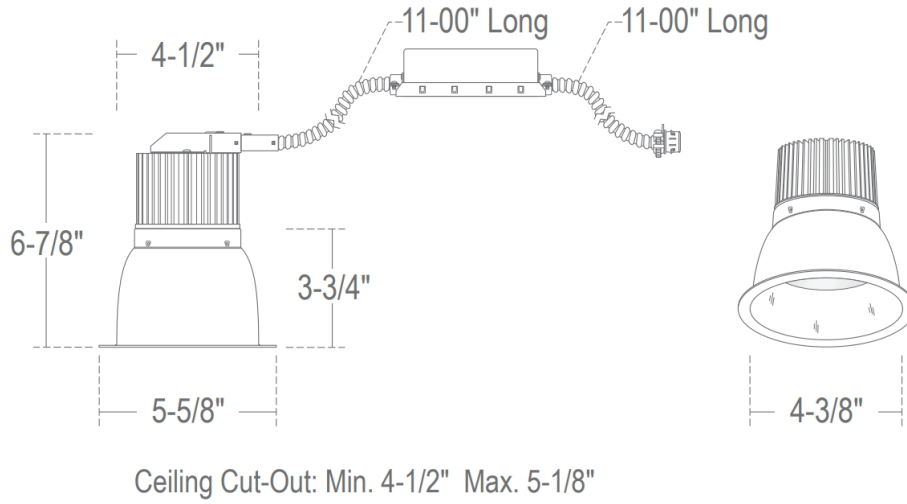
ORDERING INFORMATION Example:

Model	Size	Wattage Lumens	Housing	Driver	Options
11248	4ND 4-Inch	10W 10W 200 lm	RM ¹ Remodel Non-IC RMIC ² Remodel IC-Rated	ND ^{Std.} Non-Dimming (120V) UD Universal (120V / 277V)	HDS Heavy Duty Tension Springs JB Junction Box XEM10 10 Watt Emergency Battery (External) VSH Vandal Resistant Kit WW Wall Wash Accessory
		15W 15W 300 lm			
		22W 22W 400 lm			
	6ND 6-Inch	10W 10W 300 lm			
		15W 15W 400 lm			
		22W 22W 500 lm			
	8ND 8-Inch	10W 10W 300 lm			
		15W 15W 500 lm			
		22W 22W 600 lm			

¹ Non IC rated, must be kept 3" from insulation
² Not available in 22W

Alcon Lighting 11248 Turtle Friendly Architectural LED Commercial Retrofit Downlight Fixture

DIMENSIONS



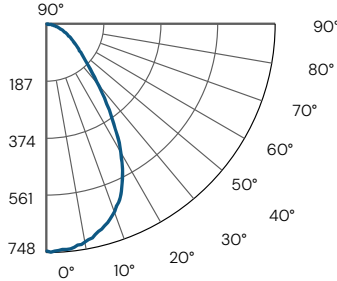
PHOTOMETRICS

11248-4ND-10W - 1000lm - 4000K

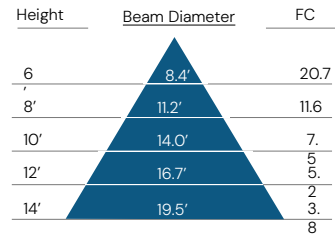
System Power	:10.4W
Test Date	:2/2018
Beam Angle 50%	:69.8°
Field Angle 10%	:127.4°
Color Temperature	:4000K
CRI	:80
R9 Value	:68
Lumens Delivered	:1127lm
CBCP	:745cd
Power Factor	>0.90

Multipliers	
Lumens	
1800LM	1.72
1700LM	1.52
1000LM	1.00
CCT	
4000K	1.00
3500K	0.99
3000K	0.97

CANDELA TABULATION



FOOTCANDLE DISTRIBUTION

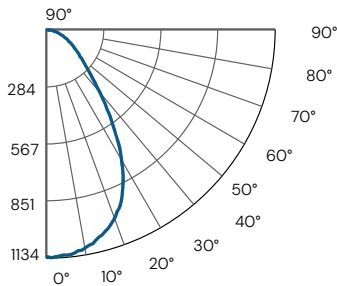


11248-4ND-15W - 1700lm - 4000K

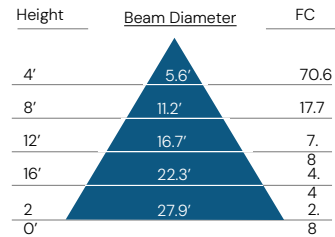
System Power	:17.5W
Test Date	:2/2018
Beam Angle 50%	:69.8°
Field Angle 10%	:127.4°
Color Temperature	:4000K
CRI	:80
R9 Value	:68
Lumens Delivered	:1709lm
CBCP	:1130cd
Power Factor	>0.90

Multipliers	
Lumens	
1800LM	1.14
1700LM	1.00
1000LM	0.66
CCT	
4000K	1.00
3500K	0.99
3000K	0.97

CANDELA TABULATION



FOOTCANDLE DISTRIBUTION

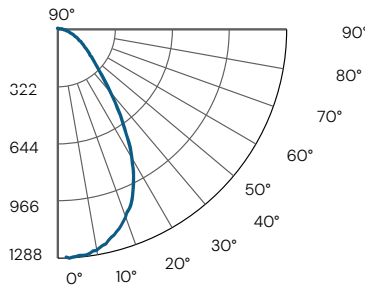


11248-4ND-30W - 2000lm - 4000K

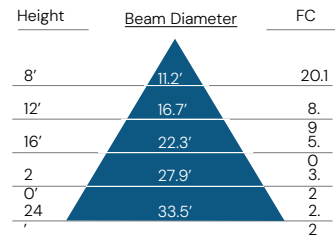
System Power	:30.6W
Test Date	:12/2015
Beam Angle 50%	:69.8°
Field Angle 10%	:127.3°
Color Temperature	:4000K
CRI	:80
R9 Value	:68
Lumens Delivered	:1942lm
CBCP	:1284cd
Power Factor	>0.90

Multipliers	
Lumens	
1800LM	1.00
1700LM	0.88
1000LM	0.58
CCT	
4000K	1.00
3500K	0.99
3000K	0.97

CANDELA TABULATION



FOOTCANDLE DISTRIBUTION

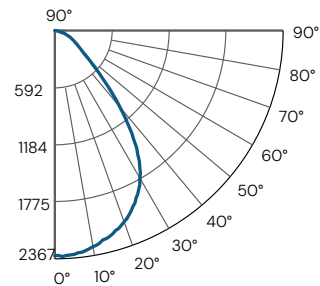


11248-6ND-50W - 3800lm - 4000K

System Power	:51.3W
Test Date	:2/2018
Beam Angle 50%	:77.9°
Field Angle 10%	:123.7°
Color Temperature	:4000K
CRI	:80
R9 Value	:68
Lumens Delivered	:3865lm
CBCP	:2366cd
Power Factor	>0.90

Multipliers	
Lumens	
3800LM	1.00
2300LM	0.62
1500LM	0.39
1000LM	0.24
CCT	
4000K	1.00
3500K	0.99
3000K	0.97

CANDELA TABULATION



FOOTCANDLE DISTRIBUTION

