

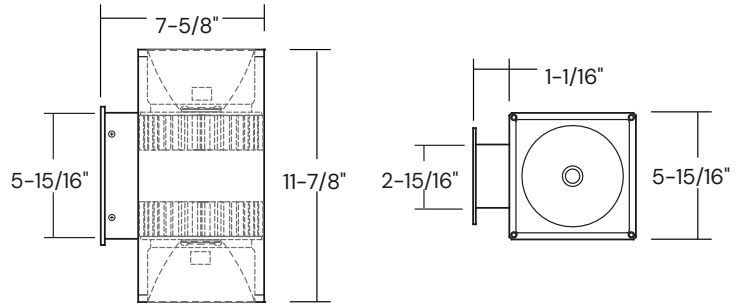
Project Name: _____ Type: _____ Quantity: _____

INTENDED USE

The Pavo 6-Inch LED Wall Mount is a versatile, low-glare architectural lighting fixture designed for both indoor and outdoor use. Ideal for commercial and retail environments, it features dual reflectors that provide both direct and indirect illumination. This 2-directional light enhances architectural details, creates dramatic effects, and delivers high-quality lighting performance.

FEATURES

- Construction:** Features a square, one-piece, high-grade aluminum extrusion with a die-cast aluminum top plate. Tamper-resistant.
 - Light Engine:** LED chip-on-board.
 - Lens:** Round, one-piece extruded aluminum with a powder-coat finish, clear, tempered glass, and a silicone O-ring.
 - Reflector:** Glare-free, one-piece, heavy-gauge aluminum.
 - Mounting:** Includes a bracket for direct installation to a 4-inch octagonal electrical junction box.
 - Voltage:** 120V (120-277V available for dimming).
 - CRI:** 84+
 - Dimming:** Standard non-dimming. An optional universal dimming system is available, compatible with most 3-wire ELV, 2-wire incandescent, and 5-wire 0-10V fluorescent dimmers.
 - Lifespan:** L70 rated at 50,000 hours.
 - Emergency:** 90 minutes minimum. Includes a remote test switch, plate cover, and junction box.
 - Listing:** cETLus, cULus, Title 24, IP65, suitable for wet locations.
 - Warranty:** 5-year warranty on parts and components (labor not included).
- Note: Surge protection is strongly recommended on power supply lines. Do not install in environments where the ambient temperature exceeds 60°C, as this will reduce lamp life and void the warranty.



Ordering code example: [11221-DI-10L-B60-B60-ND-40K-WH-XEM25](#)

Model	Lumen Output	Beam Spread (Down)	Beam Spread (Up)	Dimming	Color Temp	Finish	Options
11221-DI	10L 2 x 1000 lms 20W	B60 60° Wide Flood	B60 60° Wide Flood	ND Non-Dimming (120V)	17K¹ 1700K 20K¹ 2000K	WH White BK Black BZ¹ Bronze SL¹ Silver	XEM25 25 Watt Emergency Battery (External) PHC Photocell Daylight Sensor
	15L 2 x 1500 lms 30W	B2¹ 2° Narrow	B2¹ 2° Narrow	UD Universal (Triac / ELV / 0-10V) (120-277)	27K 2700K 30K 3000K		
	22L 2 x 2200 lms 45W	B10¹ 10° Narrow	B10¹ 10° Narrow		35K 3500K 40K 4000K		
	26L 2 x 2600 lms 60W	B20¹ 20° Narrow	B20¹ 20° Narrow		50K 5000K 56K¹ 5600K		
		B45 45° Flood	B45 45° Flood		2797¹ 2700K (97 CRI) 3097¹ 3000K (97 CRI)		
		WW Wall Wash	WW Wall Wash				
		BIV Type IV (forward throw)	BIV Type IV (forward throw)				

¹Special Order. Minimum lead time may apply. Minimum Order Required (25).