

11220 & 11221 INSTALLATION INSTRUCTIONS



DANGER:

- Always disconnect power before wiring or performing maintenance.
- The fixture must be installed by a qualified electrician.
- Do not install in areas where water collects or stands for prolonged periods.
- Install in accordance with all local and national electrical codes, rules, and regulations.
- The fixture must be connected to a circuit protected by a Ground Fault Circuit Interrupter (GFCI).



WARNING:

- The joint must be sealed between the mounting surface (e.g., wall, ground, ceiling) and the fixture using an appropriate sealing or caulking compound to ensure a watertight seal.
- Seal all conduit openings and any other entry points to prevent water intrusion.
- Before servicing, ensure the fixture is cool to the touch.
- Ensure all gaskets and sealing surfaces are clean and free of dirt or debris.

LED INSTALLATION GUIDELINES:

LED fixtures, drivers, and components are more electrically sensitive than traditional lighting systems (e.g., incandescent, compact fluorescent, HID). Follow these guidelines to ensure proper performance and safety:

1. Use dedicated circuits for LED fixtures/drivers.
 - a. Do not mix with non-LED products (e.g., incandescent, CFL, HID).
2. Only use accessories (e.g., surge protectors, photocells) that are rated for LED compatibility.
3. Install GFCIs (provided by others) as required by the installation and safety codes.
4. Use remote surge protectors if fixtures are not equipped with built-in protection.
 - a. Install directly on the same circuit, with no devices between the surge protector and LED components.
5. Inspect surge protectors regularly to ensure they are functioning properly.

11220 & 11221 INSTALLATION INSTRUCTIONS

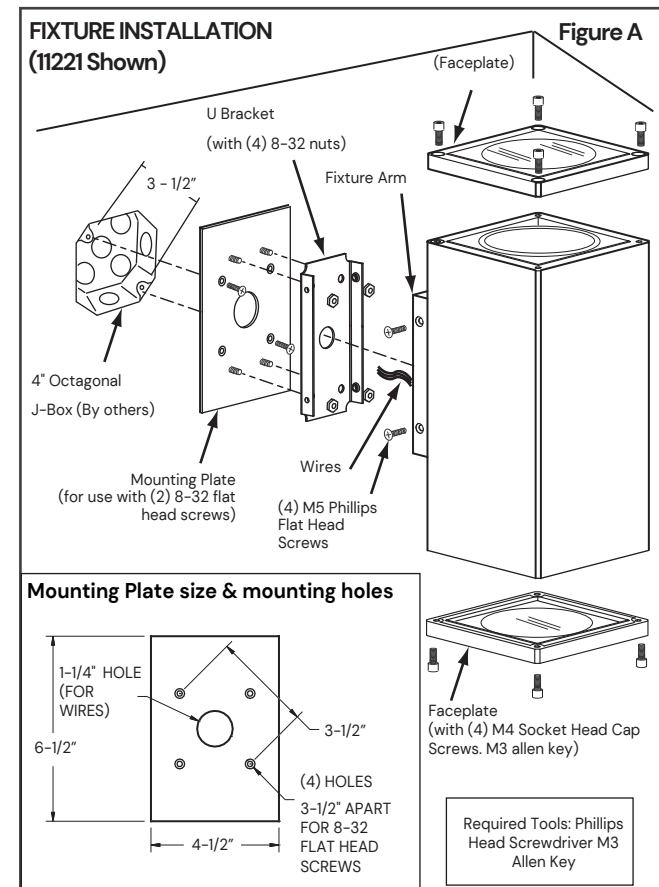
FIXTURE INSTALLATION INSTRUCTIONS:

1. Ensure supply wiring is in place before mounting the fixture.
2. Install the mounting plate directly to a 4" octagonal junction box. Confirm that the mounting surface and/or j-box can support the fixture before installation.
3. Remove the U-bracket and mounting plate from the arm to expose the mounting holes in the plate (see Figure A).
4. Mount the plate to the 4" octagonal junction box (provided by others) using the supplied 8-32 flat-head screws (see Figure A). Tighten securely.
 - a. If new holes must be drilled in the mounting plate to accommodate a different junction box or to mount directly to a surface, ensure that any added hardware (provided by others) does not interfere with the U-bracket or prevent the arm from mounting flat or flush to the plate.
 - b. Cover any exposed metal on the mounting plate with outdoor-grade paint suitable for the application, to protect it from the elements.
5. Attach the U-bracket to the mounting plate using the four (4) supplied 8-32 nuts. Tighten securely.
6. Connect the supply wiring to the fixture. Refer to the "Wiring Fixture" instructions below.
7. Secure the fixture arm to the U-bracket using four (4) supplied M5 flat-head screws. Tighten securely.
8. Seal all holes and openings to prevent water ingress, including:
 - a. Between the mounting plate and the mounting surface
 - b. Between the mounting plate and the arm
 - c. Around the junction box and wiring

WIRING FIXTURE:

WARNING: Confirm the fixture's input voltage before connecting power.

1. Connect the ground wire (green or bare copper/aluminum) from the supply circuit to the ground wire, ground screw, or ground connector on the luminaire.
2. Connect the neutral (common) wire from the power supply to the neutral wire on the luminaire.
3. Connect the line (hot) wire (also called lead or main voltage supply wire) from the power supply to the line (lead) wire on the luminaire.
4. Secure all connections using UL-listed wire nuts or connectors. Where required, wrap the connections with UL-listed electrical tape (provided by others) appropriate for the application.
5. For dimming connections, refer to the manufacturer's website at Liton's official website for instructions.



11220 & 11221 INSTALLATION INSTRUCTIONS

TIGHTENING THE REFLECTOR (WIDE FLOOD REFLECTOR ONLY)

(See FIGURE B):

1. If the reflector is loose, remove the faceplate from the fixture by unscrewing the four (4) screws (see FIGURE A) using an M3 Allen key.
2. Ensure the reflector is seated flat on the LED holder. If misaligned, align the notch on the reflector with the slot on the LED holder, then gently press the reflector into place.
3. Gently rotate the reflector to the right (just under 1/8 turn) until it feels snug.
△ Do not overtighten.
4. Reattach the faceplate to the fixture using the four (4) screws. Tighten the screws securely to prevent water ingress.
△ Do not overtighten the screws.

