



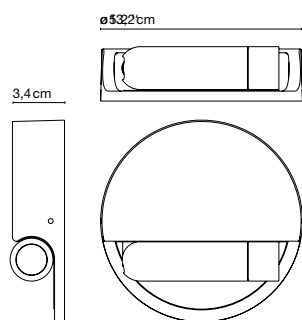
Ledtube R

Daniel López

marset



Ledtube R



Ledtube R

LED 3W 700mA 3000K 150lm
(included)

Injected aluminium structure and a frontal piece of transparent polycarbonate. Incorporated press button to switch on or off when opening or closing the wall lamp.

- Aluminium
- White
- Black

- [Download](#) Assembly Instructions
- [Download](#) 2D
- [Download](#) 3D
- [Download](#) Energy label

Range



info@marset.com
www.marset.com

The orientable wall lamp is easy to use as the light comes on automatically when the Ledtube is opened out, and goes off when it is closed.