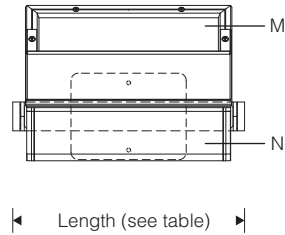
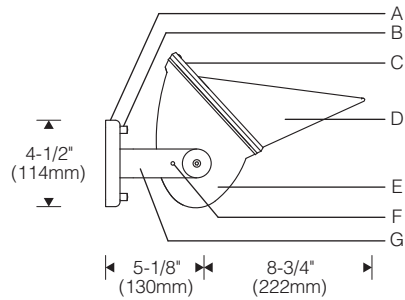
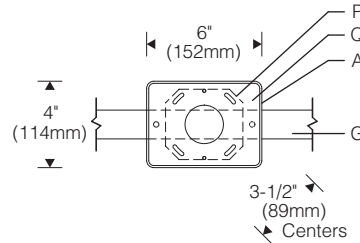


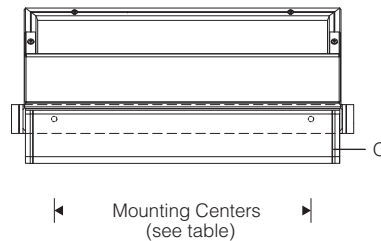
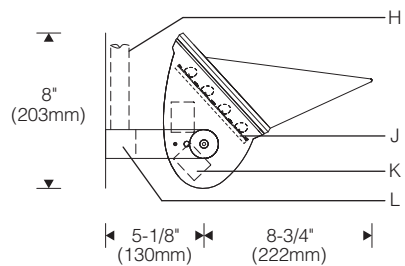
Z Mount 1:10 Scale



Mounting Plate (Z mount)

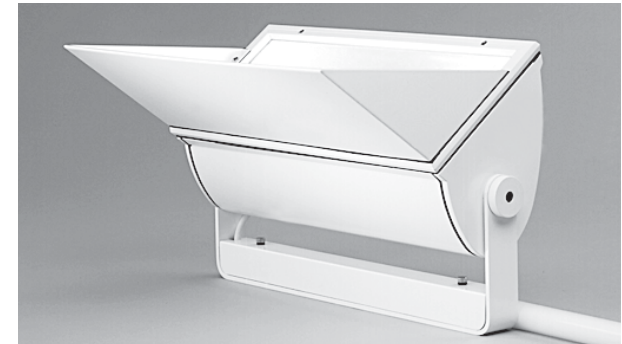
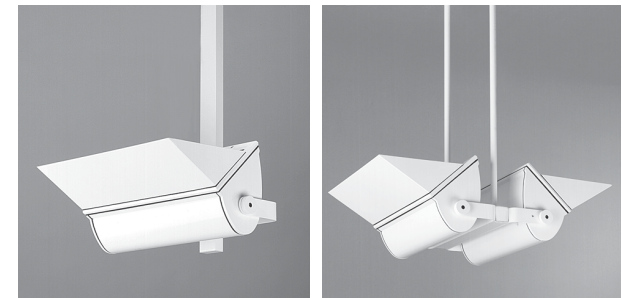


Y Mount 1:10 Scale



# of LEDs	Length	Mounting*
36	12-1/16*** (306mm)	8-7/8*** (225mm)
72	17-13/16" (452mm)	14-5/8" (370mm)
108	24-7/8*** (632mm)	21-11/16*** (550mm)

*Mounting dimensions shown for Y mount only.
 **For mounting codes 1, 2, 3, 4:
 Length = 17-13/16"



Specifications

- A** Aluminum canopy (Z mount)
- B** Chrome cap nuts
- C** Mitred extruded aluminum door frame w/ silicone gasket
- D** Solid cutoff visor (included)
- E** Die-cast end plates with aiming marks
- F** Locking set screw
- G** Aluminum yoke
- H** Conduit (by others)
- J** Field serviceable light engine with **fraqtir™** asymmetric optic
- K** Integral drivers
- L** Integral splice compartment with conduit entry and removable cover (Y mount)
- M** Micro-prismatic tempered glass lens
- N** Extruded aluminum housing
- O** Aluminum reveal plate (black)
- P** Outlet box (by others)
- Q** Aluminum mounting plate

Optic Assembly:

Two-piece extruded aluminum heat sink housing and light engine. Exterior heat sink anodized for maximum emissivity. Removable interior extrusion treated to maximize thermal conductivity. Precision formed asymmetric optical light bar of high temperature, water-clear acrylic. Tempered micro-prismatic glass lens with elliptical distribution holographic diffuser; maximizes lateral distribution without disturbing asymmetric forward throw.

Finish:

Painted surfaces – 6 stage pretreatment and electrostatically applied thermoset polyester powder coating for a durable abrasion, fade and corrosion resistant finish. Formed aluminum visor.

Extruded aluminum heat sink/housing, canopy, yoke, door frame and decorative end plates are finished in semigloss white. All luminaire hardware is stainless steel; mounting hardware is zinc or electroplated steel.

Mounting:

Z mount – wall plate mounts to recessed outlet box (by others). Canopy conceals mounting plate and hardware.

7/15

U.S. Patent 8,465,190; foreign patents pending

Y mount – surface mounted yoke attaches with 1/4-20 fasteners (by others) concealed under splice cover.

Uplight pendant (back-to-back) or cantilever mounting assembly ordered separately; specify **X** mount.

One, two, three or four-way cluster pendant assembly ordered separately (see Accessories); specify **1, 2, 3** or **4** mount.

Electrical:

Use 90°C wire for supply connections. Integral electronic HPF constant current driver. For complete driver specifications, see website, reference document MA-1303.

Standard:

CSA certified to UL1598, UL8750, CSA C22.2 for dry locations; specify **VP** option for damp locations. Where pendant or cantilever may be exposed to wind, consult factory. 5 year warranty, maximum ambient temperature 45°C (113°F).

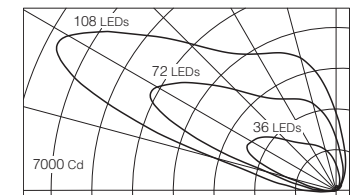
Features

- Maintains over 90% of initial light output after 36,000 hours
- 2700K through 4000K at 70+, 80+ or 90+ CRI
- All aluminum and stainless steel construction
- Fully adjustable and lockable aiming with aiming index
- Universal voltage drivers and light engines are serviceable for replacement or upgrade

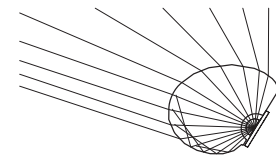


Performance

fraqtir technology uses a combination of refraction and total internal reflection, creating a distribution of light ideal for illuminating surfaces uniformly. Glare is minimized while light delivered to the target is maximized, resulting in high application efficiency.



L90(6k) > 36,000 per TM-21



For photometric and lumen maintenance reports, visit thelightingquotient.com



DLC for interior wall washing only.



