

CHELA II PENDANT MOUNT INSTALLATION INSTRUCTIONS

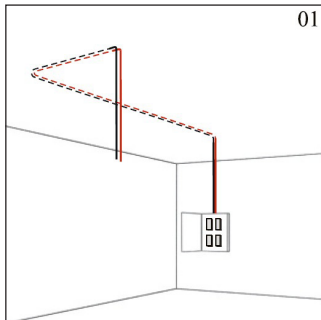


READ AND FOLLOW ALL SAFETY INSTRUCTIONS

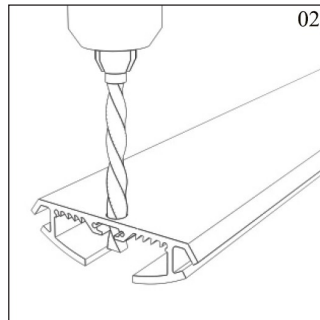
- WARNING -

To reduce the risk of death, electric shock, injury, property damage from fire, falling parts, and other hazards:

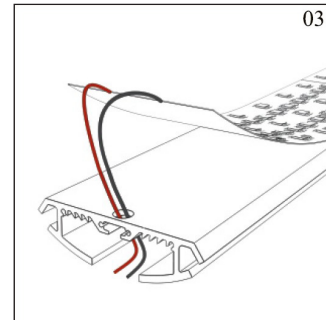
- Service of the equipment must be performed by qualified service personnel.
- Installation must be performed by a person familiar with the construction and operation of this product for any hazards involved.
- Read this document before installing, or maintaining this item, or installing a lamp. These instructions do not cover all installation, or maintenance situations. If your situation is not covered, or if you do not understand these instructions or need additional information, please contact Alcon Lighting.



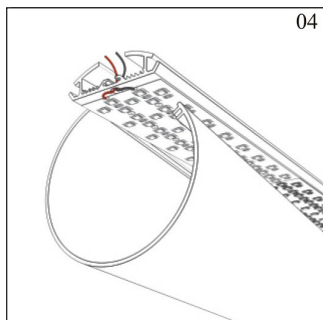
Wire wall switch to driver and junction box.



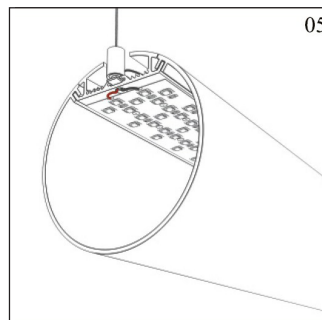
Drill holes for power cord and to mount to surface.



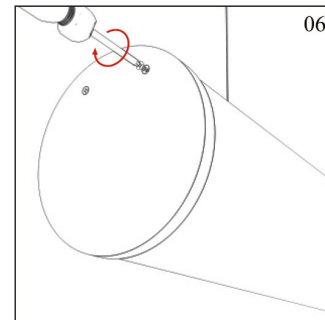
Mount LED tape to channel and wire channel.
(LED Tape sold separately)



Snap in lens.

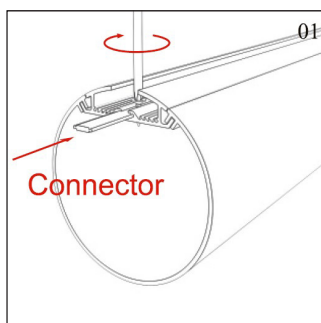


Mounting for cable kit can slide anywhere along channel.

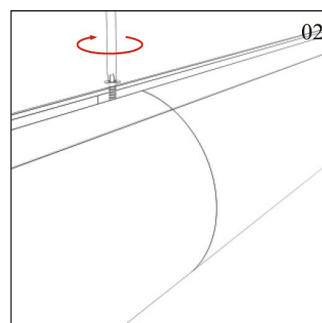


Screw end caps to channel.

Joining 2 Channels (Joiner sold separately)



Add Joiner accessory in raceway on top of channel to ensure proper alignment of channels.



Connect next channel to Joiner accessory and align.