

# 12257 - NOVA

## INSTALLATION INSTRUCTIONS



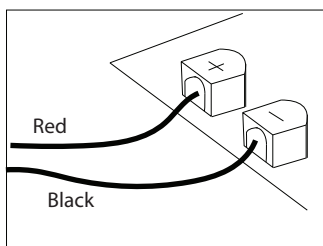
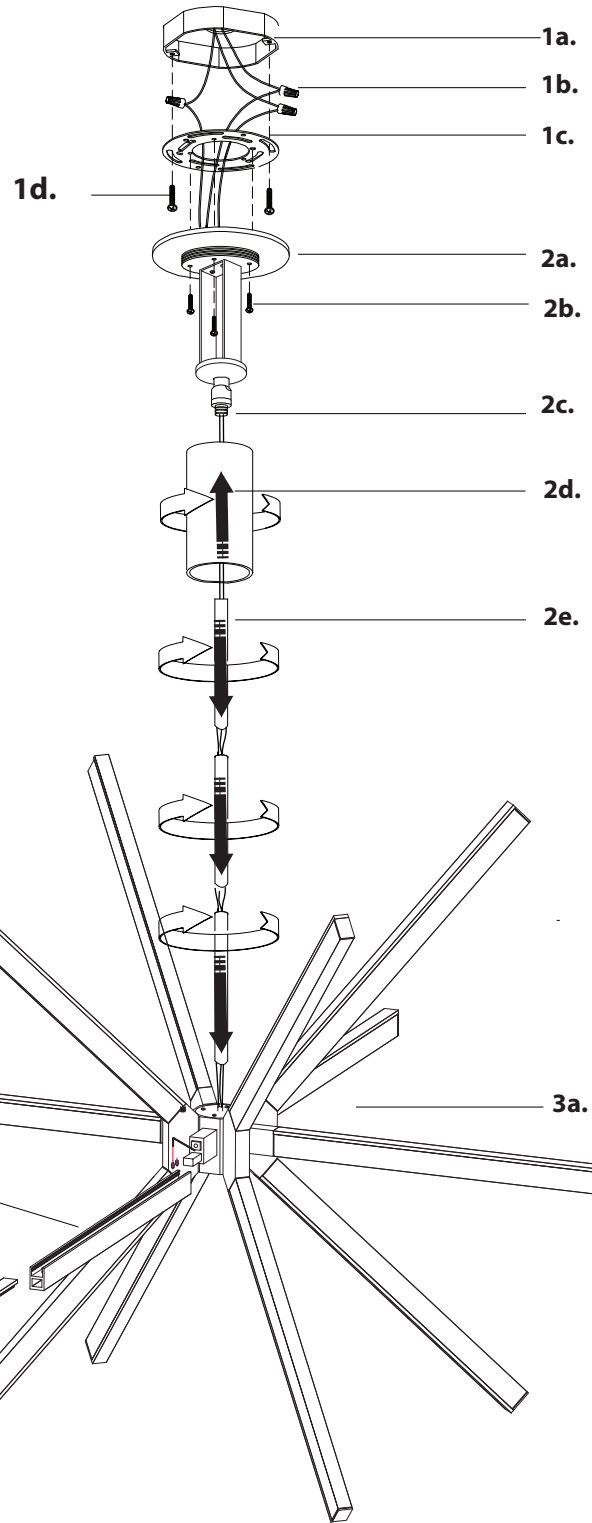
- Make sure power is completely off at the fuse box.
- Have your fixture installed by a qualified licensed electrician
- Prepare everything in a clear area.
- Wear gloves at all times during this installation.
- Read instructions carefully before you start assembly.
- Keep this instruction sheet for future reference.

**Please Note:**

- This fixture comes with pre-wired LED module(s).
- Unless instructed to do so, please do not touch any part of the LED module(s) as an unnecessary contact with the module could cause permanent damage.
- For dimming, an ELV (Electronic Low Voltage) type of dimmer is required.

**CAUTION:** HEAVY FIXTURE, THE JUNCTION BOX NEEDS TO BE REINFORCED BEFORE INSTALLATION.

1. Remove the fixture from its original packaging. Remove the mounting plate (1c) from within the canopy (2a) by removing the metal tube (2d) and loosen the screws (2b). Secure the mounting plate (1c) to the junction box (1a) with the screws (1d) provided in the hardware package.
2. Next, connect all LED spokes (3b) to the centre of the fixture hub (3a). Simply push in the LED spokes (3b) to the hub (3a) and secure with set screws provided. Connect the correct wires from the hub (3a) to each LED connector in the spokes (3b). **Red to positive and black to negative (See Illustration 1).**
3. Before you mount the canopy (2a) to the mounting plate (1c) connect the rods (2e) together by threading clockwise starting from the hub (3a) up to the top. Attach the rods (2e) with the fixture to the swivel connector (2c) by threading in clockwise.
4. You are now ready to mount the canopy (2a) to the mounting plate (1c). First connect all wires correctly G ground to ground, N neutral wire (white to white), L live wire (black to black) with provided marettes (1b) from the hardware package. Align the holes in the canopy (2a) to the threaded holes in the mounting plate (1c). Push the canopy up towards the ceiling. Use the screws (2b) to secure the canopy onto th mounting plate. Connect the metal tube (2d) to the canopy by threading in clockwise.
5. You have now completed the installation of your fixture, enjoy.



(Illustration 01)