

FIXTURE SPECIFICATIONS

Project Name:

Type:

Quantity:

INTENDED USE

This 4-lb. low-voltage architectural LED path light affords the ideal outdoor lighting solution for illuminating the pathway or garden in any residential and commercial settings. The traditional design matches the antique diecast brass finish.

FEATURES

Model Number: 9067

W 7.5" x H 23" D 7.5"

Lamp: LED Bi-Pin

Finish: Antique Bronze

Construction: Solid Die Cast Brass

Weight: 4 lbs

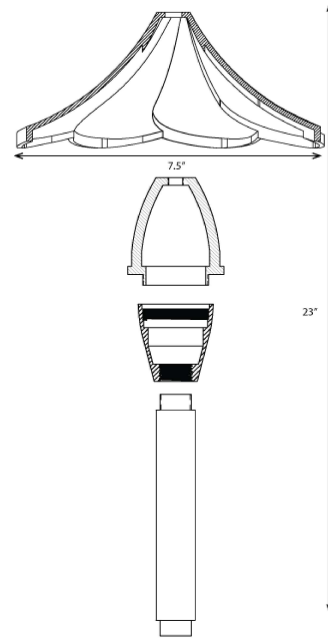
Voltage: 12V

Lumens: 110lms

Color Temp: 2700K

Dimming: Magnetic Low Voltage (MLV)

Mounting: 1/2" PVC Spike Included



Alcon 9067 Solid Antique Brass 4-lb. Low-Voltage Outdoor LED Path Light

ORDERING INFORMATION Example: (9067-20)

Model		Wattage	
9067	Keiko	20	1.5W
		35	3W